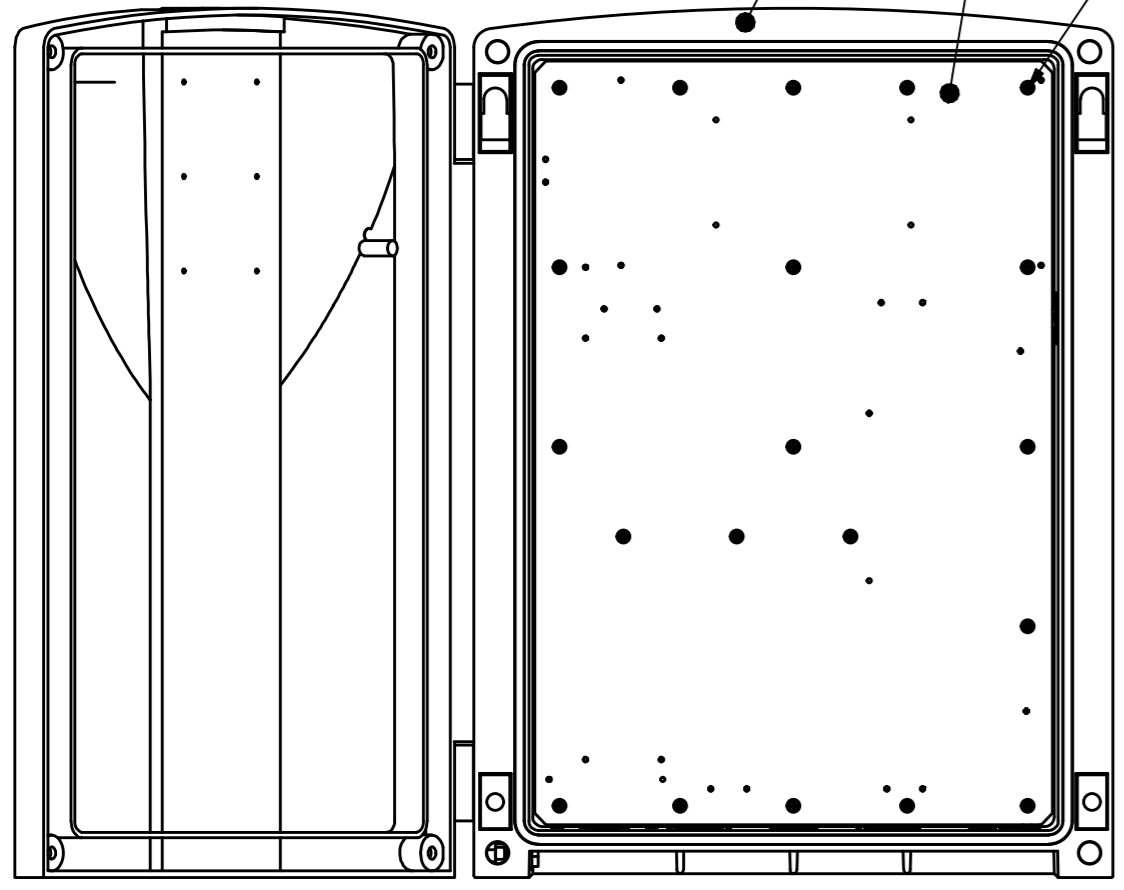


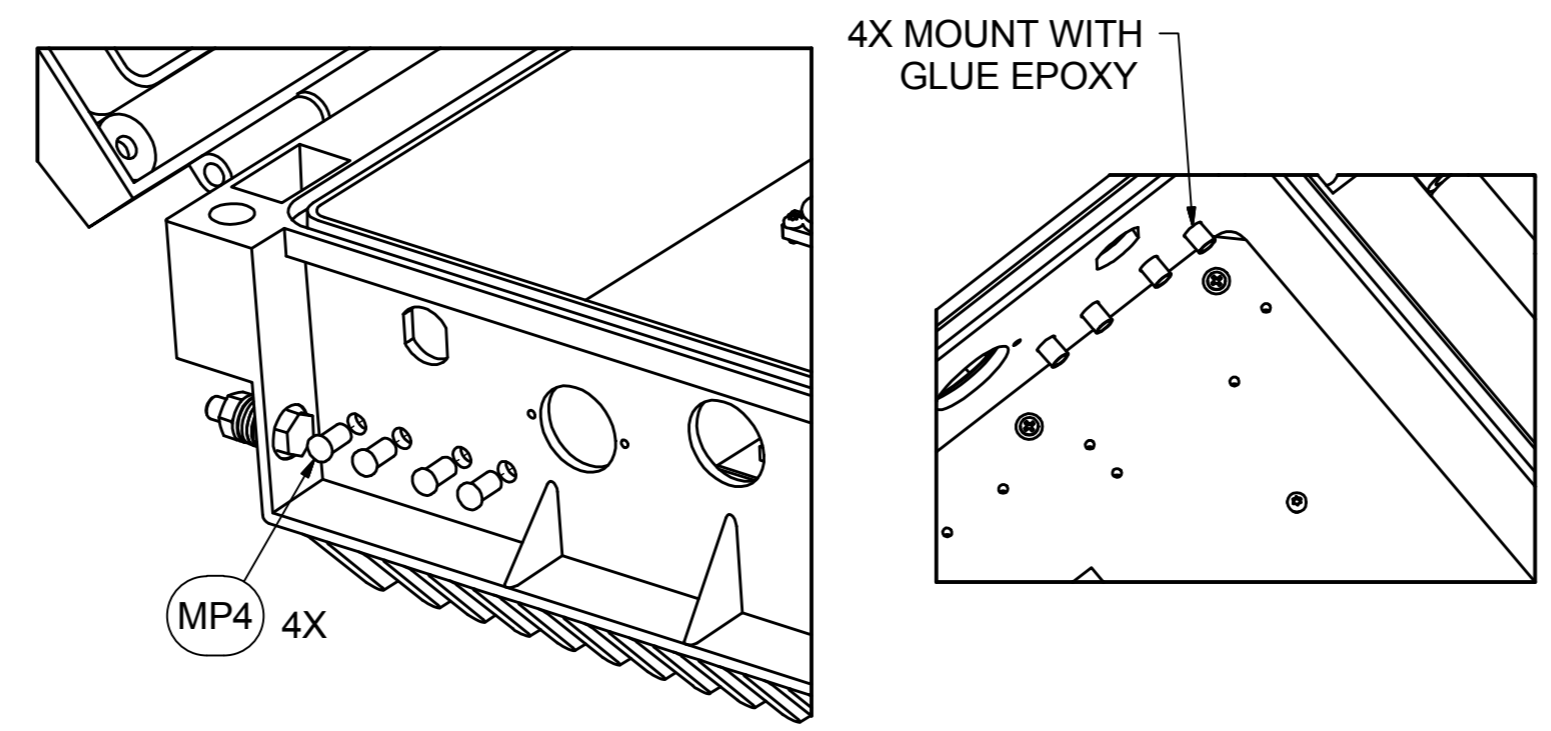
8 7 6 5 4 3 2 1

F
E
D
C
B
A

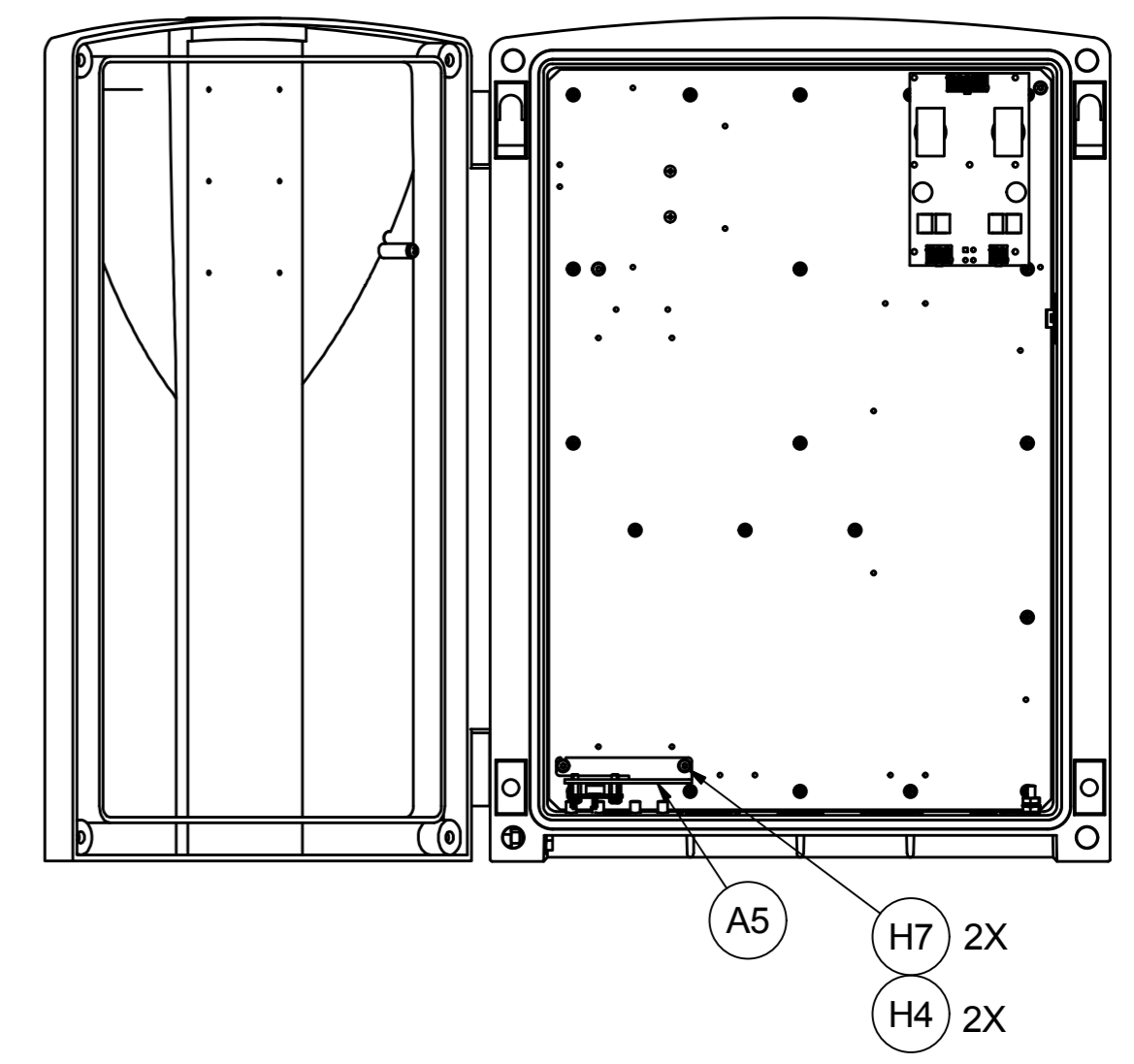
STEP1 ME1 MP14 H1 20X



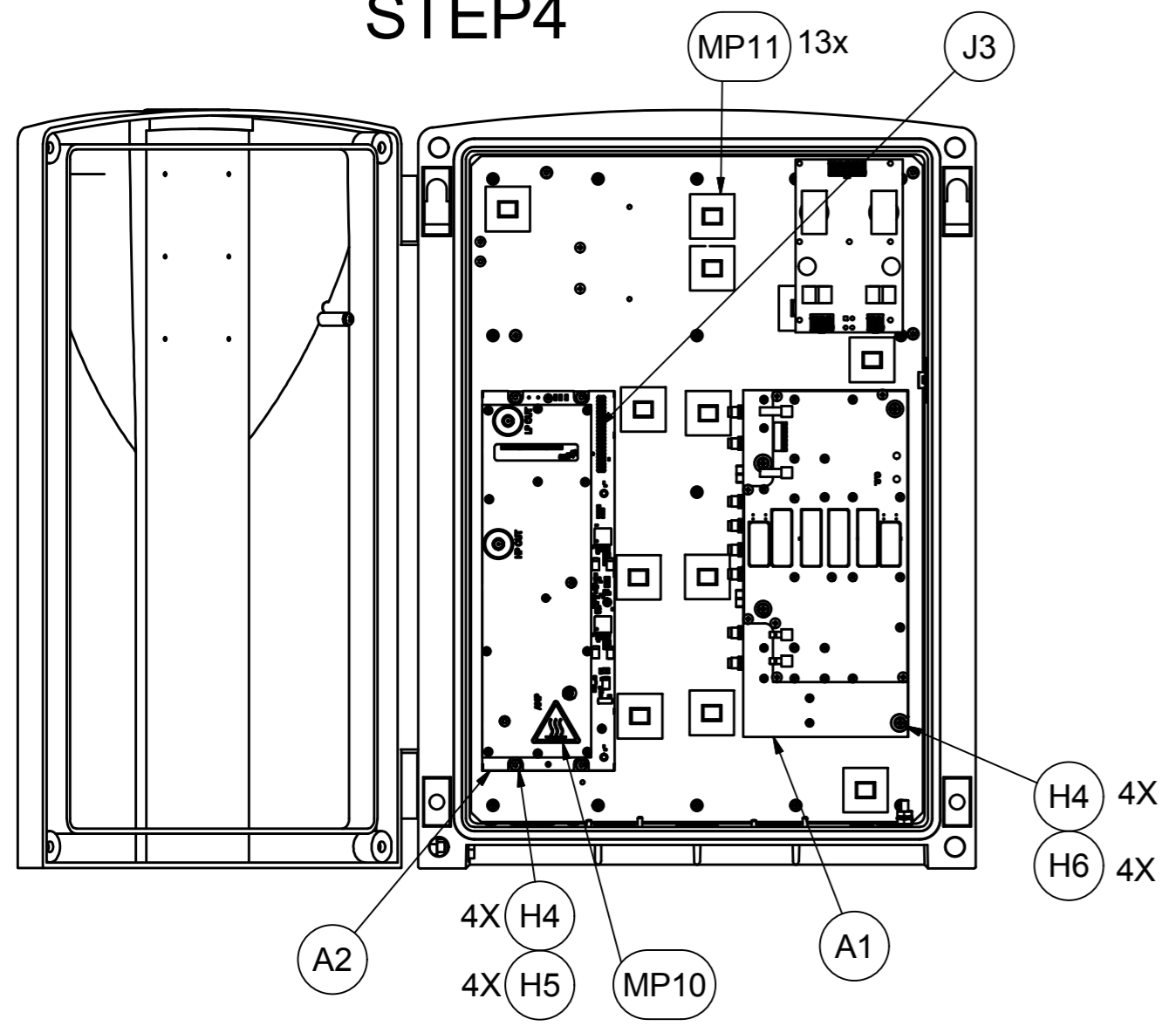
STEP2



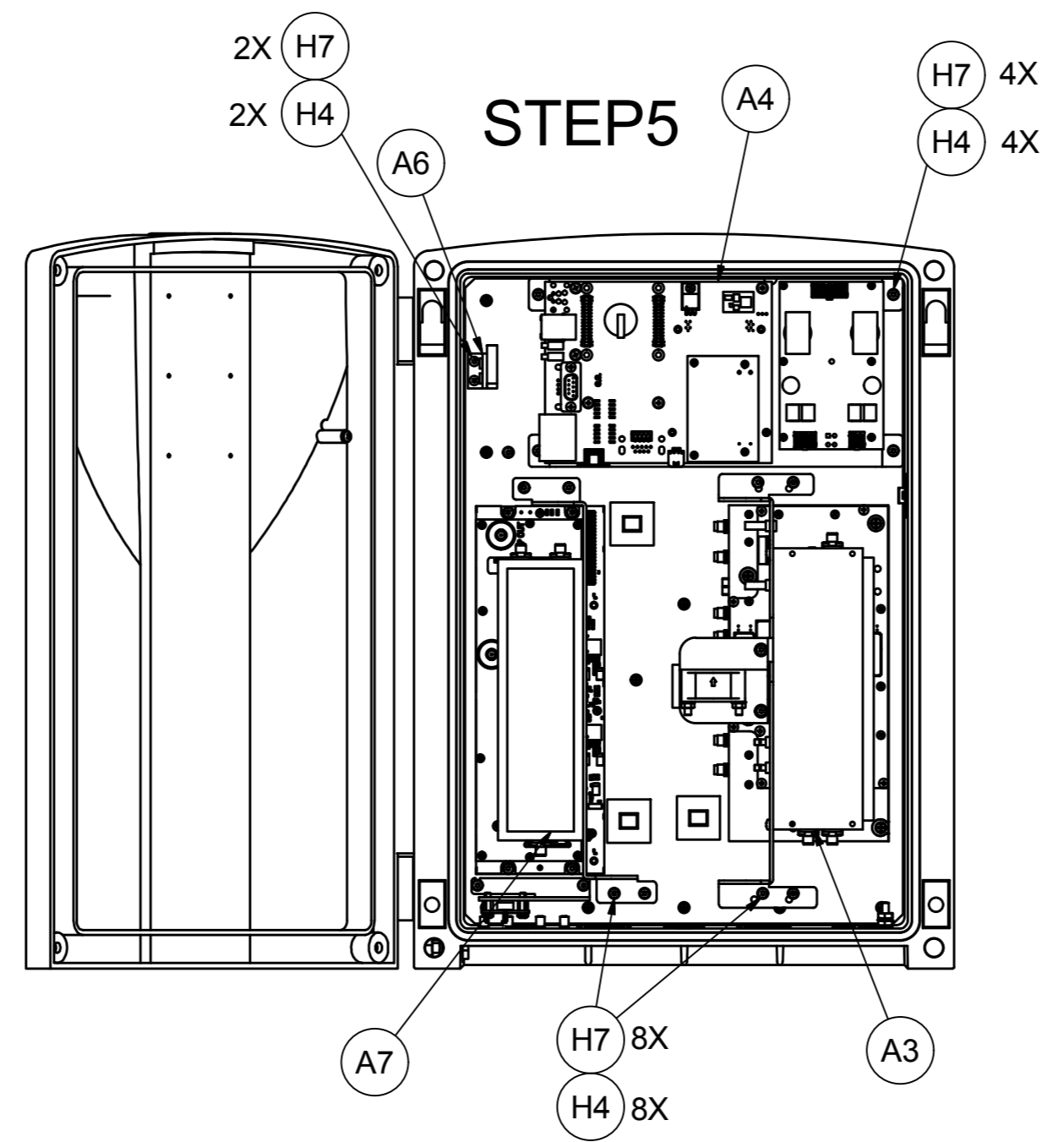
STEP3



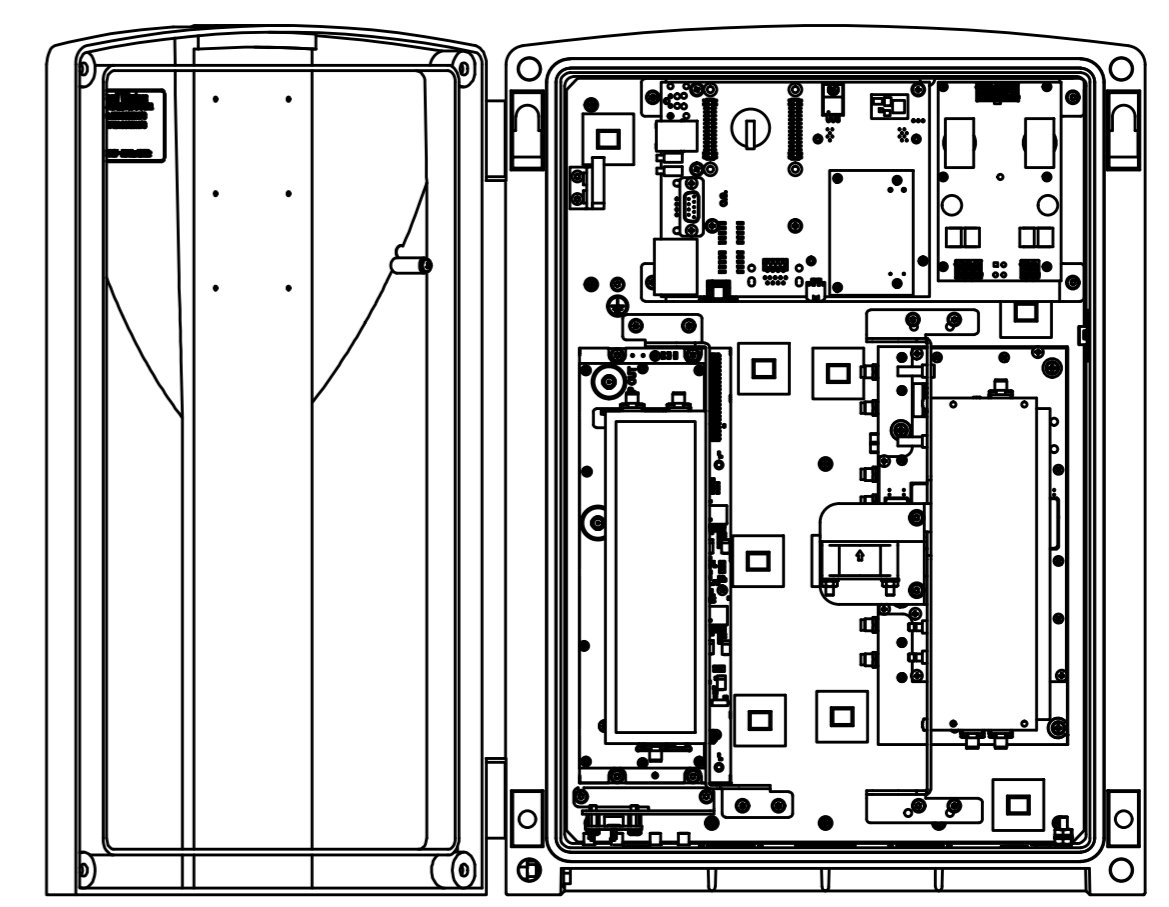
STEP4



STEP5



STEP6



ZONE	REV	DESCRIPTI	DATE	APPROVED
	E	Added Label	2014-03-24	PerW
	D		2014-02-28	PerW

REVISION HISTORY

Drawn PerW	Date 2014-03-24
Checked PerW	Approved PerW
2014-03-24	2014-03-24

THIS IS A PROPRIETARY DESIGN OF AXELL WIRELESS LTD
REPRODUCTION OR USE OF THIS DESIGN BY OTHER IS
PERMISSABLE ONLY IF EXPRESSLY AUTHORISED IN WRITING
BY AXELL WIRELESS LTD

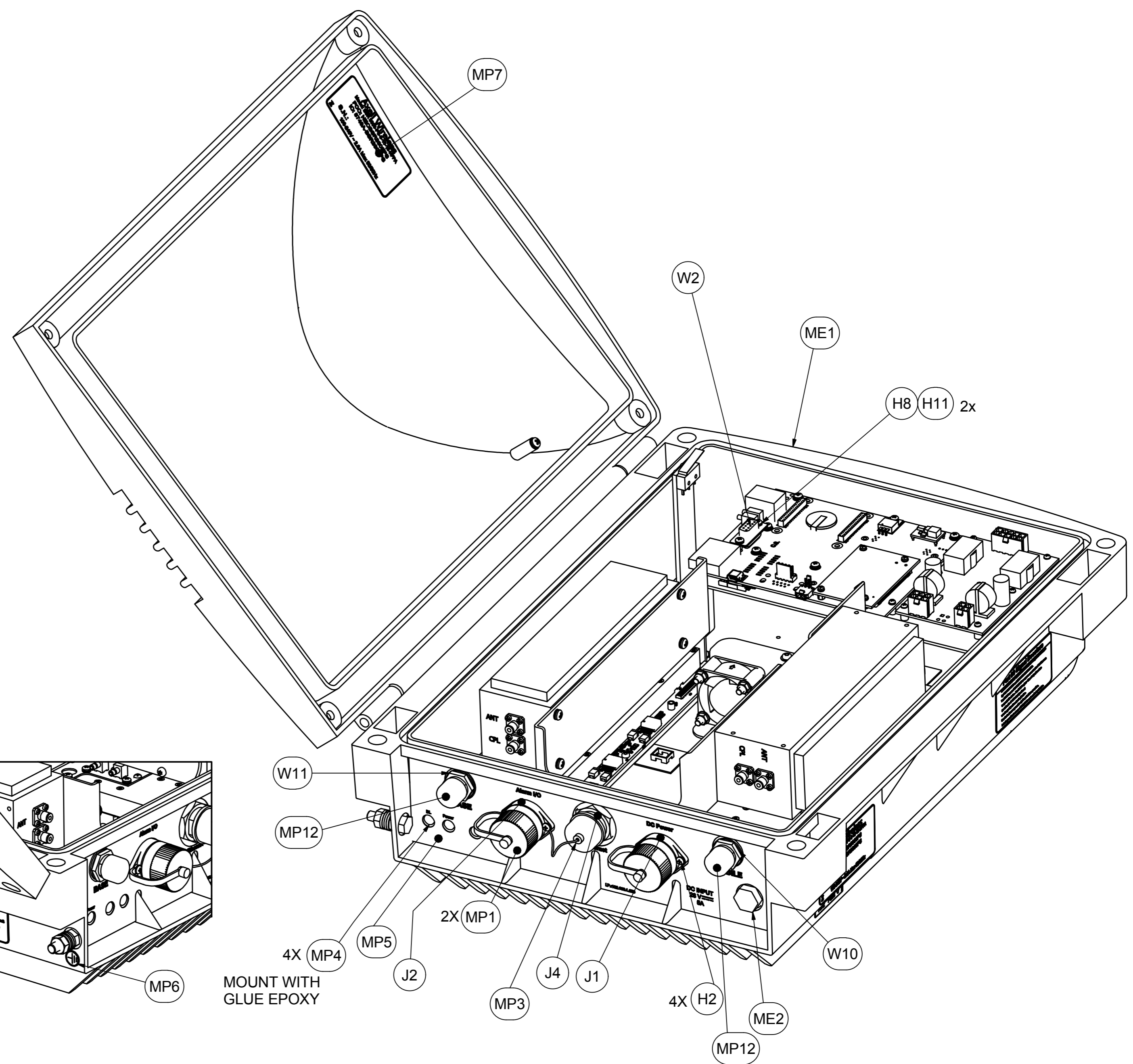
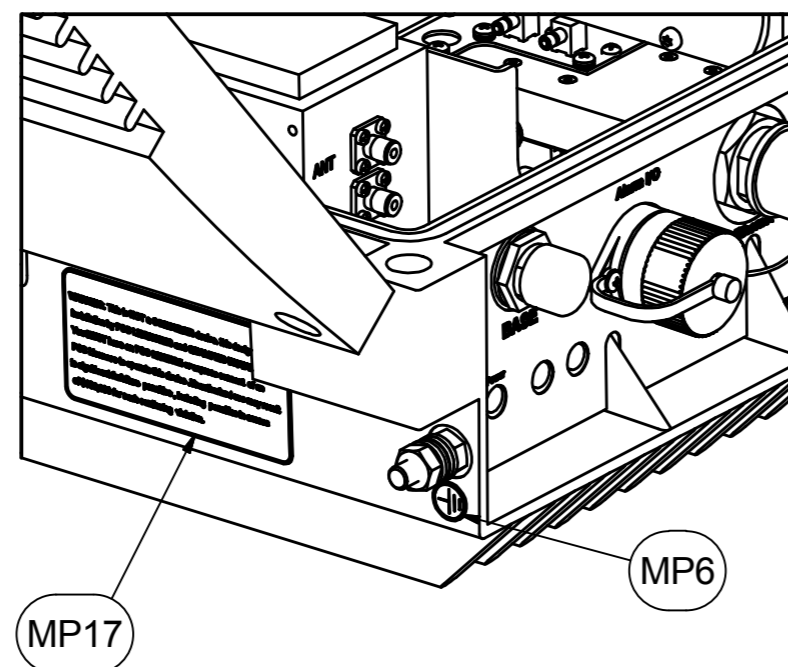
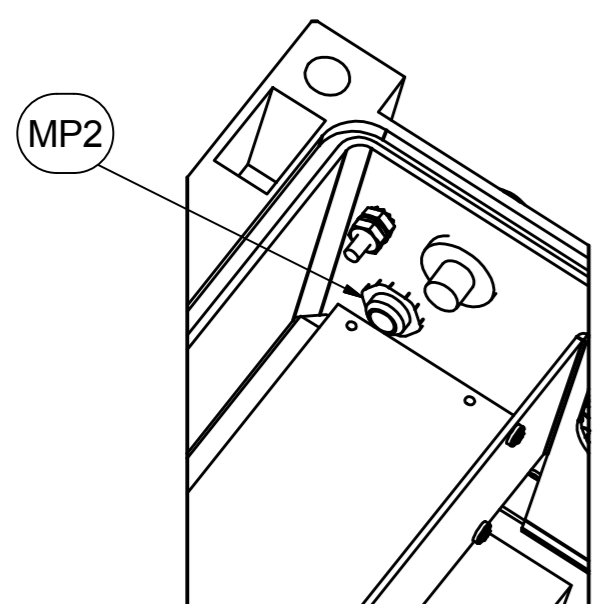
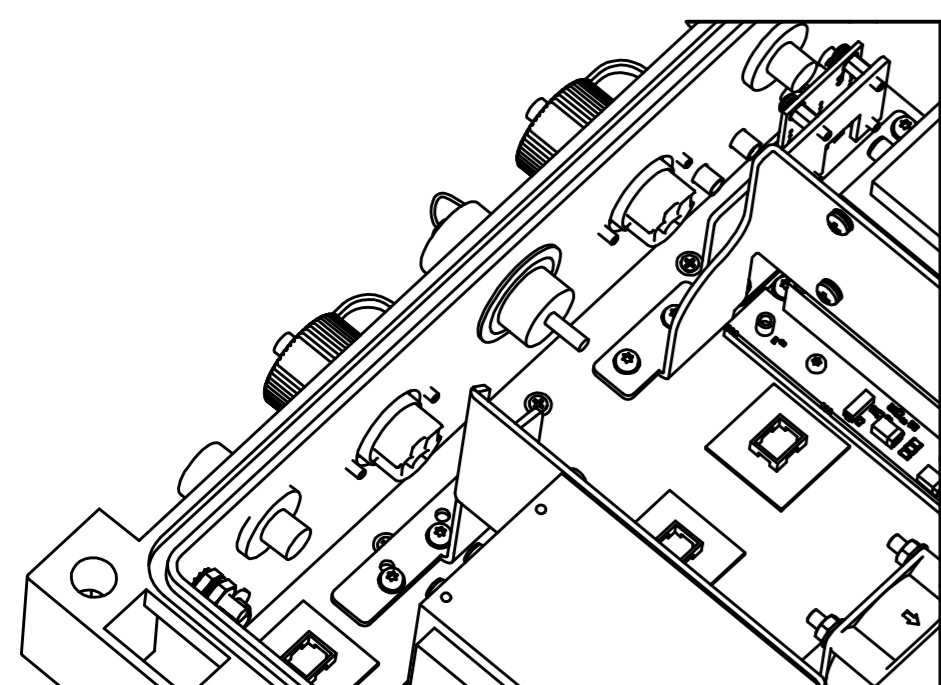
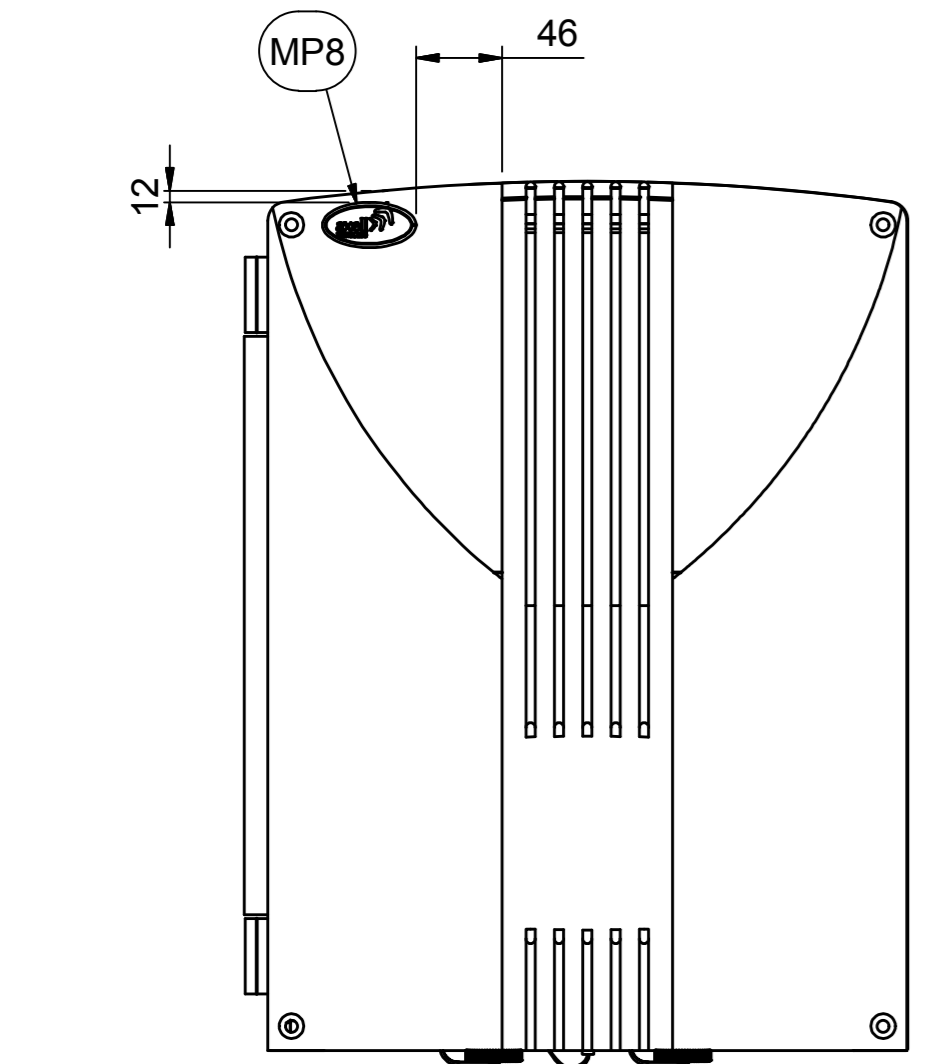
GENERAL TOLERANCES
ISO 2768-1 MEDIUM
UNLESS STATED OTHERWISE

SCALE



Title D-SBR 3308 NFPA		Rev.	Sheet
First Angle Projection		E	1 / 3
Drawing No RE00003200		A 2	

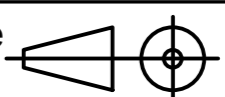
8 7 6 5 4 3 2 1

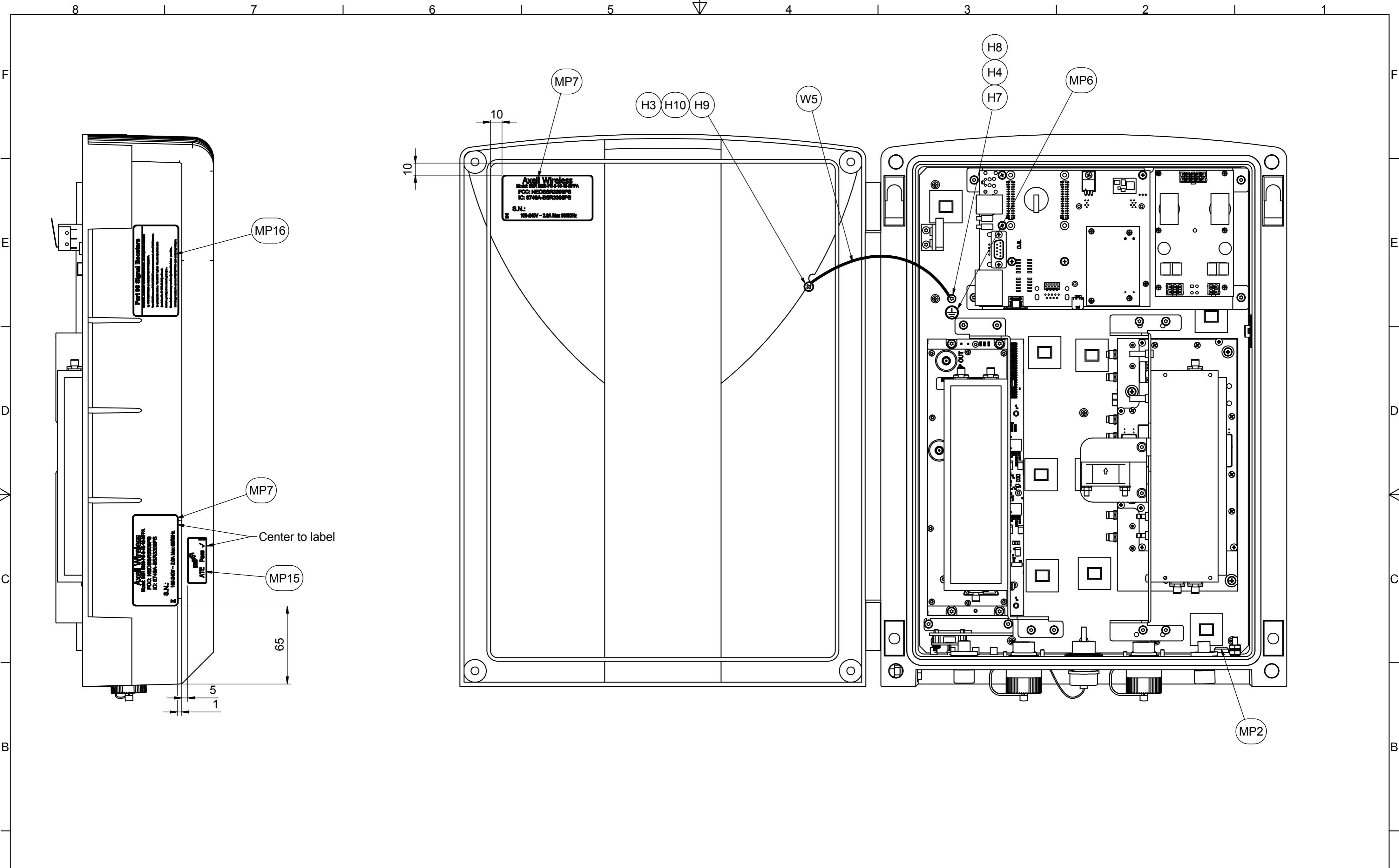


Drawn PerW	Date 2014-03-24	THIS IS A PROPRIETARY DESIGN OF AXELL WIRELESS LTD REPRODUCTION OR USE OF THIS DESIGN BY OTHER IS PERMISSABLE ONLY IF EXPRESSLY AUTHORISED IN WRITING BY AXELL WIRELESS LTD
Checked PerW	Approved PerW	
2014-03-24	2014-03-24	GENERAL TOLERANCES
ALL DIMENSIONS ARE IN mm UNLESS OTHERWISE STATED		ISO 2768-1 MEDIUM UNLESS STATED OTHERWISE


axell
 WIRELESS

Tel : +46 (0)8 475 4700
 Fax : +46 (0)8 475 4799

<h1 style="margin: 0;">D-SBR 3308 NFPA</h1>		Title
	Drawing No RE00003200	Rev. E Sheet 2 / 3



Drawn PerW	Date 2014-03-24	THIS IS A PROPRIETARY DESIGN OF AXELL WIRELESS LTD REPRODUCTION OR USE OF THIS DESIGN BY OTHER IS PERMISSABLE ONLY IF EXPRESSLY AUTHORISED IN WRITING BY AXELL WIRELESS LTD	
Checked PerW	Approved PerW	GENERAL TOLERANCES	SCALE
2014-03-24	2014-03-24	ISO 2768-1 MEDIUM	
ALL DIMENSIONS ARE IN mm UNLESS OTHERWISE STATED		UNLESS STATED OTHERWISE	



Title D-SBR 3308 NFPA		Rev.	Sheet	A
First Angle Projection	Drawing No RE00003200	E	3 / 3	2