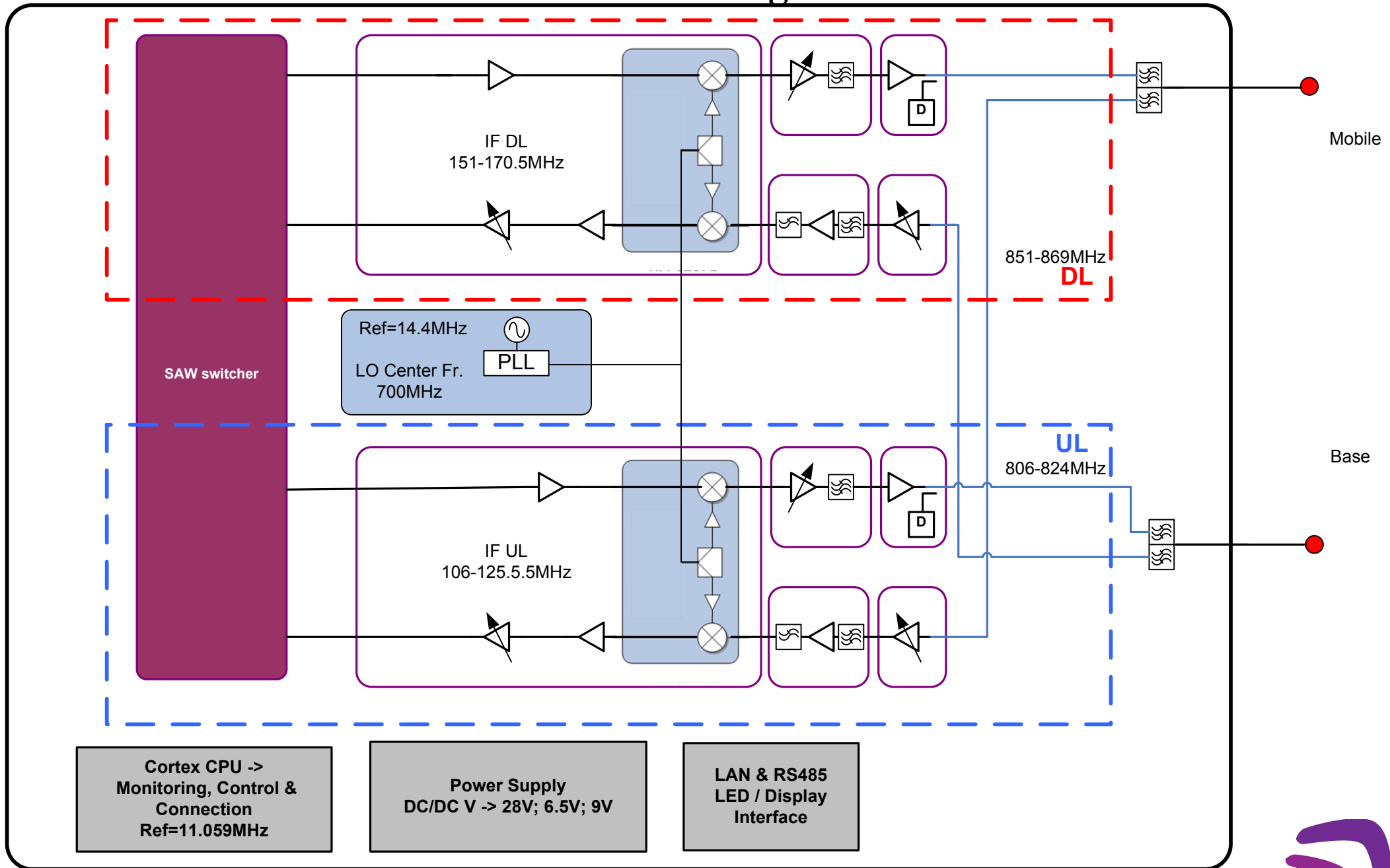


BSR 3308 Block Diagram



Cortex CPU ->
Monitoring, Control &
Connection
Ref=11.059MHz

Power Supply
DC/DC V -> 28V; 6.5V; 9V

LAN & RS485
LED / Display
Interface