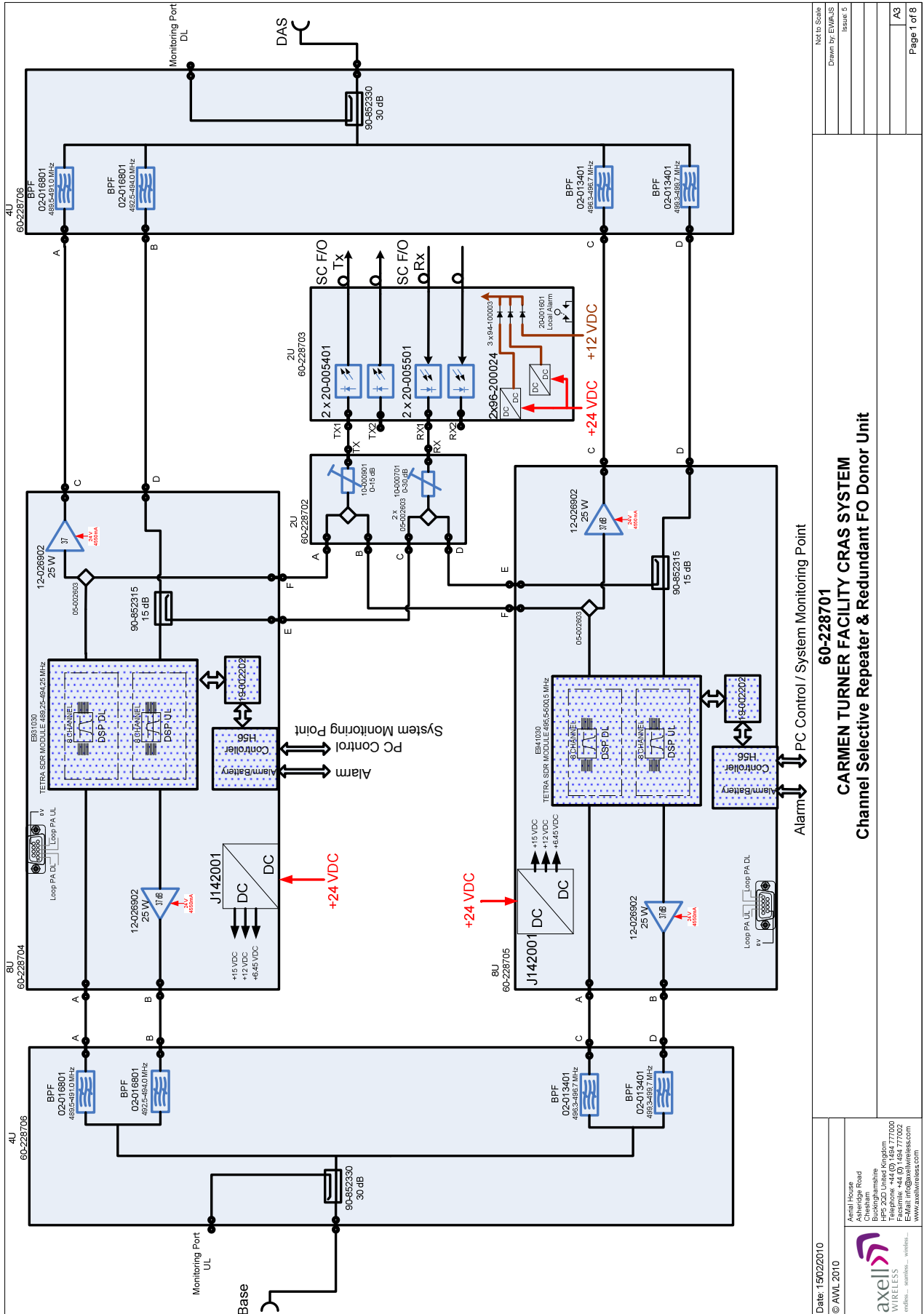


## 4.2. 60-228701 System Diagram



Date: 15/02/2010	Not to Scale
© AVL 2010	Drawn by: EJVWJ/S
	Issue: 5
	A3
	Page 1 of 8

60-228701	
CARMEN TURNER FACILITY CRAS SYSTEM	
Channel Selective Repeater & Redundant FO Donor Unit	
Alarm / System Monitoring Point	

Avnet House Aerial Road Chesham Buckinghamshire HP5 2SD Under, Kingdom WIRELESS enquiries...@axell... wireless... E-Mail: info@axellwireless.com www.axellwireless.com
--