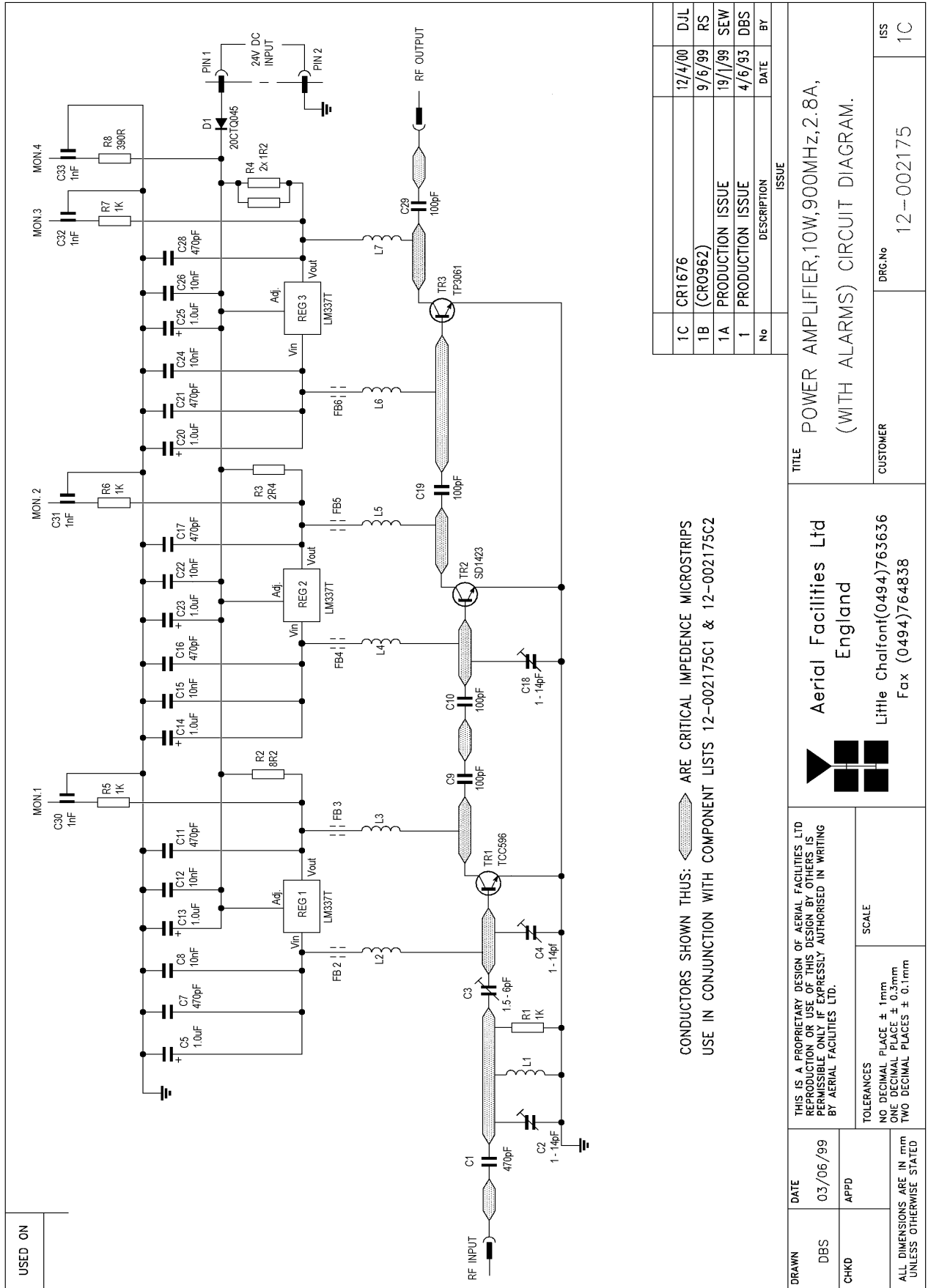


5.6.4 Drg. N^o. 12-001275, 10W PA Circuit Diagram



1C	CR1676	12/4/00	DJL
1B	(CR0962)	9/6/99	RS
1A	PRODUCTION ISSUE	19/1/99	SEW
1	PRODUCTION ISSUE	4/6/93	DBS
No		DATE	BY

CONDUCTORS SHOWN THUS: ARE CRITICAL IMPEDENCE MICROSTRIPS
USE IN CONJUNCTION WITH COMPONENT LISTS 12-002175C1 & 12-002175C2

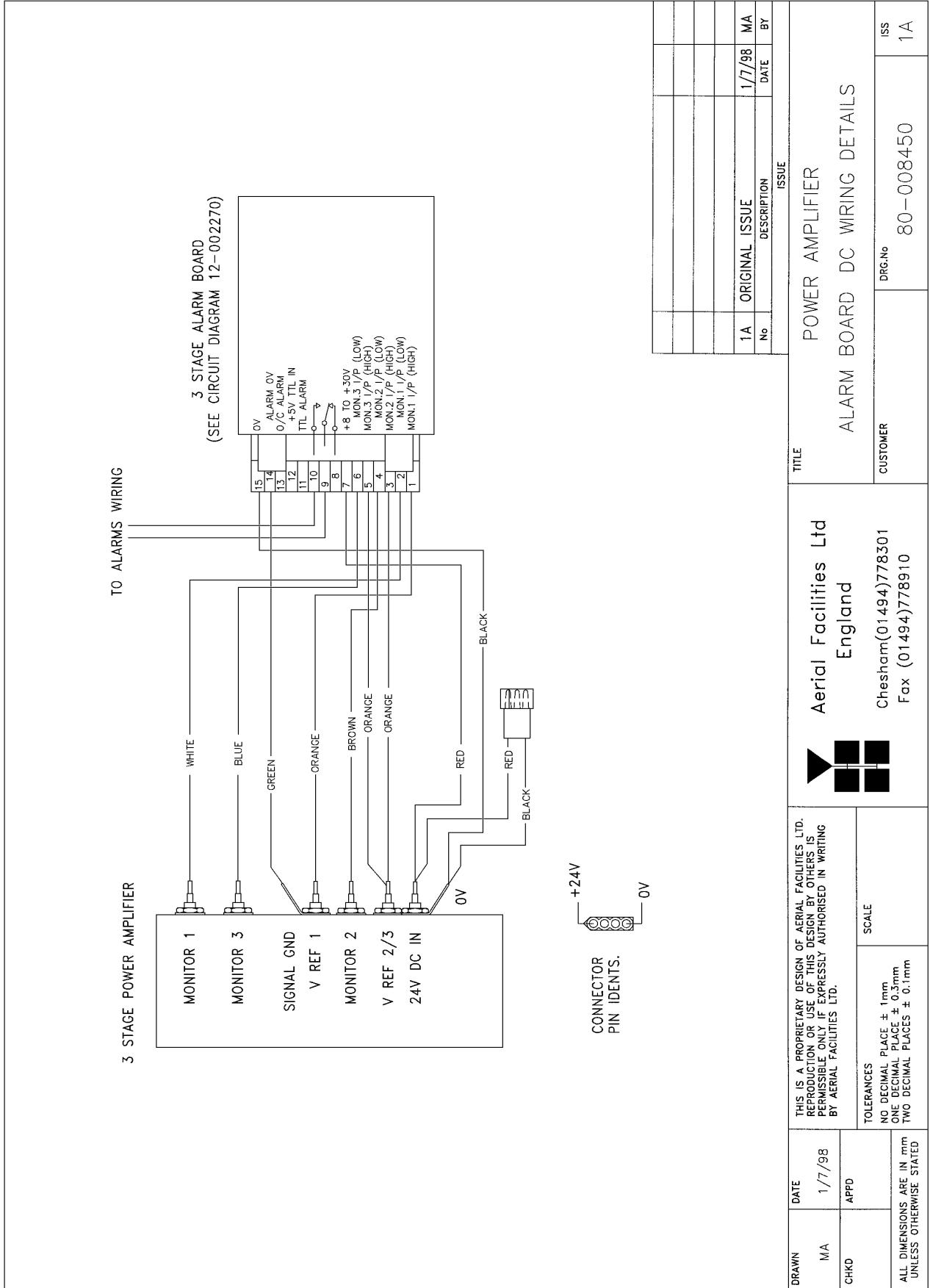
DRAWN	DBS	DATE	03/06/99	TITLE	POWER AMPLIFIER, 10W, 900MHz, 2.8A, (WITH ALARMS) CIRCUIT DIAGRAM.	
	CHKD	APPD			CUSTOMER	12-002175
THIS IS A PROPRIETARY DESIGN OF AERIAL FACILITIES LTD REPRODUCTION OR USE OF THIS DESIGN BY OTHERS IS PERMISSIBLE ONLY IF EXPRESSLY AUTHORISED IN WRITING BY AERIAL FACILITIES LTD.				ISS		
TOLERANCES				DRG. No		
NO DECIMAL PLACE ± 1mm				1C		
ONE DECIMAL PLACE ± 0.3mm						
TWO DECIMAL PLACES ± 0.1mm						
UNLESS OTHERWISE STATED						

Aerial Facilities Limited
www.AerialFacilities.com
Technical Literature

800MHz BDA (Pasadena Figuero Tunnel)
Maintenance Handbook

H/book Number:-60-056100HBKM Issue No:-1 Date:-15/10/2003 Page:-30 of 52

5.6.7 Drg. Nō. 80-008450, PA Alarm Wiring Details



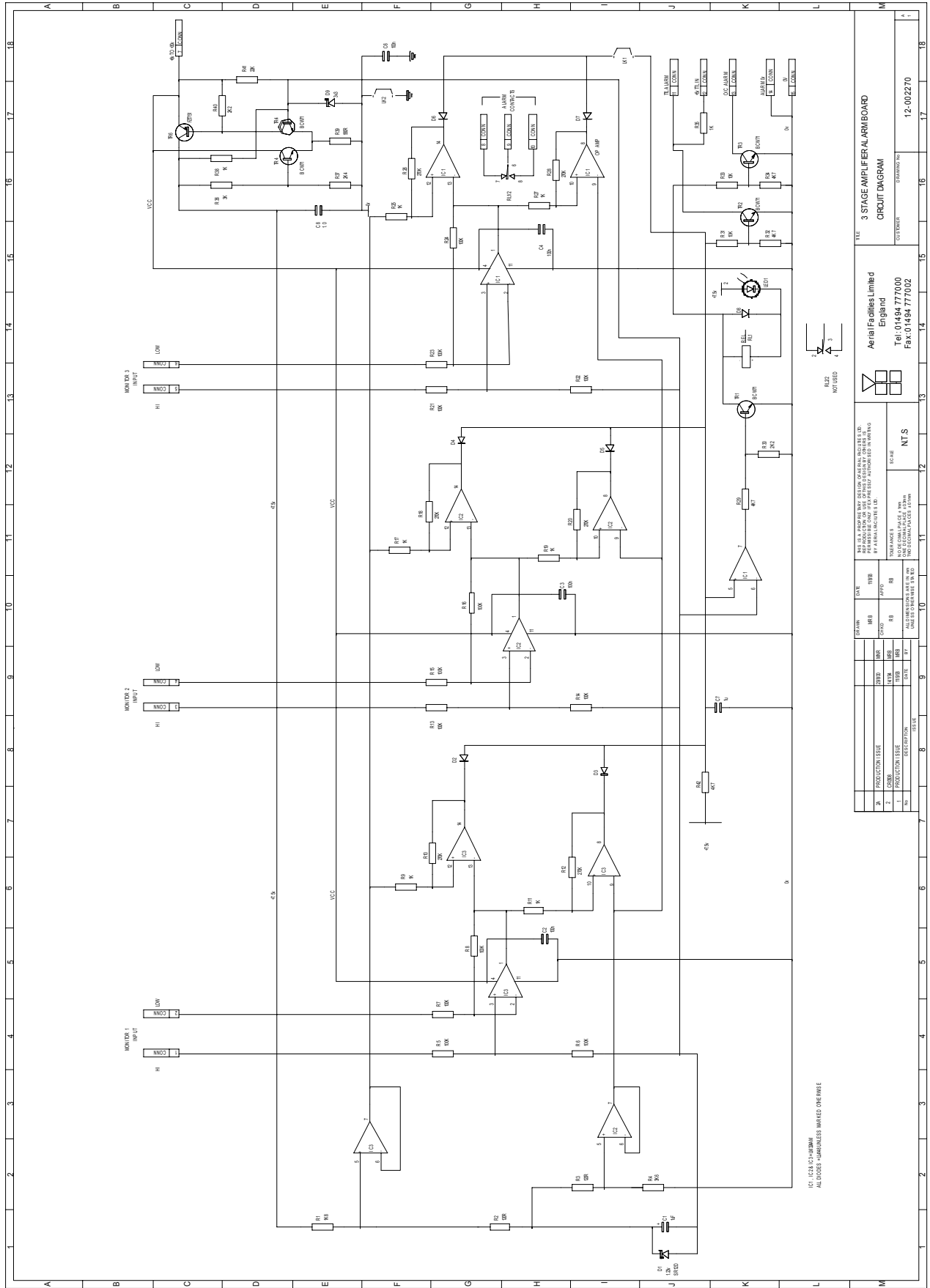
Aerial Facilities Limited

www.AerialFacilities.com

Technical Literature

800MHz BDA (Pasadena Figuero Tunnel)
Maintenance Handbook

5.7.4 Drg. Nō. 12-002270. 3 Stage Alarm Board Circuit Diagram



3 STAGE AMPLIFIER ALARM BOARD CIRCUIT DIAGRAM		DRAWING NO. 12-002270
Aerial Facilities Limited England Tel: 01454 777000 Fax: 01454 777002		
DRAWN BY: [] CHECKED BY: [] APPROVED BY: []	DATE: [] SCALE: [] TITLE: []	NTS
THIS IS A PROOF AND NOT A FINAL DRAWING. IT IS NOT TO BE USED FOR CONSTRUCTION OR REPRODUCTION WITHOUT THE WRITTEN PERMISSION OF AERIAL FACILITIES LTD.		