

No	DESCRIPTION	DATE	BY
2A	ECN2718	19/9/02	DBS
1A	PRODUCTION ISSUE	5/7/02	DBS

DRAWN	DATE
DBS	5/7/02
CHKD	APPD
CB	IB
ALL DIMENSIONS ARE IN mm UNLESS OTHERWISE STATED	

THIS IS A PROPRIETARY DESIGN OF AERIAL FACILITIES LTD. REPRODUCTION OR USE OF THIS DESIGN BY OTHERS IS PERMISSIBLE ONLY IF EXPRESSLY AUTHORISED IN WRITING BY AERIAL FACILITIES LTD.

TOLERANCES
 NO DECIMAL PLACE ± 1mm
 ONE DECIMAL PLACE ± 0.3mm
 TWO DECIMAL PLACES ± 0.1mm

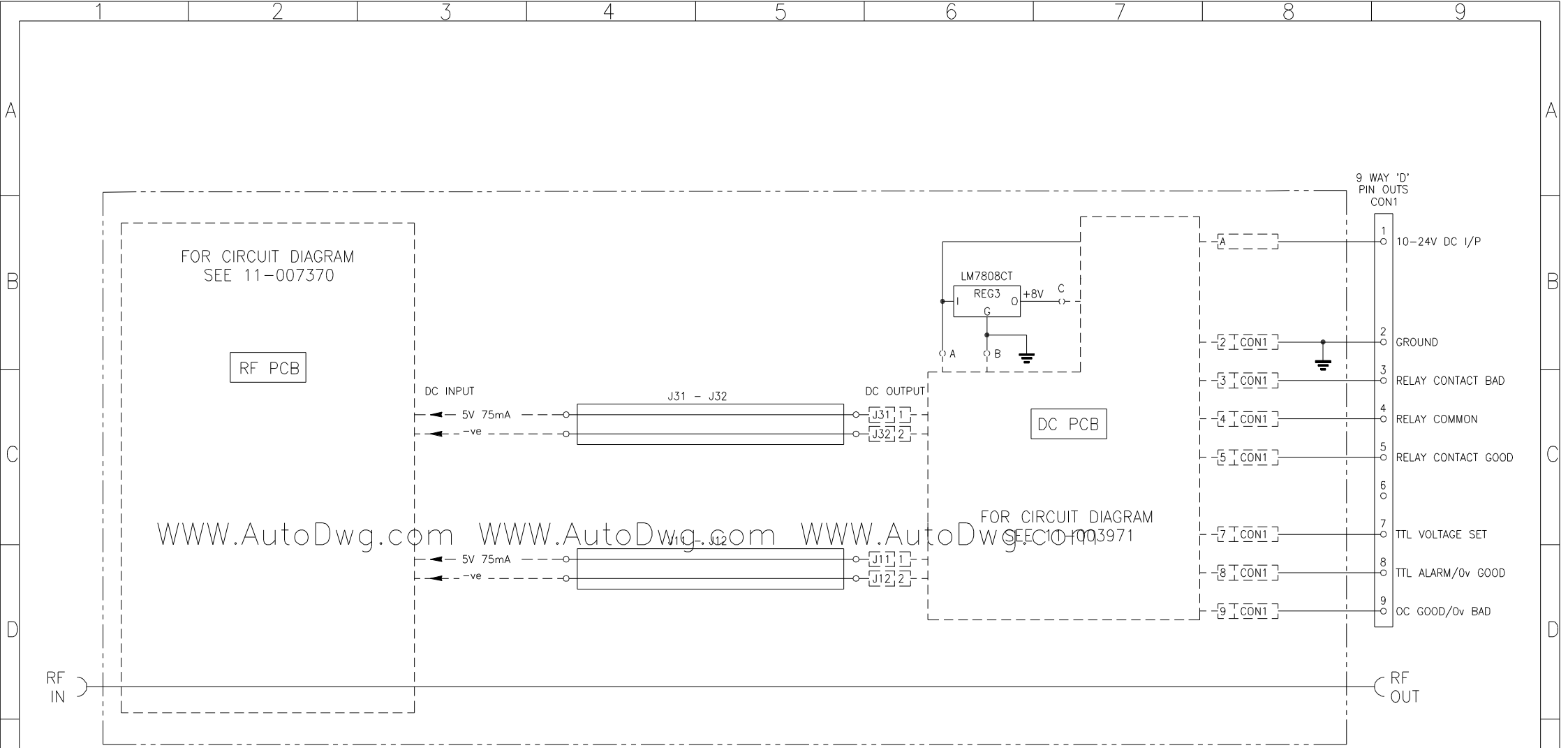
SCALE
 —



Aerial Facilities Limited
 England
 Tel : 01494 777000
 Fax : 01494 777002

TITLE		LOW NOISE AMPLIFIER 380-500MHz (20dB) RF PCB CIRCUIT DIAGRAM	
CUSTOMER		DRAWING.No	11-007370
			A 3

1 2 3 4 5 6 7 8 9



1A	PRODUCTION ISSUE	8/7/02	DBS
No	DESCRIPTION	DATE	BY
ISSUE			

DRAWN	DATE
DBS	8/7/02
CHKD	APPD
CB	IB
ALL DIMENSIONS ARE IN mm UNLESS OTHERWISE STATED	

THIS IS A PROPRIETARY DESIGN OF AERIAL FACILITIES LTD. REPRODUCTION OR USE OF THIS DESIGN BY OTHERS IS PERMISSIBLE ONLY IF EXPRESSLY AUTHORISED IN WRITING BY AERIAL FACILITIES LTD.

TOLERANCES
 NO DECIMAL PLACE ± 1mm
 ONE DECIMAL PLACE ± 0.3mm
 TWO DECIMAL PLACES ± 0.1mm

SCALE
 —



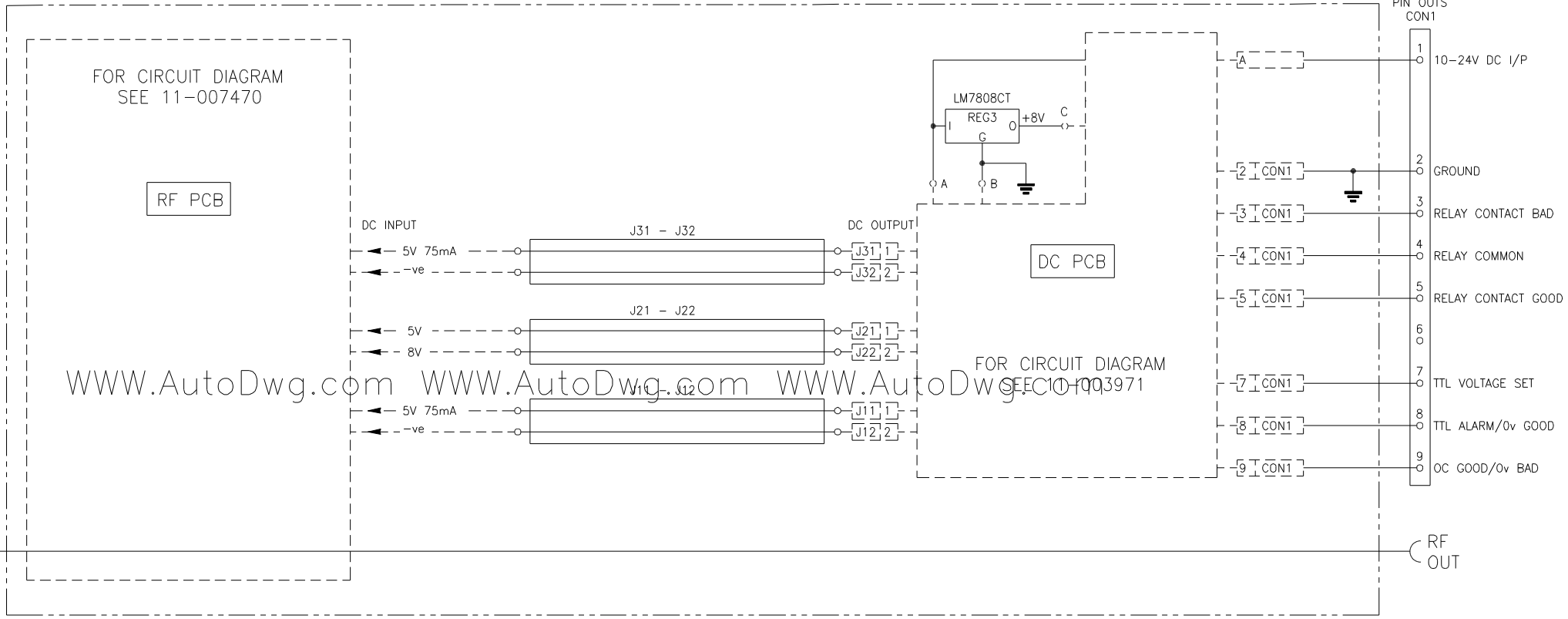
Aerial Facilities Limited
 England
 Tel : 01494 777000
 Fax : 01494 777002

TITLE		LOW NOISE AMPLIFIER. 380-500MHz (20dB) RF SCHEMATIC DIAGRAM	
CUSTOMER	DRAWING.No	11-007371	
		A 3	

1 2 3 4 5 6 7 8 9

1 2 3 4 5 6 7 8 9

A B C D E F



WWW.AutoDwg.com WWW.AutoDwg.com WWW.AutoDwg.com

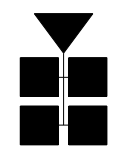
1A	PRODUCTION ISSUE	8/7/02	DBS
No	DESCRIPTION	DATE	BY
ISSUE			

DRAWN	DATE
DBS	8/7/02
CHKD	APPD
CB	IB
ALL DIMENSIONS ARE IN mm UNLESS OTHERWISE STATED	

THIS IS A PROPRIETARY DESIGN OF AERIAL FACILITIES LTD. REPRODUCTION OR USE OF THIS DESIGN BY OTHERS IS PERMISSIBLE ONLY IF EXPRESSLY AUTHORISED IN WRITING BY AERIAL FACILITIES LTD.

TOLERANCES
 NO DECIMAL PLACE ± 1mm
 ONE DECIMAL PLACE ± 0.3mm
 TWO DECIMAL PLACES ± 0.1mm

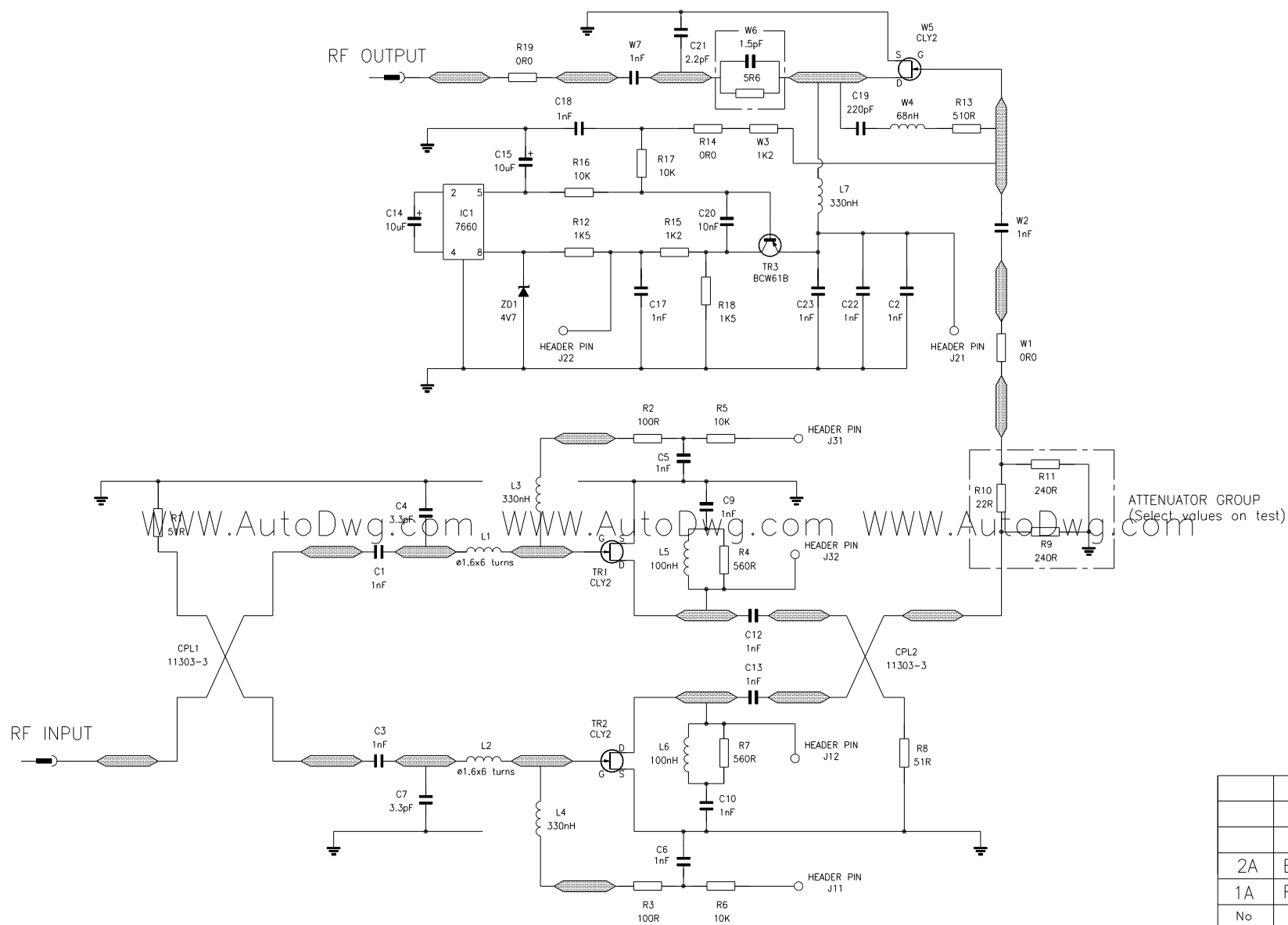
SCALE —



Aerial Facilities Limited
 England
 Tel : 01494 777000
 Fax : 01494 777002

TITLE		LOW NOISE AMPLIFIER. 380-500MHz (30dB) SCHEMATIC DIAGRAM	
CUSTOMER	DRAWING.No	11-007471	
		A 3	

1 2 3 4 5 6 7 8 9



No	DESCRIPTION	DATE	BY
2A	ECN2722	24/9/02	DBS
1A	PRODUCTION ISSUE	5/7/02	DBS

DRAWN	DATE
DBS	5/7/02
CHKD	APPD
CB	IB
ALL DIMENSIONS ARE IN mm UNLESS OTHERWISE STATED	

THIS IS A PROPRIETARY DESIGN OF AERIAL FACILITIES LTD. REPRODUCTION OR USE OF THIS DESIGN BY OTHERS IS PERMISSIBLE ONLY IF EXPRESSLY AUTHORISED IN WRITING BY AERIAL FACILITIES LTD.

TOLERANCES
 NO DECIMAL PLACE ± 1mm
 ONE DECIMAL PLACE ± 0.3mm
 TWO DECIMAL PLACES ± 0.1mm

SCALE —



Aerial Facilities Limited
 England
 Tel : 01494 777000
 Fax : 01494 777002

TITLE		LOW NOISE AMPLIFIER 380-500MHZ (30dB) RF PCB CIRCUIT DIAGRAM	
CUSTOMER	DRAWING.No	11-007470	