

### **Why my mobile phone can not find the Headset?**

If the Headset is not in pairing mode, your mobile phone will not find the Headset. Please set the Headset into pairing mode before starting your mobile phone to search for the BH-1000 Bluetooth Headset. (Please refer to the User Manual for detailed instructions).

### **Additional information**

Guidelines for safe and efficient use

**Note:** Read this information before using the BH-1000 Bluetooth Headset. Changes or modifications to this BH-1000 Bluetooth Headset not expressly approved by Partner Tech. may void the user's authority to operate the equipment.

Please check for any exceptions, due to national requirements or limitations, in usage of Bluetooth equipment before using this product.

### **Product care**

- ⊙ Do not expose your product to liquid or moisture or to humidity.
- ⊙ Do not expose your product to extreme high or low temperatures.
- ⊙ Use of non-original accessories may result in loss of performance, damage to the product, fire, electric shock or injury. The warranty does not cover product failures which have been caused by use of non-original accessories.
- ⊙ Do not expose your product to lit candles, cigarettes, or cigars etc.
- ⊙ Do not drop, throw or try to bend the product as rough treatment could damage it.
- ⊙ Do not keep the product in an area prone to dust and dirt. Only use a soft cloth to clean your product.
- ⊙ If you will not be using the product for a while, store it in a place that is dry, free from damp, dust and extreme temperatures.

### **Radio frequency exposure**

Your Bluetooth headset is a radio transmitter and receiver. When in operation, it communicates with a Bluetooth equipped mobile device by receiving and transmitting radio frequency (RF) electromagnetic fields in the frequency range 2400 to 2500 MHz. The output power of the radio transmitter is low, 1mW.

### **Driving**

Check the laws and regulations on the use of mobile phones and hands free equipment in the areas where you drive.

### **Aircraft**

Turn your Bluetooth headset off before boarding any aircraft.

### **Travel Charger**

- ⊙ The charger is designed for indoor use only. Do not use it for outdoors.
- ⊙ The charger must be connected to the designated power sources as marked.
- ⊙ When removing the travel charger from an outlet, never pull the charger cord only, as it may damage the charger.

### **Children Caution**

Do not allow children to play with your Headset, as the small parts may cause choking hazard.

## Battery Information

### New battery

For first time use, plug the adapter into the Headset and charge it at least 2 hours until the red indicator turns on.

### Battery care:

- ⊙ Only qualified Service Centers are authorized to remove or replace the battery.
- ⊙ The rechargeable battery has a long service life if treated properly.
- ⊙ The battery can only be charged in a temperature range  $-10^{\circ}\text{C}$  to  $45^{\circ}\text{C}$ .
- ⊙ Use the battery in room temperature for maximum battery capacity.
- ⊙ The battery capacity may be reduced if operating in cold environment.
- ⊙ The Headset has to be recharged every two months, when it has not been used for a long period.



## Warranty Card

Product Serial Number		Mfg. Ref. #	
Date of Purchase	(yy/mm/dd)	Warranty valid until	(yy/mm/dd)
Distributor's endorsement	Remarks:		



## Limited Warranty

This product is produced under strict quality control process. We warrant this product to be free of defects in material and workmanship. Under normal usage, if there is any problem or defect found, you may get warranty service from the distributor(s) whom you bought from.

Please note the followings when requesting warranty service.

1. Please ask your distributor to input / endorse the necessary data on the warranty card. And do keep well this warranty card for the purpose of after-sale service request. This warranty card is requested to be given/sent back the distributor(s) with the defective product. The distributors will not be responsible for providing any warranty services when the warranty card is not presented.
2. Exclusion for in-warranty service:
  - \* This warranty card is not presented to the distributor or authorized service center of the product.
  - \* The data on the presented warranty card is erased, remarked, or uncompleted. i.e. Lost of Serial number, manufacturer's reference numbers(Mfg. Ref No.), warranty expiring date.
  - \* Any defect contributed to the uses themselves for the causes of improper handling, abuse, misuse.
  - \* Any defect caused by external circumstance problems, including accidents, electric power shock, explosion, . . . , etc.
3. The users should bear all the transportation charge(s) to and fro between the users and the distributors or authorized service center of this product.
4. Distributors or the authorized service centers keep the rights of repair or replacement when proceed warranty service.



# 目錄

安全許可與認證	20
簡介	21
BH-1000藍芽耳機全視圖	22
開始使用	23
● 耳機充電	
● 按鍵功能	
● 開機與關機	
● 耳機配對	
● 麥克風的使用方式	
● 撥打與接聽電話	
重要訊息	28
● 故障排除	
● 產品維護	
● 旅充	
● 兒童注意事項	
● 電池資訊	
保證卡	31

## 安全許可與認證

使用者不得以任何方式變更或修改本裝置。未經本公司同意而變更或修改將會使產品保固權利無效。

### FCC 注意事項

本裝置符合 FCC 法規第 15 節規定。其運作受限於以下兩種情形：

- (1) 本裝置應不致於造成有害干擾，且
- (2) 本裝置須能承受任何外在干擾，包括可能造成非預期運作之干擾。

FCC RF Exposure 標準：

本裝置及其天線不得與其他任何天線或傳送器位在同一地方或同時運作。

注意：未經授權而私自對本裝置進行修改，進而導致對無線電或電視的干擾，本公司概不負責。此類變更或修改可能導致使用者操作本設備的授權廢止。

### CE 聲明

重要注意事項：本裝置為 2.4GHz FHSS 藍牙耳機，適合在 EU 及 EFTA 所有會員國中，供辦公室或家庭使用。

Bluetooth 商標為 Bluetooth SIG, Inc., U. S. A. 所擁有，並授權於本公司。



## 簡介

### 藍芽科技

藍芽 (Bluetooth) 是一種新的短距離無線通訊技術，藍芽無線科技可使任何相互兼容性的移動式和固定式通訊設備之間進行無線連接。此技術提供語音和數據信息快速可靠傳送的無線電鏈路為基礎。Bluetooth 無線技術參照全球性標準所設計，適用在國際認證 ISM (Industrial Scientific and Medical) 頻帶，在 2.4GHz ~ 2.48GHz 的頻寬下，以跳頻的方式分成 79 個頻道，以每秒 1,600 次的頻率傳送資料，傳輸距離為 10 公尺。

### BH-1000 藍芽耳機

BH-1000 藍芽耳機採取藍芽技術所研發的無線耳機，可以和其它藍芽裝置如手機、PDA，或筆記型電腦，在 10 公尺的距離內以無線的方式相互連接，以達到聲音的傳輸裝置。

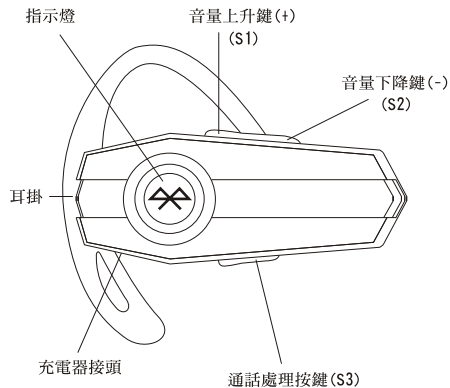
## 內容物

- ◎ BH-1000 藍芽耳機
- ◎ 100 ~ 240V 旅充
- ◎ 耳掛
- ◎ 車充 (選購配件)
- ◎ 使用手冊



# BH-1000藍芽耳機全視圖

正面



背面

