

# AIOT Wi-Fi Module Product Specification

## EW-7711MAN

V1.0A

2021/11/22

### Revision History

Version	Revision Date	Author	Comments
V1.0A	2021/11/17	Natalie	- First Release

## 1. General Description

**Model : EW-7711MAN**

**Purpose:**

Edimax EW-7711MAN is a highly integrated single-chip low power 802.11b/g/n Wireless LAN (Default: 802.11n 2.4G only) network controller. It combines an ARM-CM3 MCU, WLAN MAC, a 1T1R capable WLAN baseband, and RF in a single chip. It also provides a bunch of configurable GPIOs which are configured as digital peripherals for different applications and control usage.

EW-7711MAN integrated internal memories for complete WIFI protocol functions. The embedded memory configuration also provides simple application developments

## 2. Product Specification

### EW-7711MAN



圖 1 EW-7711MAN MODULE ID

### System Block Diagram

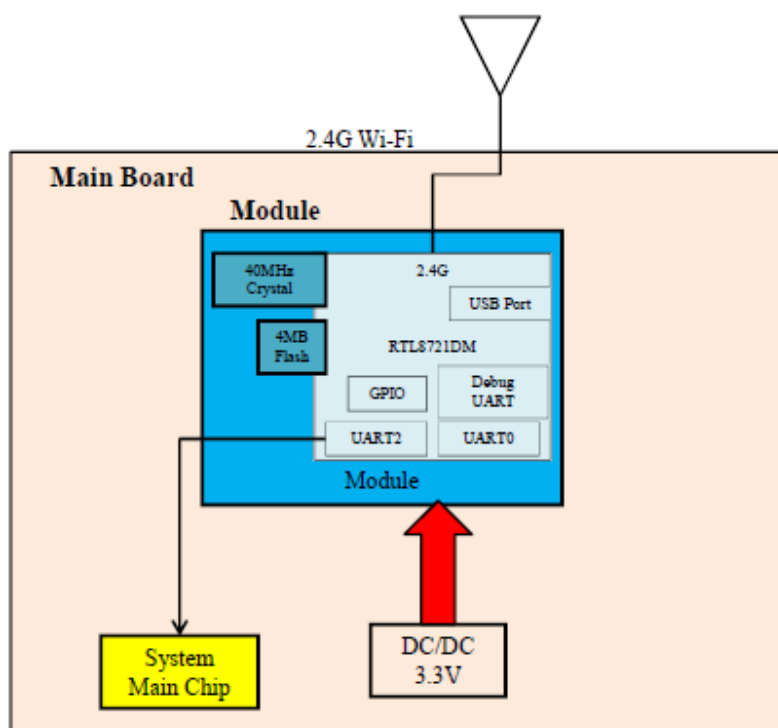



圖 2 EW-7711MAN Block Diagram

Category	Item	Detail	Support	P	Comment
CPU	Model	RTL8721DM-VA1-CG	V		
	Chipset clock	Max 200MHZ	V		
Flash /DDR Memory	Flash Size	4MB SPI FLASH	V		
	DDR Size	4MB (Embedded)	V		
Temperature	Operation	-10 ~ 40 ° C	V		
	Storage	-20 ~ 60 ° C	V		
	Humidity	20~80% (Non-Condensing)	V		

### ID & ME

Category	Item	Detail	Support	P	Comment
ID	EW-7711MAN		V		
I/O Interface		Debug Log	V		
Antenna		External 2.4G or Dual Band Ant.	V		

### Packing List

Category	Item	Detail	Support	P	Comment
GLP - Packing List	CD-ROM		No		
	White Box		No		
	FCC/CE Label		No		
	Quick Installation Guide		No		
	MAC Address & Model Number Label		Yes		
	Mounting kit		No		
	Carton		V		Tray Only

依據【**低功率射頻器材技術規範**】

取得審驗證明之低功率射頻器材，非經核准，公司、商號或使用者均不得擅自變更頻率、加大功率或變更原設計之特性及功能。

低功率射頻器材之使用不得影響飛航安全及干擾合法通信；經發現有干擾現象時，應立即停用，並改善至無干擾時方得繼續使用。

前述合法通信，指依電信管理法規定作業之無線電通信。

低功率射頻器材須忍受合法通信或工業、科學及醫療用電波輻射性電機設備之干擾。

## **Federal Communication Commission Interference Statement**

This equipment has been tested and found to comply with the limits for a Class B digital device, pursuant to Part 15 of FCC Rules. These limits are designed to provide reasonable protection against harmful interference in a residential installation. This equipment generates, uses, and can radiate radio frequency energy and, if not installed and used in accordance with the instructions, may cause harmful interference to radio communications. However, there is no guarantee that interference will not occur in a particular installation. If this equipment does cause harmful interference to radio or television reception, which can be determined by turning the equipment off and on, the user is encouraged to try to correct the interference by one or more of the following measures:

1. Reorient or relocate the receiving antenna.
2. Increase the separation between the equipment and receiver.
3. Connect the equipment into an outlet on a circuit different from that to which the receiver is connected.
4. Consult the dealer or an experienced radio technician for help.

### **FCC Caution**

This device and its antenna must not be co-located or operating in conjunction with any other antenna or transmitter. This device complies with Part 15 of the FCC Rules. Operation is subject to the following two conditions:

- (1) this device may not cause harmful interference, and
- (2) this device must accept any interference received, including interference that may cause undesired operation. Any changes or modifications not expressly approved by the party responsible for compliance could void the authority to operate equipment.

### **FCC Radiation Exposure Statement:**

This equipment complies with FCC RF radiation exposure limits set forth for an uncontrolled environment. This equipment should be installed and operated with a minimum distance of 20 centimeters between the radiator and your body or nearby persons.

For product available in the USA market, only channel 1~11 can be operated. Selection of other channels is not possible.

If the FCC identification number is not visible when the module is installed inside another device, then the outside of the device into which the module is installed must also display a label referring to the enclosed module. This exterior label can use wording such as the following: “Contains Transmitter Module FCC ID: NDD9577112201”



Additional testing, Part 15B disclaimer :

This module only complied with FCC 15.247 requirements as listed on the grant, and therefore, the host product manufacturer is responsible for FCC Part 15B compliance testing with the module installed.

This device is intended only for OEM integrators under the following conditions:

- (1) Be careful not to exceed the operating voltage of the module, to avoid damage to the module caused by excessive power supply.
- (2) Note that the communication interface between the module and the system should be close to each other to avoid extra power loss.
- (3) Please do not arbitrarily change the internal program to avoid uncontrolled RF output and cause irreversible damage.
- (4) Do not remove the shielding case, as this will cause regulatory problems.
- (5) The antenna must be installed such that 20cm is maintained between the antenna and users.
- (6) Only the antenna type and antenna gain documented in the module FCC reports can be used.

As long as above conditions are met, further test or certification will not be required. However, the OEM integrator is still responsible for host product evaluation or any additional compliance requirements with this module installed. In the event that these conditions cannot be met, then the FCC authorizations are no longer considered valid and the FCC ID cannot be used on the final product. In these circumstances, the OEM integrator will be responsible for re-evaluating the end product including this module and obtaining separate FCC authorizations.