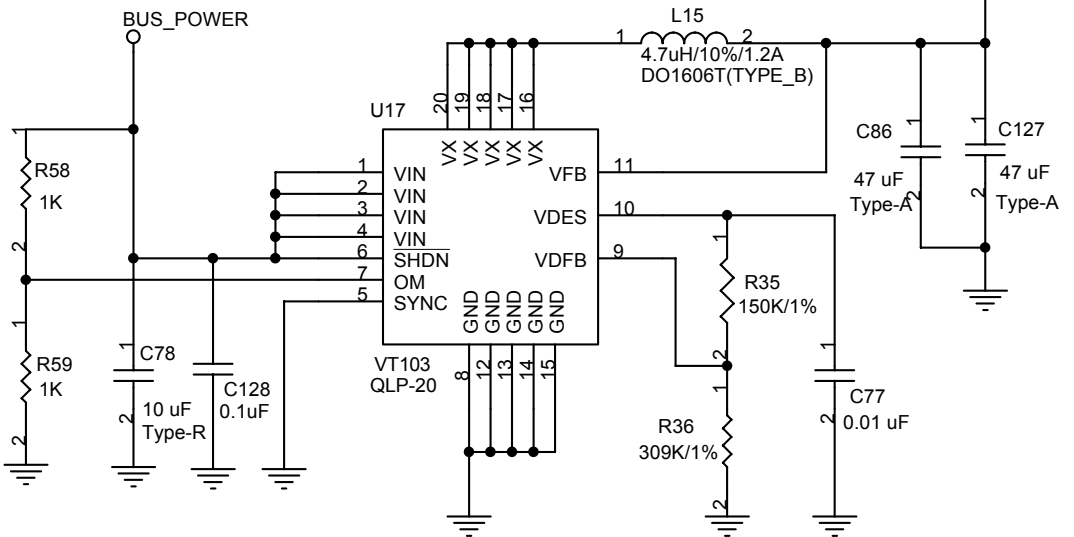
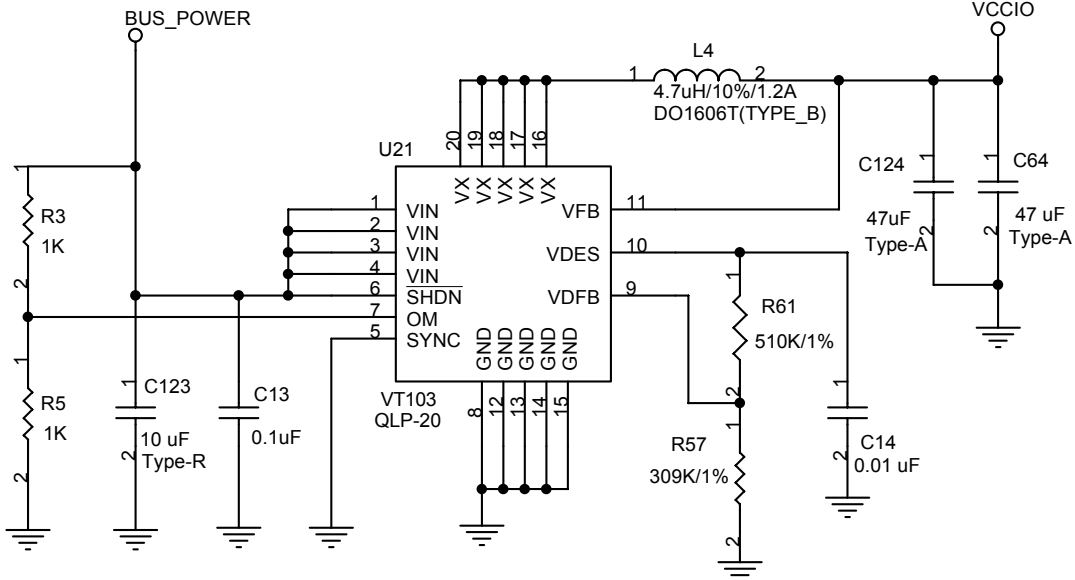
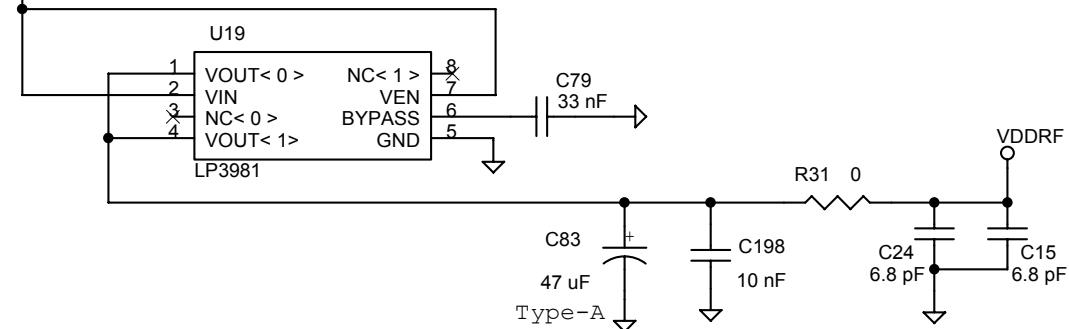
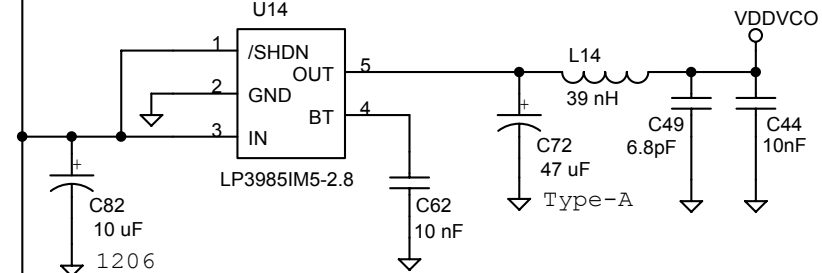
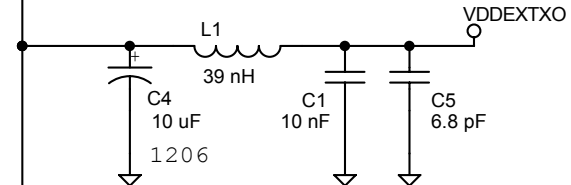
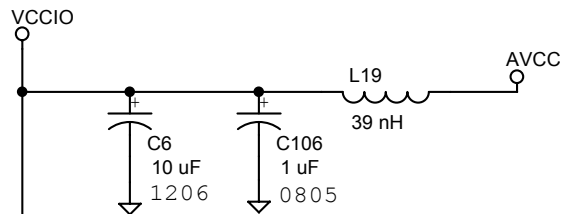
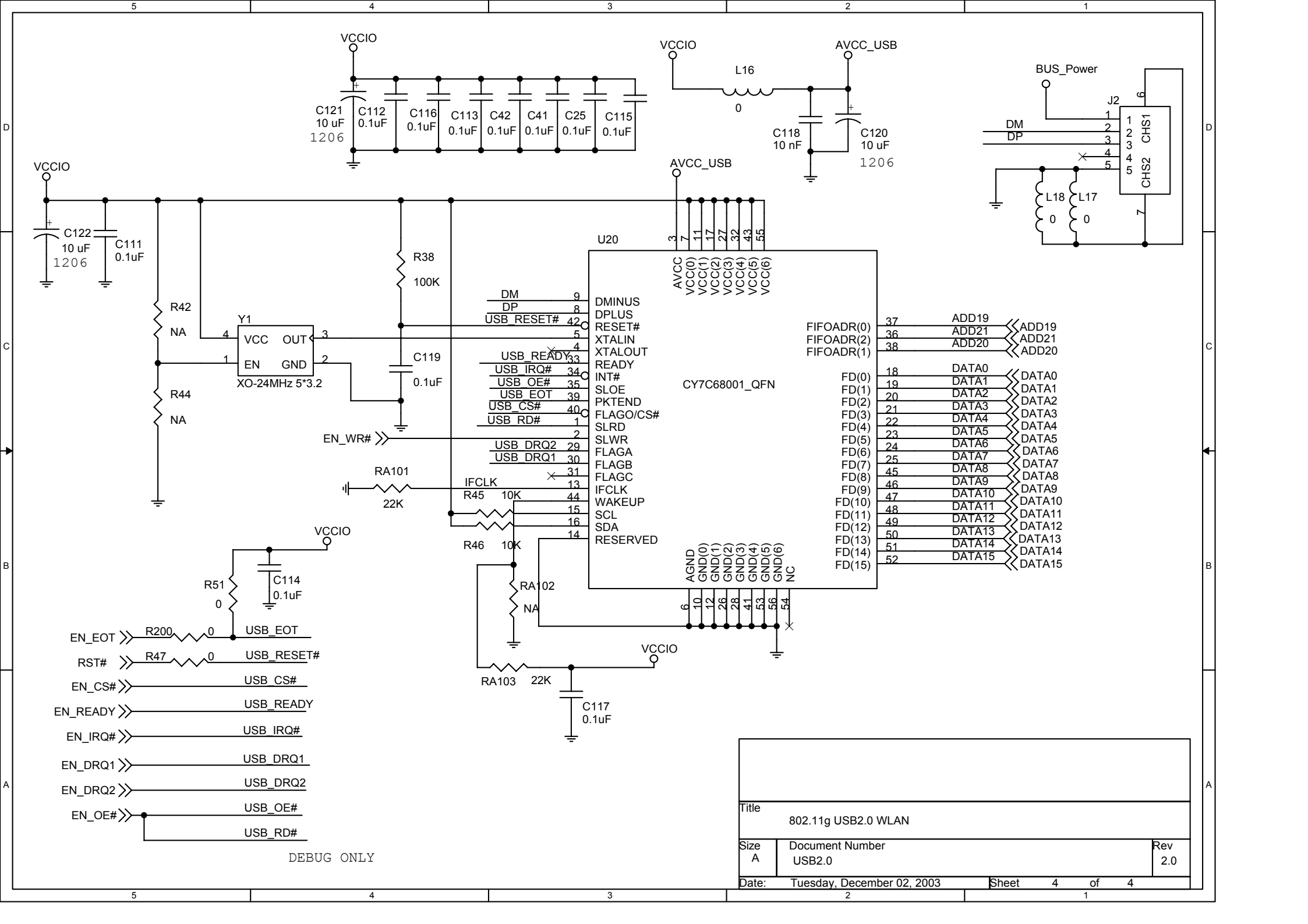


They are optional switching output to control various type of RF switches.  
 With a 7/8 switch that perform also TX RX switching and Antenna diversity switching we use only the LMASEL\_N, and LMASEL\_N. (This is done in MiniPci)

fusiontech technologies inc.		
File	802.11g USB2.0 WLAN	
Size	Document Number	Rev
C	BB/MAC ( EN202 )	2.0
Date:	Tuesday, December 02, 2003	Sheet 2 of 4



Title		
802.11g USB2.0 WLAN		
Size	Document Number	Rev
A	Power Site	2.0
Date:	Tuesday, December 02, 2003	Sheet 3 of 4



Title		
802.11g USB2.0 WLAN		
Size	Document Number	Rev
A	USB2.0	2.0
Date:	Tuesday, December 02, 2003	Sheet 4 of 4