

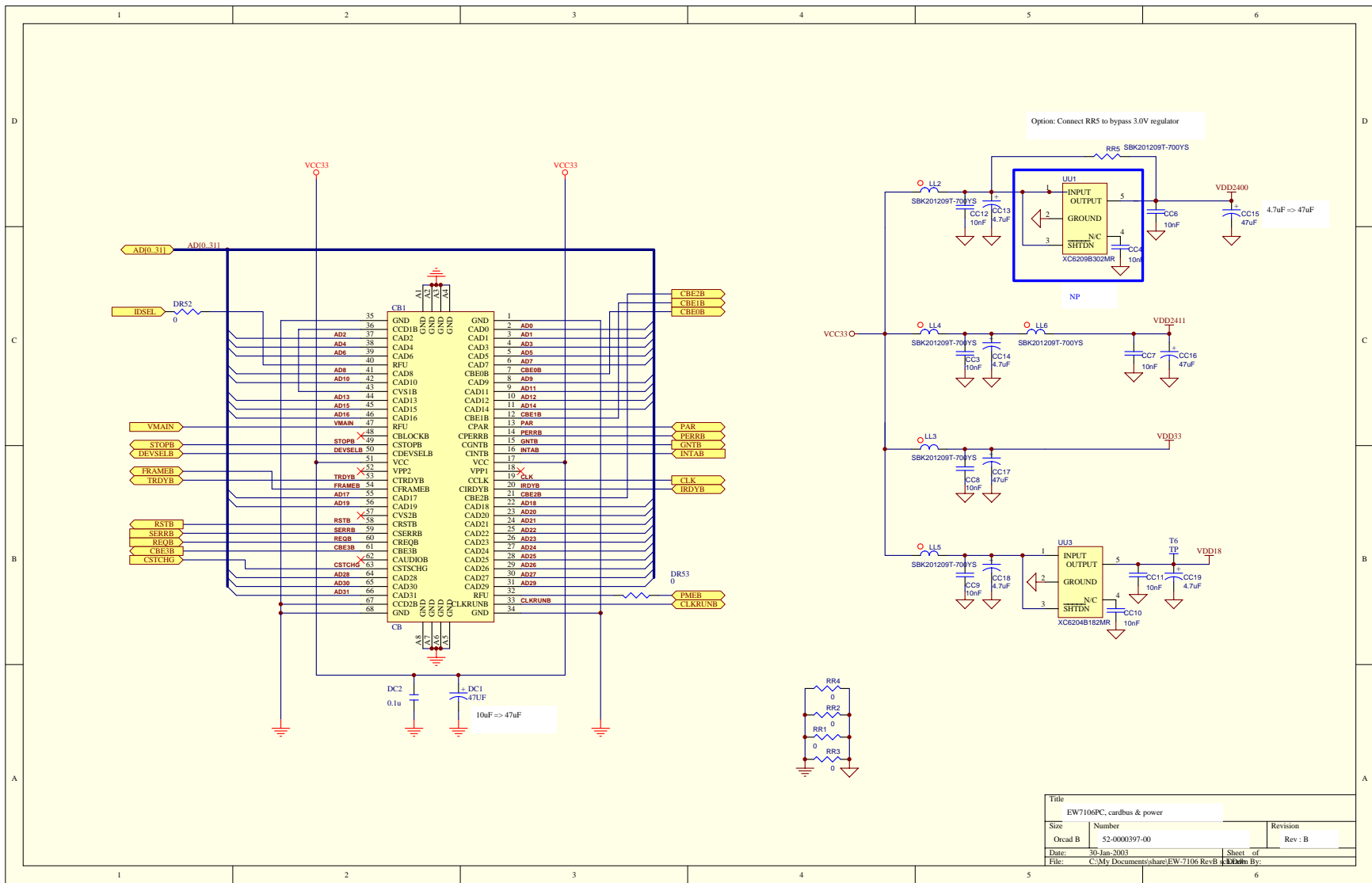
- For MiniPCI customer
1. DR52=ON
  2. DR94=OFF
  3. DR95=OFF
  4. DR96=OFF
  5. DR53=ON
  6. DR89=ON
- For CardBus customer
1. DR52=OFF
  2. DR94=ON
  3. DR95=ON
  4. DR96=ON
  5. DR53=OFF
  6. DR89=OFF

For 93LC56, DR91=ON  
For 93LC46, DR91=OFF

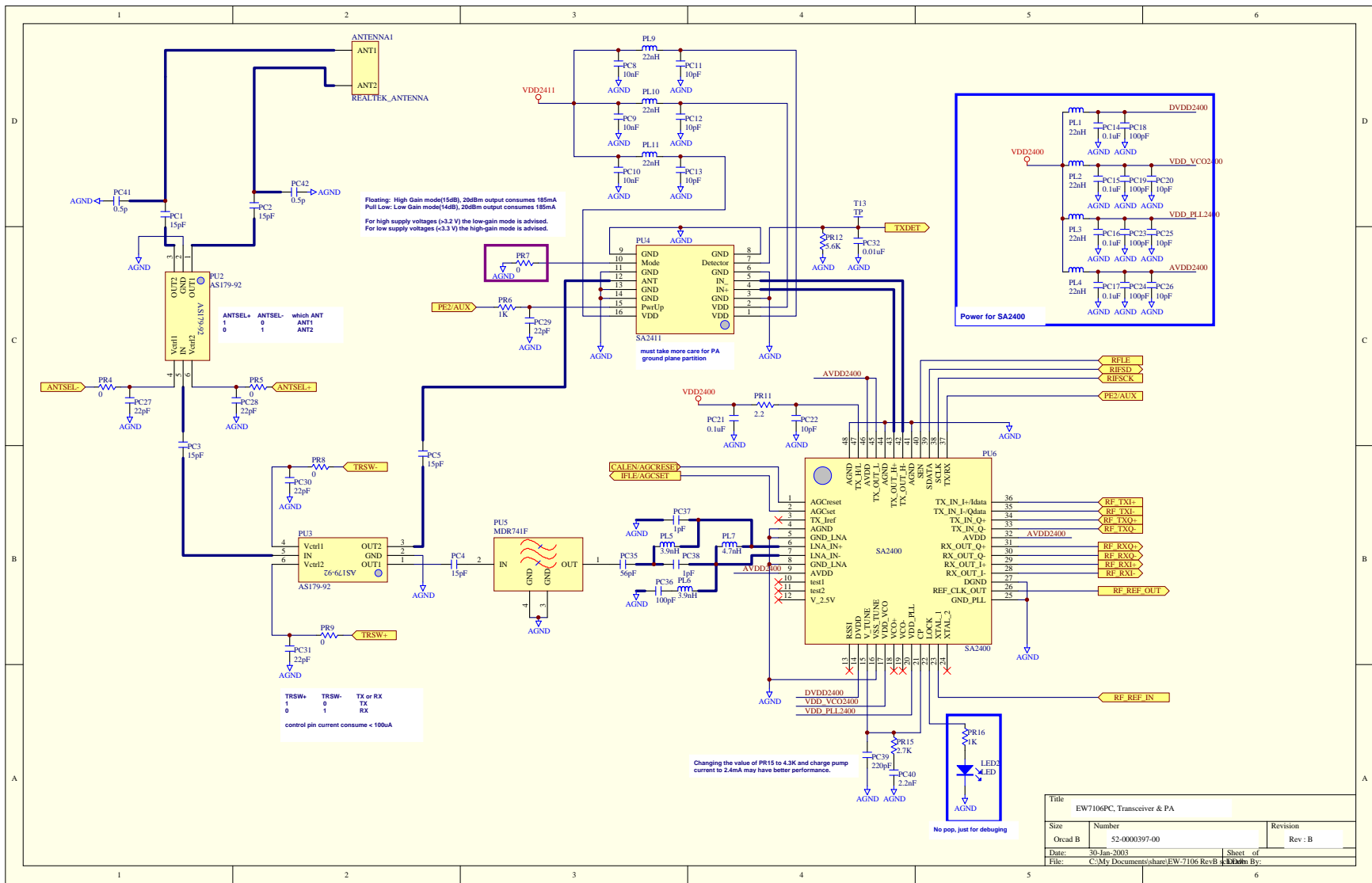
Note:  
ON: mount the component on board  
OFF: don't mount the component on board

place power de-coupling capacitors (DC19-26, DC41-50) to each power pins as close as possible

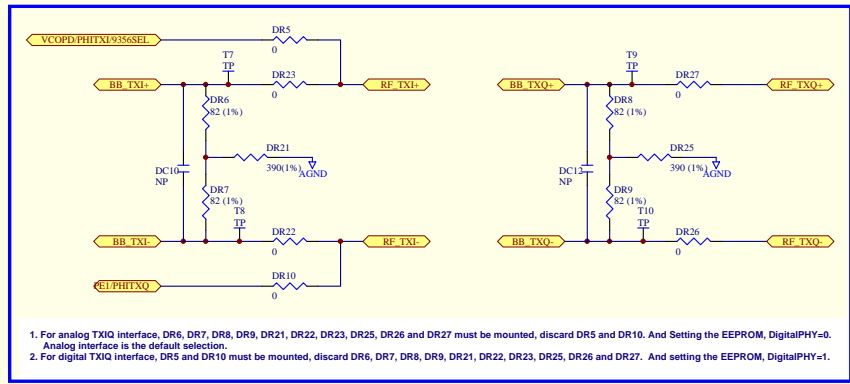
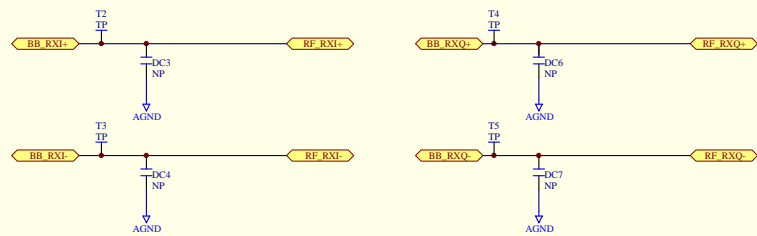
Title			
EW7106PC, MAC & Base band			
Size	Number	Revision	
Orcad B	52-0000397-00	Rev : B	
Date:	30-Jan-2003	Sheet of	
File:	C:\My Documents\share\EW-7106 Rev B	Drawn By:	



Title		Revision	
EW7106PC. cardbus & power		Rev : B	
Size	Number		
Orcad B	52-0000397-00		
Date:	30-Jan-2003	Sheet of	
File:	C:\My Documents\share\EW-7106 RevB.dwg	Drawn By:	



Title: EW7106PC, Transceiver & PA		
Size	Number	Revision
Orcad B	52-0000397-00	Rev : B
Date:	30-Jan-2003	Sheet of
File:	C:\My Documents\share\EW-7106 RevB	Drawn By:



1. For analog TXIQ interface, DR6, DR7, DR8, DR9, DR21, DR22, DR23, DR25, DR26 and DR27 must be mounted, discard DR5 and DR10. And Setting the EEPROM, DigitalPHY=0. Analog interface is the default selection.
2. For digital TXIQ interface, DR5 and DR10 must be mounted, discard DR6, DR7, DR8, DR9, DR21, DR22, DR23, DR25, DR26 and DR27. And setting the EEPROM, DigitalPHY=1.

Title		EW7106PC.1/Q interface	
Size	Number	Revision	
Orcad B	52-0000397-00	Rev : B	
Date:	30-Jan-2003	Sheet of	
File:	C:\My Documents\share\EW-7106 RevB 4.0.Ddm By:		