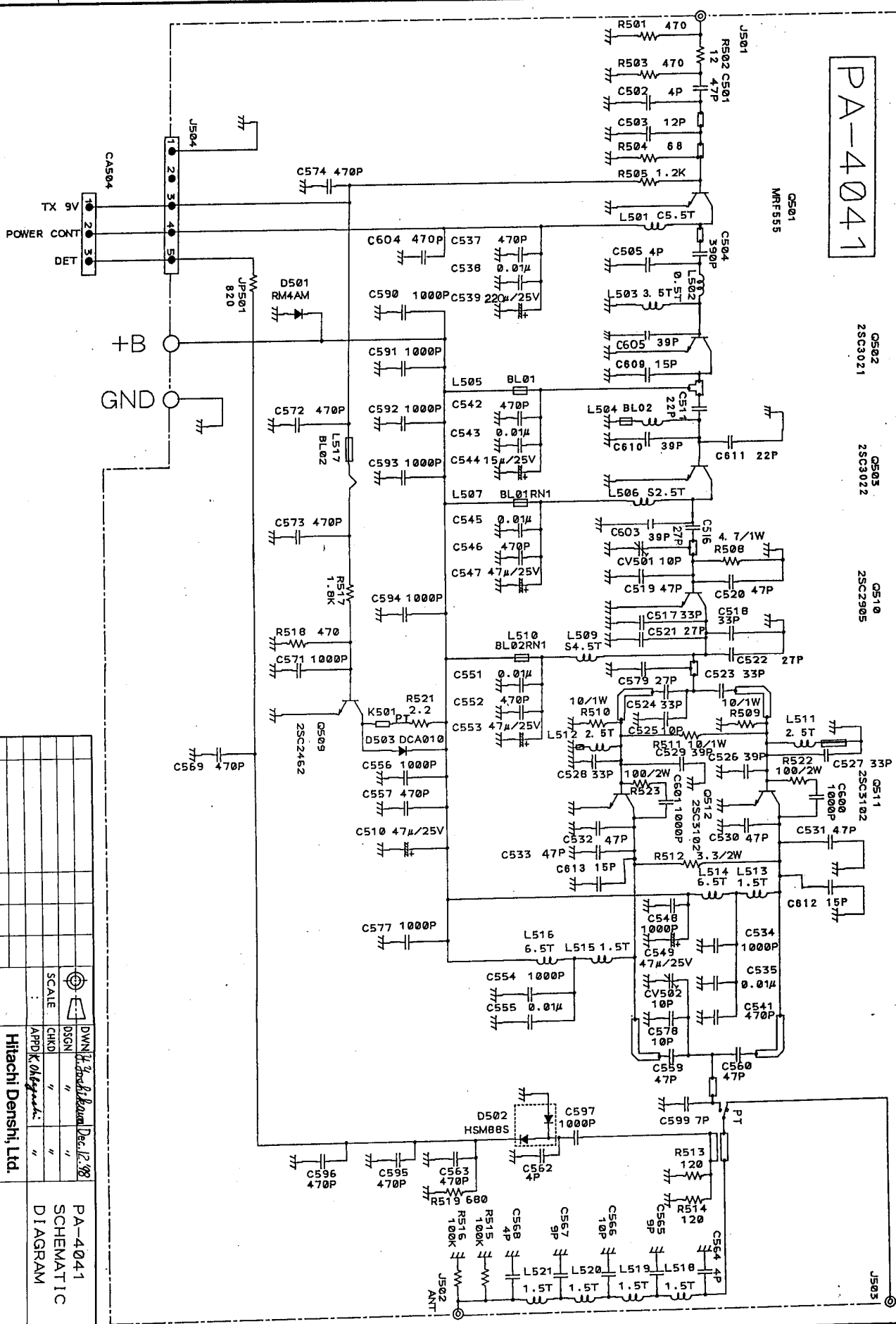


REV	REVISIONS	DATE	DSGN/APPD
1			
2			
3			
4			
5			
6			

DSN: Y. Yamashita, K. 72  
 DSGN: Y. Yamashita  
 CHKD: Y. Yamashita  
 APPD: M. Okada  
 SCALE: 1:1  
 CX-217  
 Hitachi Denshi, Ltd.  
 Tokyo, Japan  
 SCHEMATIC DIAGRAM

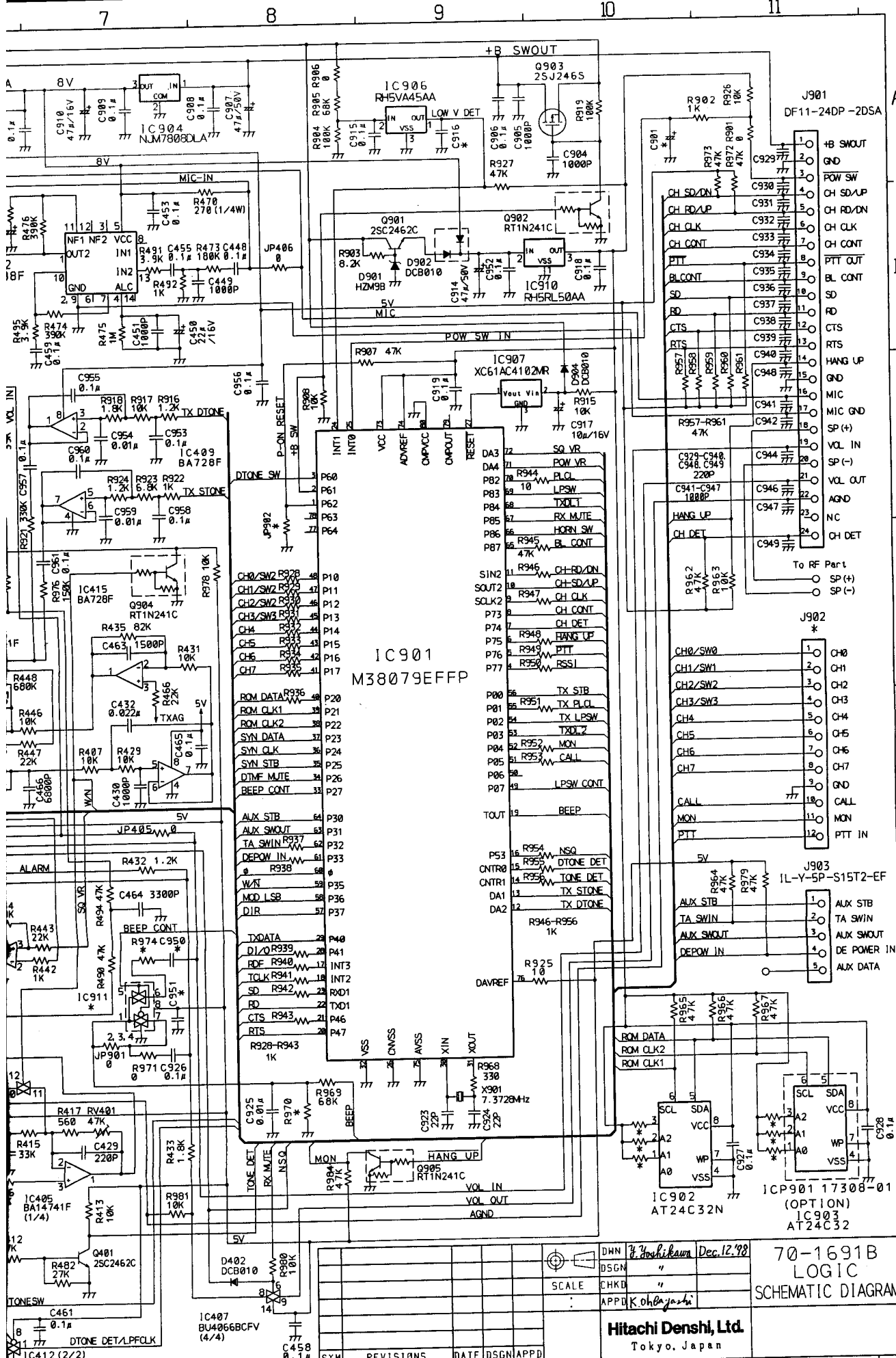
PA-4041



SYMBOL	REVISIONS	DATE	DESIGN	CHKD.	APPD.	COMPANY

DWN'D by *H. H. Brown* Dec. 12, '88  
 DSGN " " " " " " " "  
 APPD *K. Okiyama* " " " " " " " "  
 Hitachi Denshi, Ltd.  
 Tokyo Japan

PA-4041  
 SCHEMATIC  
 DIAGRAM

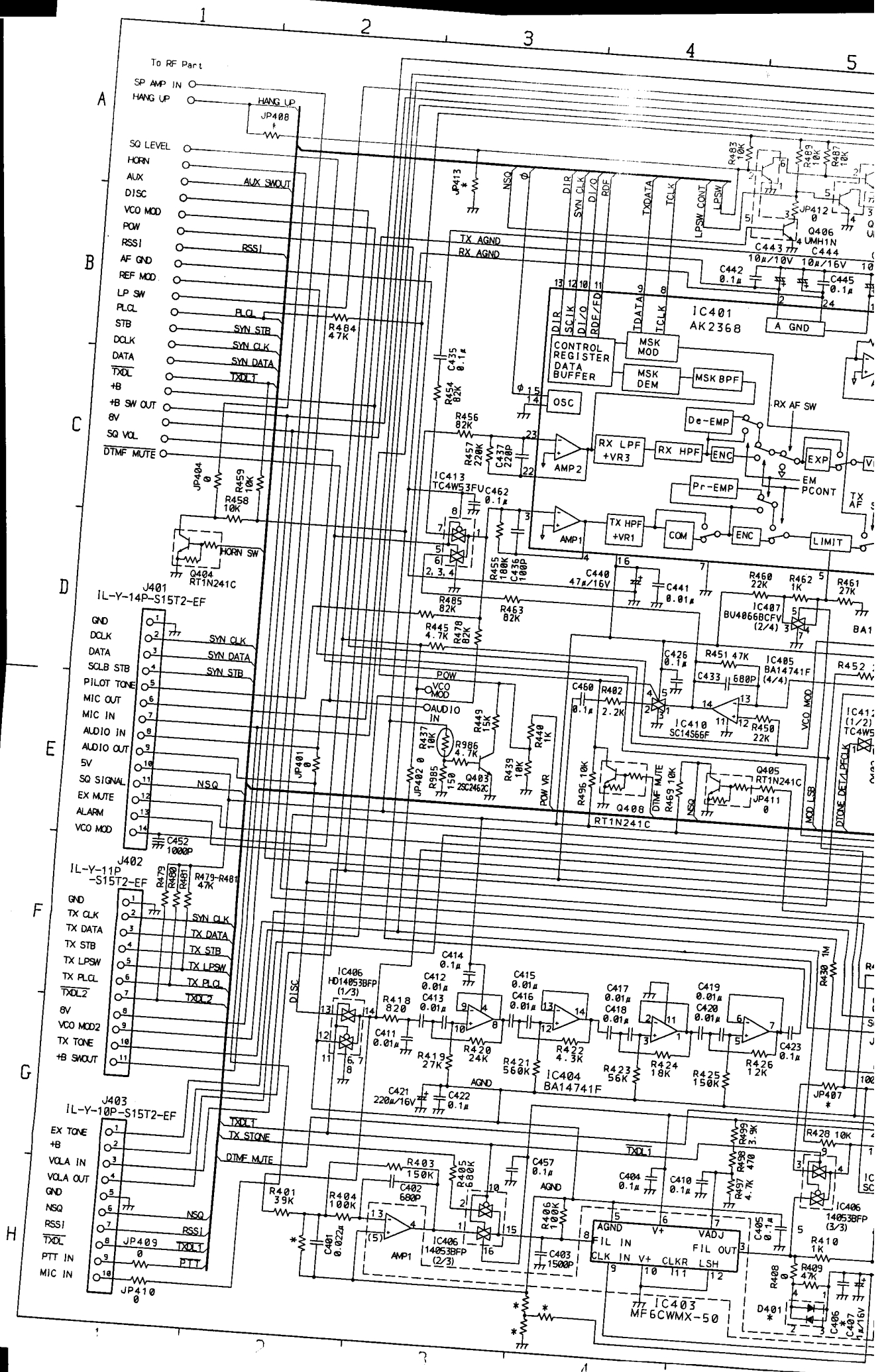


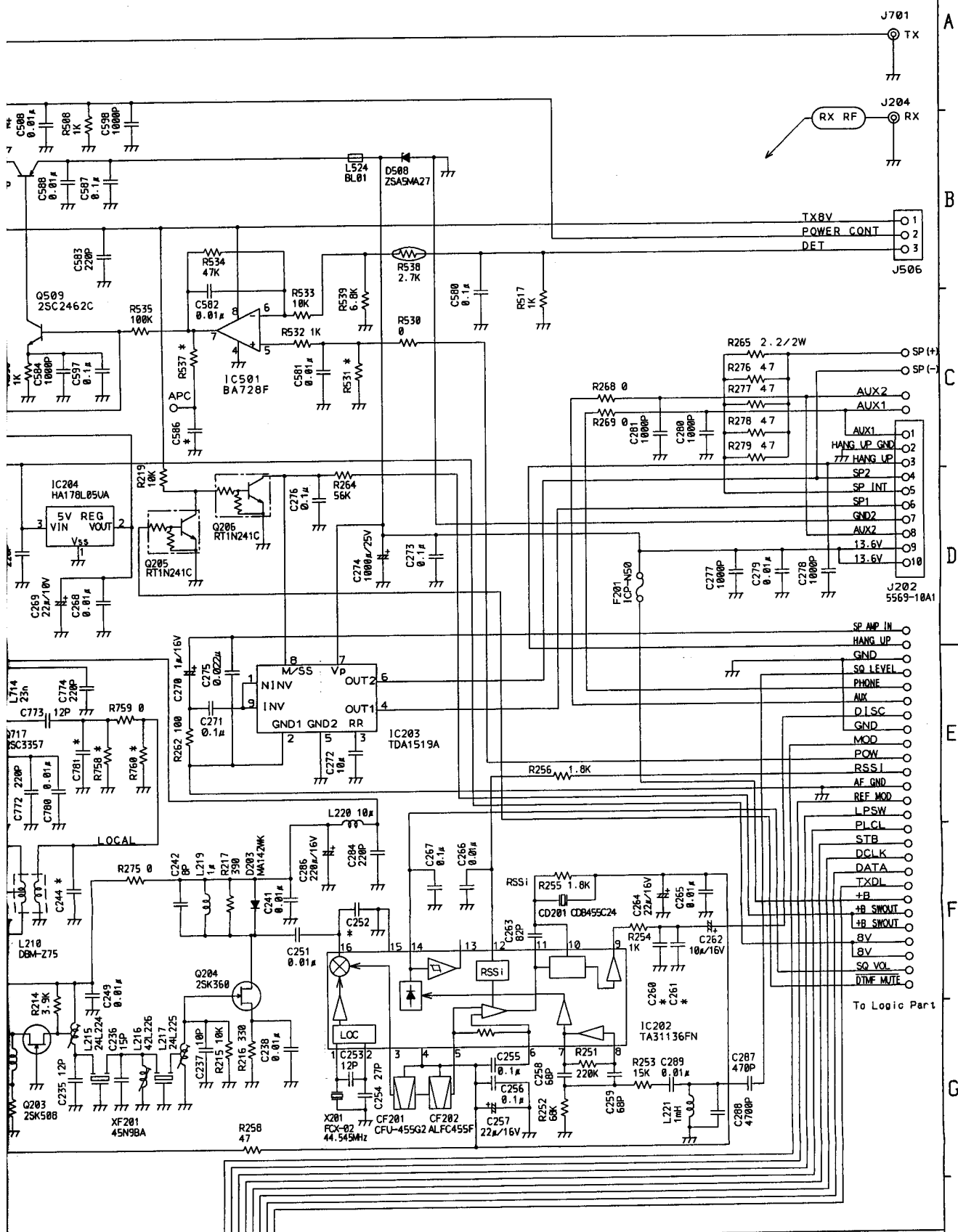
SYMBOL	REVISIONS	DATE	DSGN	APPD

DWN *K. Yoshikawa* Dec. 12, 98  
 DSGN "  
 CHKD "  
 APPD *K. Ohbayashi*  
**Hitachi Denshi, Ltd.**  
 Tokyo, Japan

**70-1691B**  
**LOGIC**  
**SCHEMATIC DIAGRAM**

IC901 M38079EFP  
 IC902 AT24C32N  
 IC903 AT24C32





SYMBOL	REVISIONS	DATE	DSGN	APPD	DWN H. Kobayashi	Dec. 12, '98	70-1691B RF SCHEMATIC DIAGRAM
					SCALE CHKD	" "	
					APPD K. Kobayashi	" "	
					<b>Hitachi Denshi, Ltd.</b> Tokyo, Japan		

