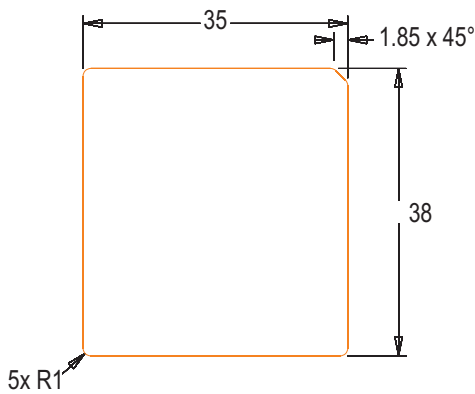


Outline



Pre-printed



Suggestion Thermal print



1. Overall dimensions: 35x38, radius corners: 1 mm, right upper corner cut off
2. To be supplied in the format shown, on reels, copy position 2, internal core dia 40mm
3. Quantity per roll: 1000 or max o/d 4"
4. Each roll to be packed in bubble wrap and sealed in a polythene bag containing no other shedding material.

Reels then to be packed in a box, each box to contain 4 reels.

The outside of the box to be clearly labelled with the following information:

- Option Part number
- Quantity in box
- Date produced

5. Liner to be XXmm wide. Vertical gap between labels XXmm.
6. Label thickness: 50µm max.
7. Label to be White and suitable for thermal transfer printing.
8. Label to be printed with artwork 2002916_1_2002916_art.*
9. Printing be resistant to rubbing and alcohol cleaning.
10. Raw material: Brady B-423 (White)
11. Artwork use Black
12. To be used with print ribbon: Brady R-600x (printribbon full width).

1		First version.	EV	12/04/07	
REV	ECP	DESCRIPTION	ISSUED	DATE	APPROVED

<p>OPTION WIRELESS TECHNOLOGY</p> <p>Gaston Geenslaan 14 - B3001 Leuven - Belgium</p>	Top Mat Nr: 2002916	Rev: 1	Sap Mat NR : 2002916		
	Project: GlobeSurfer III	Part Name: Manf Lbl GS3 R1			
	Drawn: Eric Vandeputte	Date: 20/05/08	Scale: 1:1	Size: A4	Page: 1/1

