
Getting Started

Congratulations on the purchase of your new Compaq iPAQ Pocket PC GSM/GPRS Wireless Data and Voice Pack. Your Wireless Pack integrates the power of a state-of-the-art digital mobile Wireless Pack with the simplicity of your Compaq iPAQ handheld computer.

To use your Wireless Pack, you must first activate your account with your network provider. See step 7 of this chapter.

Your account information is located on your SIM (Subscriber Identity Module) card. If a SIM card did not come with your Wireless Pack, your network provider will provide one when you subscribe to their service. Your SIM card must be inserted into your Wireless Pack before you can use it.

Just follow the seven easy steps in this chapter to get up and running quickly.

Third Draft

Getting Started

Step 1: Setting up your handheld computer

1. If you haven't already set up your handheld, follow the steps that came with your handheld to set it up.
2. (Recommended) Synchronize your handheld with your computer.

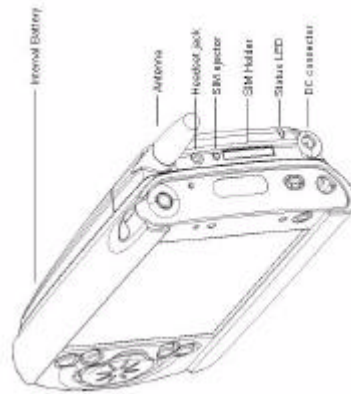


If you need additional information about synchronizing, refer to the *User manual* that came with your handheld.

Third Draft

Getting Started

Step 2: Getting to know your Wireless Pack



Front view

Third Draft

Getting Started



Back-view

Third Draft

Getting Started

Jacket Components

Component	Function
Internal Battery	Battery is incorporated into the sleeve and powers your Wireless Pack.
DC-connector	Used to connect to a power source.
Headset jack	Enables you to connect a headset so you can view your handheld screen while you are on a voice call.
SIM ejector	Used to eject the SIM card from the Wireless Pack.
SIM holder	Holds the SIM card.

Third Draft

Getting Started

Jacket Components

Component	Function
Status LED	<p>Provides status information for your Wireless Pack for GSM / GPRS. The color of the light and the blink state indicate the status as follows:</p> <p>Green/Blinking slow = On and in service</p> <p>No light = Off or battery depleted</p> <p>Red/Blinking slow = Low battery voltage also shown in WCS display</p> <p>Red/solid = Charging</p> <p>Green/solid = Charged</p> <p>Green/Blinking fast = Indicates SMS or Voicemail message is waiting</p> <p>Red/Blinking fast = Shows unit is powered on but not registered on network.</p>

Third Draft

Getting Started

Jacket Components

Component	Function
Antenna	Receives and sends signals on your Wireless Pack. The antenna does not telescope out of the Wireless Pack.
Power Button	Turns on your Wireless Pack and activates the signal. Your Wireless Pack stays on until you remove it from your handheld or press the power button to turn it off.
Speaker	Functions as the earpiece on your Wireless Pack.

To adjust the volume during a voice call, press the scroll buttons on the front of your handheld.

Third Draft

Getting Started

Step 3: Insert your SIM card

The SIM (Subscriber Identity Module) card is a small rectangular plastic piece. The SIM card is included with your service provider's documentation and is often referred to as a "smartcard".

If your SIM card is already inserted in your Wireless Pack, skip to Step 4.

Insert the SIM card into the slot.

Since calls are billed to your telephone number, you can move your SIM card to any mobile device that uses a SIM card, and the calls will be billed to your account.

Step 4: Connect the Wireless Pack to your handheld

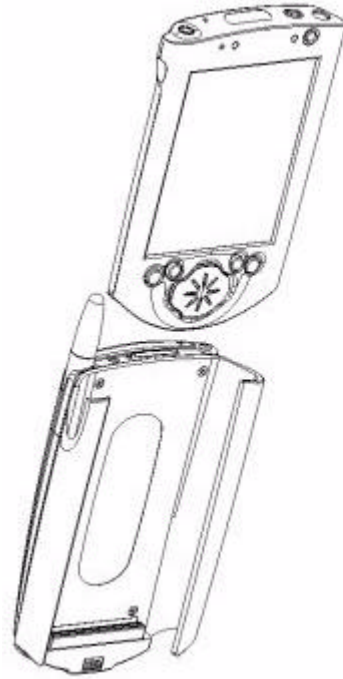
Slide the iPAQ into the Wireless Pack until it clicks into place. The Pocket PC will alert you when the sleeve is ready to be used.

You can disable the sound made when you insert the iPAQ into the Wireless Pack. Press the Qmenu button, tap *Expansion Pack*, then select *Disable Insertion Sound*.

To view the Expansion Pack properties, press the Qmenu button, then tap **Expansion Pack**. If the Expansion Pack is installed properly, the name of the Expansion Pack will appear in the Expansion Pack Properties screen.

Third Draft

Getting Started



To remove your Wireless Pack from your handheld, slide the sleeve down and off your iPAQ.

Third Draft

Getting Started

Step 5: Charge the battery

1. Plug the travel charger into a wall outlet.
2. Insert the travel charger cable into the connector on your handheld. You can also put your handheld with the Wireless Pack into the cradle and insert the travel charger into the connector on the cradle.



When your Wireless Pack is on, the charge icon appears in the software application while your Wireless Pack charges. Note that your Wireless Pack must be in your handheld while charging, and that it takes about 90 minutes to charge the battery. It's time to recharge the battery when you observe one of the following:

- ¥ The LED turns red and blinks slowly
- ¥ The LED does not turn on when you turn on your Wireless Pack.

Third Draft

Getting Started

Step 6: Turn on your Wireless Pack

After the battery is charged, you can begin using your Wireless Pack

1. Press the Power button on your Wireless Pack for two seconds until you hear a beep.
2. Wait maximum two minutes for your Wireless Pack to locate your service provider's network. Do not tap OK.

When your Wireless Pack locates the network, the Network Search dialog displays a Welcome message and your network provider's name appears in the upper-left corner of the Voice application. If you are in an area without coverage, the Network Search dialog displays an "Unable to register to the network" message and "No Service" appears in the upper-left corner of the Voice application.

Third Draft

Getting Started

Step 7: Activate your account

If you received a new SIM card with your Wireless Pack, you need to call your network provider to activate your account. Your network provider's telephone number is located on the materials that came with your Wireless Pack

Once you receive your telephone number, it may take a few hours to become fully active. Some network providers send a special message with your telephone number. Follow these steps to check the telephone number:

1. Make sure your phone is on for at least 30 seconds.
2. Press the Phone button on your Wireless Pack for GSM / GPRS to access the Phone application.
3. Tap the Menu icon.
4. Under Options, tap Phone Info.
5. Tap OK.

Third Draft

Getting Started

Congratulations

You're ready to use your Wireless Pack. Keep these things in mind as you use your new device:

- ¥ If you travel outside a coverage area, your Wireless Pack remains on but you can't make or receive calls. If this occurs, the LED blinks red quickly and the Wireless Pack periodically tries to register to the network. When you return to a coverage area, the LED blinks green slowly.
- ¥ If you travel outside a coverage area, you can't receive SMS text messages. However, the messages are stored by the network and you will receive them when you return to a coverage area.
- ¥ Your account includes a voicemail feature so people can always leave you a message even when your Wireless Pack is off.

Always use care when operating a mobile device. If you plan to use your Wireless Pack while driving a car, we recommend using a headset for hands-free operation. See "Connecting a headset" in Chapter 10 to learn how to connect a headset to your Wireless Pack.