

Gantner Electronic GmbH

TEST REPORT

SCOPE OF WORK

RADIO TESTING – ACCESS CONTROL READER [GR7.2310]

REPORT NUMBER

2240115KAU-016

ISSUE DATE

04-November-2021

PAGES

48

DOCUMENT CONTROL NUMBER

R_FCC 15-225_19-10 (30-October-2019)

© 2017 INTERTEK



TYPE: GR7.2310
DESCRIPTION: Access control reader
SERIAL NO (EUT 1): 2047000001
SERIAL NO (EUT 2)*: 2047000003

*The antenna of the RFID module was replaced by a terminating resistor.
All measurement results refer to the equipment which was tested

MANUFACTURER: Gantner Electronic GmbH
CUSTOMER NAME: Gantner Electronic GmbH
ADDRESS (CUSTOMER): Bundesstr. 12
AT-6714 Nüziders
AUSTRIA

REPORT NO: 2240115KAU-016

TEST RESULT: The equipment complies to 47 CFR Part 15, Subpart C, Intentional radiators, section 15.225 / RSS-210, Issue 10 and RSS-GEN, Issue 5 for 13.56 MHz RFID module (Referring to the operating modes specified in this report).

TEST LABORATORY: Intertek Deutschland GmbH
Innovapark 20, 87600 Kaufbeuren
Germany

FCC DESIGNATION NUMBER: DE0014

FCC TEST FIRM REGISTRATION NUMBER: 359260

ISED CAB IDENTIFIER: DE0014
ISED #: 24854

TEST ENGINEER: M. Bensaid
Project Engineer

REVIEWER: R. Dressler
Technical Manager EMC/ Radio







Handwritten signature of M. Bensaid
Handwritten signature of R. Dressler
Circular stamp: Intertek Deutschland GmbH, innovapark 20, D-87600 Kaufbeuren, Germany, Intertek Deutschland

Details about Accreditations/Acceptances


EMC / Radio National

	<p>The Intertek Deutschland EMC-Lab is accredited by the Deutsche Akkreditierungsstelle GmbH (DAkKS)</p>
	<p>Registration Number (EMC general): D-PL-12085-01-01</p>
	<p>Registration Number (EMC Med): D-PL-12085-01-03</p>
	<p>Registration Number (EMC Canada): D-PL-12085-01-04</p>
	<p>Registration Number (EMC FCC): D-PL-12085-01-05</p>

International

	<p>The Intertek Deutschland EMC-Lab is accepted to participate in the IECEE (IEC Conformity assessment for Electrotechnical Equipment and Components) CB-Scheme</p> <p>CB Test Laboratory: TL118</p>
	<p>The Intertek Deutschland EMC-Lab is listed at the Federal Communications Commission (FCC)</p> <p>Designation Number: DE0014 Test Firm Registration Number: 359260</p>
	<p>The <i>Bundesnetzagentur</i> recognizes Intertek Deutschland GmbH as Conformity Assessment Body in the sector electromagnetic compatibility (EMC).</p> <p>BNetzA-CAB-16/21-10</p>
	<p>The Intertek Deutschland EMC-Lab is accredited for Innovation, Science and Economic Development Canada (ISED)</p> <p>ISED CAB IDENTIFIER: DE0014 ISED #: 24854</p>

Automotive

 <p>Anerkennungsstelle</p> <p>Anerkannt unter KBA-P 00046-03</p>	<p>The Intertek Deutschland EMC-Lab is recognized as technical service of the Kraftfahrt-Bundesamt (KBA)</p> <p>Registration Number: KBA-P 00046-03</p>
---------------------------------------------------------------------------------------------------------------------------------------------------------	----------------------------------------------------------------------------------------------------------------------------------------------------------------

SECTION 1 CONTENTS

SECTION 2	MEASUREMENT AND TEST SPECIFICATION	5
SECTION 3	GENERAL INFORMATION	6
SECTION 4	SUMMARY OF TESTING	7
4.1	General annotation.....	7
4.2	Measurement uncertainty.....	7
4.3	Document History.....	7
SECTION 5	TEST RESULTS – OVERVIEW	8
SECTION 6	INFORMATION ABOUT THE EUT	9
6.1	Description of the EUT.....	9
6.2	Power interface	10
6.3	Peripheral devices used for testing	10
6.4	Configuration mode.....	10
6.5	Operation mode.....	10
6.6	Clock frequencies of the EUT.....	11
6.7	Supply and interconnecting cables used for testing.....	11
6.8	Antenna configuration.....	11
6.9	Block diagram of the test setup for radiated emissions.....	11
6.10	Block diagram of the test setup for conducted emissions.....	12
6.11	Block diagram of the test setup for 20 dB bandwidth-, Occupied bandwidth- and Frequency Stability- test	12
6.12	Technical data of the 2.4 GHz transmitter.....	13
SECTION 7.....	14
7.1	Conducted emissions.....	14
7.2	Field strength 13.110 MHz – 14.010 MHz (Emission Mask)	19
7.3	Radiated emissions < 30 MHz	23
7.4	Radiated emissions 30 MHz to 26 GHz	29
7.5	Frequency stability measurement	41
7.6	20 dB bandwidth.....	43
7.7	Occupied bandwidth.....	45
7.8	Measurement uncertainty evaluation	47

SECTION 2

MEASUREMENT AND TEST SPECIFICATION

47 CFR Part 15, Subpart C, Intentional radiators, section 15.207 and section 15.225 /
RSS-210, Issue 10 and RSS-GEN, Issue 5

Test methods in:

ANSI C63.10-2013: American National Standard for Testing Unlicensed Wireless Devices

No additions, deviations or exclusions have been made from standards and accreditation.

The test results detailed in this report apply only to the GR7.2310 with the test setup described. Any modification such as a change, addition to or inclusion of another device into this product will require an additional evaluation.

The support equipment listed as part of the emission tests is required to properly exercise and test the device under test.

SECTION 3 GENERAL INFORMATION

Possible test case verdicts:

Test case does not apply to the test object: N/A (Not Applicable)

Test object does meet the requirement: P (Pass)

Test object does not meet the requirements: F (Fail)

Samples arrived: 2020-11-27 (EUT 1) and 2021-01-20 (EUT 2)

Testing: 2020-12-12 to 2021-10-27

Decimal separator: Point Comma

Environmental conditions during testing:

Temperature: 15 °C - 35 °C

Humidity: 20 % - 60 %

Atmospheric pressure: 900 mbar - 1000 mbar

If explicitly required by a basic standard the measured climatic conditions are documented in the corresponding test section.

Test sites:

Measurement Chamber	Type of chamber	IC Site filing #
ANECHOIC CHAMBER 1	Semi-anechoic 3 m	24854

SECTION 4**SUMMARY OF TESTING****4.1 General annotation**

The tests were performed in the order of the right column in the “Test Results – Overview” table.

At least at one emission test the margin to the limit is less than 6 dB. A minimum margin of 3 - 6 dB is recommended for a serial production.

4.2 Measurement uncertainty

For each test method, an uncertainty evaluation was carried out. The results of the evaluation can be provided upon request from Intertek Deutschland GmbH.

4.3 Document History

REVISION	DATE	REPORT	CHANGES	AUTHOR
Initial release	2021-11-04	2240115KAU-016	Initial issue	MBE

SECTION 5

TEST RESULTS – OVERVIEW

EMISSION	VERDICT	DATE	NO
Conducted emissions (0.15 MHz - 30 MHz)	P	2021-01-25 2021-05-29	10 11
Field strength (13.110 MHz – 14.010 MHz)	P	2020-12-12	2
Radiated emissions (< 30 MHz)	P	2020-12-12	1
Radiated emissions (30 MHz - 1 GHz)	P	2020-01-23	9
Radiated emissions (1 GHz - 26 GHz)	P	2020-12-12 2020-12-14 2020-12-22 2020-12-23	3 4 7 8
Frequency Stability Test	P	2020-12-16	5
20 dB bandwidth	P	2021-10-27	12
Occupied bandwidth test	P	2020-12-18	6

SECTION 6

INFORMATION ABOUT THE EUT

6.1 Description of the EUT

Device tested as:

table-top EUT

floor-standing EUT

Dimensions:

Height:

Width:

Length:

12.2 cm

10 cm

2.3 cm

Firmware version:

Special Version for Testing

Hardware version:

3.1

EUT version:

Production

Prototype

Used

Description: the GR7.2310 is a Multifunctional Access Control Reader. The multi-technology reader reads and writes all popular RFID technologies (LEGIC and MIFARE) and can read the unique numbers of many other identification technologies and RFID standards. The EUT has a Bluetooth module and a RFID module.

6.1.1 Technical data of the RFID module

Transmitter frequency range: 13.56 MHz

Frequency agile or hopping:

Yes

No

Antenna:

Internal antenna

External antenna

Antenna connector:

None, internal antenna

Yes, type

Antenna type:

Internal PCB antenna

Antenna gain:

-

Power rating:

5 VDC / 130 mA max.

Channel spacing:

-

Receiving only mode supported:

Yes

No

6.1.2 Photo of the rating plate and of the EUT



6.2 Power interface

MODE	VOLTAGE (V)	FREQUENCY	COMMENT
Rated	12 - 24	DC	-
1	120 V (AC) / 24 V (DC)	60 Hz (AC) / DC	Over the ISK 200 via RS 485

6.3 Peripheral devices used for testing

DEVICE	MANUFACTURER	TYPE	SN	FCC ID
Power supply	Gantner	ISK 200	06460376	-
Notebook	HP	HP ProBook 6560b	5CB20246BZ	QDS-BRCM 1043

6.4 Configuration mode

MODE	DESCRIPTION
1	The EUT was placed on the table and was connected to the ISK 200 (see section 6.9).
2	The EUT was placed on the table and was connected to the ISK 200 (see section 6.10).
3	The EUT was placed in the climatic chamber (see section 6.11).

6.5 Operation mode

MODE	DESCRIPTION
1	Normal operation. The RFID module and the Bluetooth module of the EUT were in continuous wave mode.
2	Normal operation and the antenna of the RFID module was replaced by a terminating resistor. The Bluetooth module was on.
3	Normal operation and transmission mode. The RFID-tag was placed in front of the EUT. The Bluetooth module was on.

6.6 Clock frequencies of the EUT

SOURCE	FREQUENCY
Microcontroller	f_{CPU} : 32 MHz, 2 Crystals: 8 MHz
RFID Reader	13.56 MHz
Bluetooth module	2402 MHz – 2480 MHz

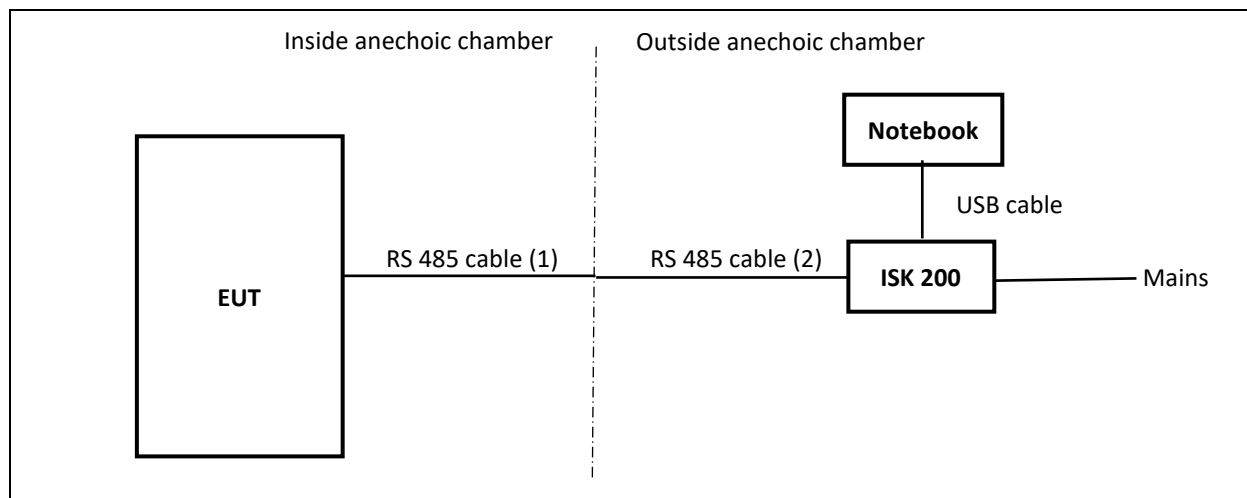
6.7 Supply and interconnecting cables used for testing

LINE	LENGTH (cm)	SHIELDING	FERRITE	TERMINATION
RS 485 cable (1)	300	Y	N	-
RS 485 cable (2)	100	Y	N	-

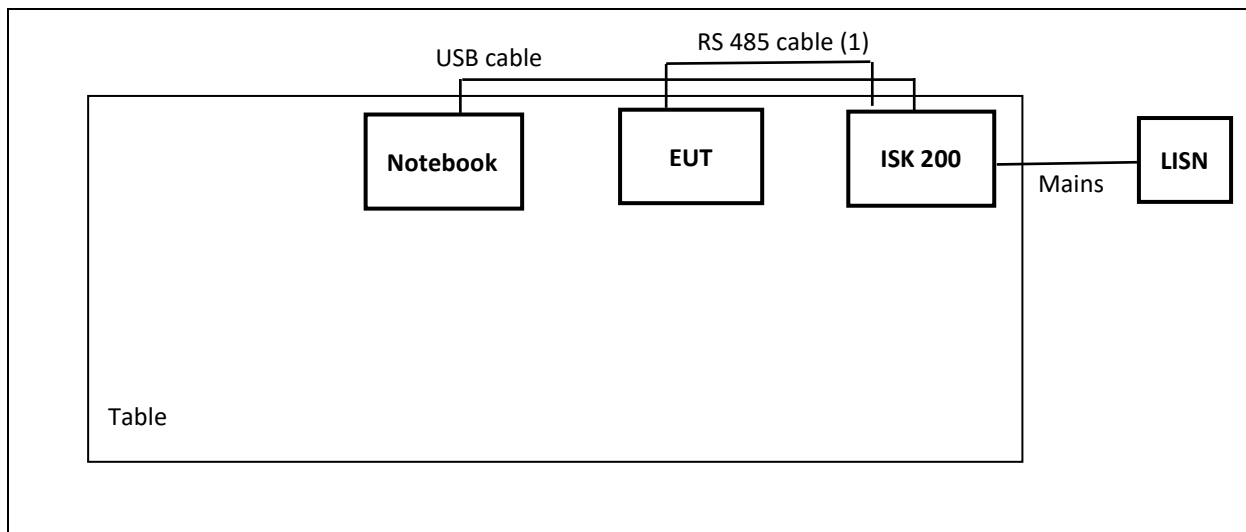
6.8 Antenna configuration

DESCRIPTION	
<input type="checkbox"/>	Equipment with an external antenna connector
<input checked="" type="checkbox"/>	Equipment without an external antenna connector (integral antenna)
<input type="checkbox"/>	Equipment with more than one antenna

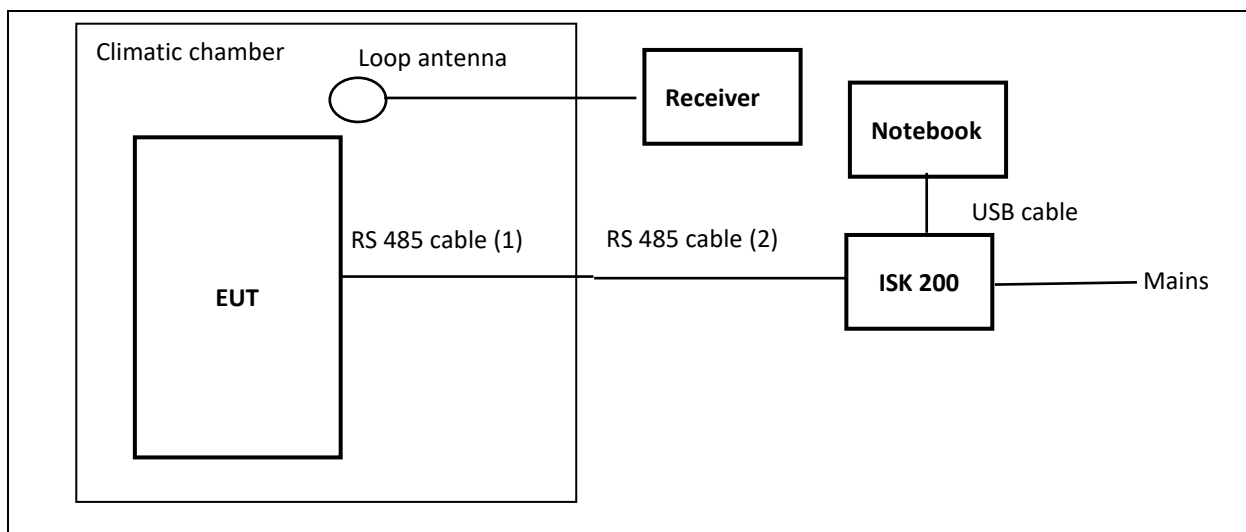
6.9 Block diagram of the test setup for radiated emissions



6.10 Block diagram of the test setup for conducted emissions



6.11 Block diagram of the test setup for 20 dB bandwidth-, Occupied bandwidth- and Frequency Stability-test



6.12 Technical data of the 2.4 GHz transmitter

Transmitter frequencies:	2402 MHz – 2480 MHz
Number of channels:	40
Bandwidth of each high power channel:	2 MHz
Rating/ Supplying Voltage:	3.3 V
Power limitation of the manufacturer:	0 dBm
Stand by mode supported:	Yes
Receive only mode supported:	Yes

SECTION 7

7.1 Conducted emissions

NORMATIVE REFERENCES		RESULT
Limits according to:	FCC §15.207 RSS-210, Issue 10	P
Methods of measurement according to:	ANSI C63.10 RSS-Gen, Issue 5	
Equipment mode	Power interface	1
	EUT configuration mode	2
	Operation mode	1 and 2
Test requirements	Frequency range	150 kHz - 30 MHz

Test equipment

DESCRIPTION	MANUFACTURER	TYPE	SN	ASSET NO.	CALIBRATION
Shielded cabin	ETS LINDGREN	RFSD 100	3598	PM KF 2955-2	-
Pulse Limiter 10 dB 9 kHz - 200 MHz	Schwarzbeck	VTSD 9561-F N	9561-F N242	PM KF 3059	2020-12 (1 year)
Receiver 9 kHz - 7 GHz	Rohde & Schwarz	ESR7	101757	PM KF 3371	2020-04 (1 year) 2021-04 (1 year)
V-Artificial mains- network, 2 Line	Rohde & Schwarz	ESH3-Z5	863367/018	PM KF 0142	2019-10 (2 years)
Test software	Rohde & Schwarz	EMC 32 V.8.54	-	PM KF 2983	-

Comment

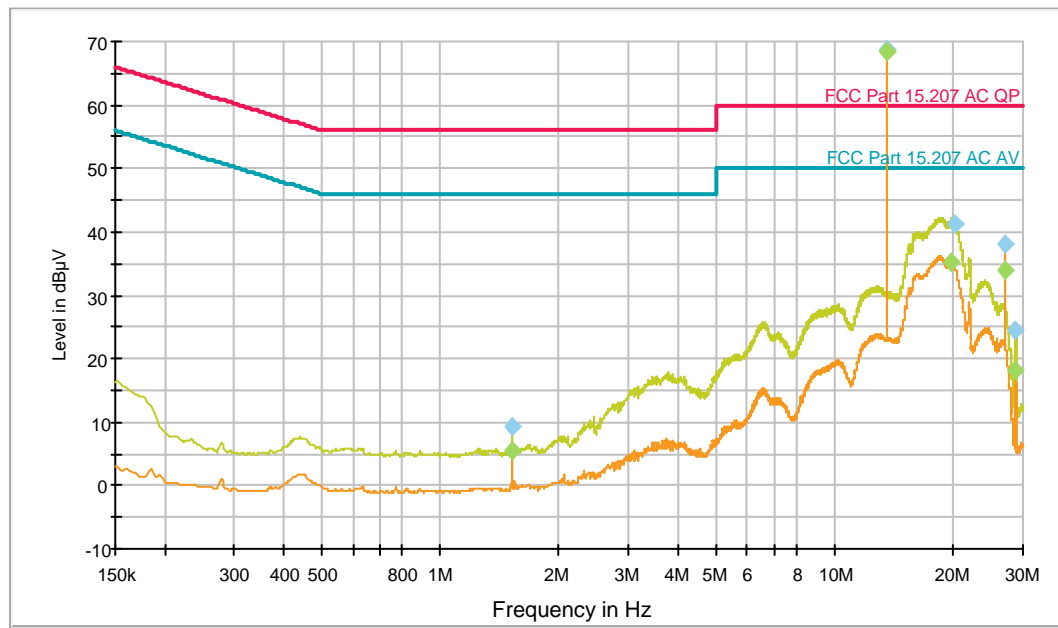
In the following diagram, the N and L line are merged.

Measurement results – Conducted emissions:

Common Information

EUT: GR7.2310
 Project No.: 40115
 Test description: Conducted Emissions
 Test standard: FCC 15 C
 Tested port: Mains
 Test verdict: Pass
 Operating conditions: Normal operation. The RFID module and the Bluetooth module of the EUT were in continuous wave mode.
 Operator name: MBE
 Date of testing: 29.05.2021

EN-CE-R32-LN01



- FCC Part 15.207 AC QP [..\EMI conducted\FCC Part 15 Subpart C\]
- FCC Part 15.207 AC AV [..\EMI conducted\FCC Part 15 Subpart C\]
- Preview Result 1-QPK [Preview Result 1.Result:1]
- Preview Result 2-CAV [Preview Result 2.Result:2]
- ◆ Final Result 1-QPK [Final Result 1.Result:1]
- ◆ Final Result 2-CAV [Final Result 2.Result:1]

Final Result 1

Frequency (MHz)	QuasiPeak-ClearWrite (dBµV)	PE	Line	Corr. (dB)	Margin (dB)	Limit (dBµV)	Comment
1.518000	9.3	GND	L1	10.2	46.7	56.0	
13.560000	68.8	GND	N	10.7	-8.8	60.0	RFID
20.258250	41.2	GND	N	11.0	18.8	60.0	
27.120750	38.1	GND	N	11.1	21.9	60.0	
28.781250	24.6	GND	N	11.1	35.4	60.0	

Final Result 2

Frequency (MHz)	CAverage-ClearWrite (dBµV)	PE	Line	Corr. (dB)	Margin (dB)	Limit (dBµV)	Comment
1.515750	5.4	GND	L1	10.2	40.6	46.0	
13.560000	68.5	GND	N	10.7	-18.5	50.0	RFID
19.783500	35.3	GND	N	10.9	14.7	50.0	
27.123000	34.0	GND	N	11.1	16.0	50.0	
28.765500	18.0	GND	N	11.1	32.0	50.0	

EMI Auto Test Template: EN-CE-R32-LN01

Hardware Setup: EN-CE-R32-LN01
Measurement Type: 2 Line LISN
Frequency Range: 150 kHz - 30 MHz
Graphics Level Range: 0 dBµV - 80 dBµV

Preview Measurements:
Scan Test Template: EN-CE-R32-LN01_PRE

Subrange	Step Size	Detectors	IF BW	Meas. Time	Preamp
9 kHz - 150 kHz	50 Hz	QPK; CAV	200 Hz	1 s	20 dB
150 kHz - 30 MHz	2.25 kHz	QPK; CAV	9 kHz	1 s	0 dB

Receiver: [ESR 7]

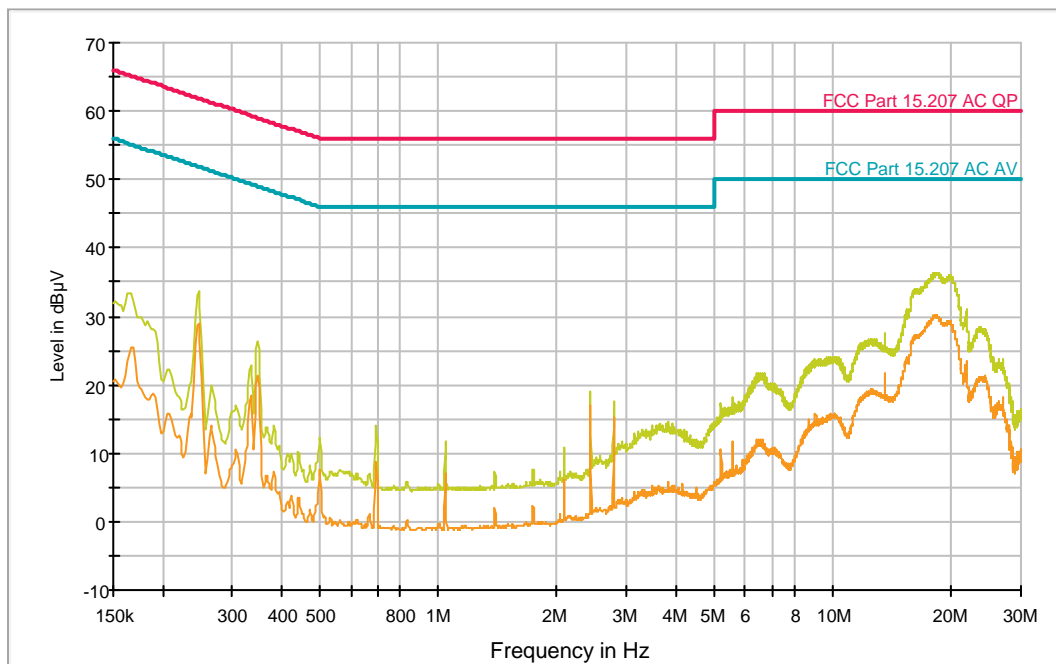
Data Reduction:
Limit Line #1: FCC Part 15.207 AC QP
Limit Line #2: FCC Part 15.207 AC AV
Peak Search: 6 dB , Maximum Results: 10
Subrange Maxima: 10 Subranges , Maxima per Subrange: 1
Acceptance Offset: -10 dB
Maximum Number of Results: 20
After Data Reduction: Interactive data reduction

Report Settings:
Report Template: Standard Report_EMC KF_Conducted Emission

Common Information

EUT: GR7.2310
 Project No.: 40115
 Test description: Conducted Emissions
 Test standard: FCC 15 C
 Tested port: Mains
 Test verdict: Passed
 Operating conditions: Continuous normal operation. The RFID module was replaced by a terminating resistor: The Bluetooth module was on.
 Operator name: MBE
 Date of testing: 25.01.2021

EN-CE-R32-LN01



- FCC Part 15.207 AC QP [..\EMI conducted\FCC Part 15 Subpart C]
- FCC Part 15.207 AC AV [..\EMI conducted\FCC Part 15 Subpart C]
- Preview Result 1-QPK [Preview Result 1.Result:1]
- Preview Result 2-CAV [Preview Result 2.Result:2]

EMI Auto Test Template: EN-CE-R32-LN01

Hardware Setup: EN-CE-R32-LN01
 Measurement Type: 2 Line LISN
 Frequency Range: 150 kHz - 30 MHz
 Graphics Level Range: 0 dBµV - 80 dBµV

Preview Measurements:
 Scan Test Template: EN-CE-R32-LN01_PRE

Subrange	Step Size	Detectors	IF BW	Meas. Time	Preamp
9 kHz - 150 kHz	50 Hz	QPK; CAV	200 Hz	1 s	20 dB
150 kHz - 30 MHz	2.25 kHz	QPK; CAV	9 kHz	1 s	0 dB

Receiver: [ESR 7]

Data Reduction:
 Limit Line #1: FCC Part 15.207 AC QP
 Limit Line #2: FCC Part 15.207 AC AV
 Peak Search: 6 dB , Maximum Results: 10
 Subrange Maxima: 10 Subranges , Maxima per Subrange: 1
 Acceptance Offset: -10 dB
 Maximum Number of Results: 20
 After Data Reduction: Interactive data reduction

Report Settings:
 Report Template: Standard Report_EMK KF_Conducted Emission

7.2 Field strength 13.110 MHz – 14.010 MHz (Emission Mask)

NORMATIVE REFERENCES		RESULT
Limits according to:	FCC §15.225 (a) – (c) RSS-210, Issue 10, section B4	P
Methods of measurement according to:	ANSI C63.10, section 6.3, 6.4 RSS-Gen 6.13, 8.9	
Equipment mode	Power interface	1
	EUT configuration mode	1
	Operation mode	1
Test requirements	Frequency range	13.110 MHz – 14.010 MHz
	Measurement time	1 s
	Antenna height	1 m

Limits

The limits below 30 MHz are given for different measurement distances. The limits below 30 MHz are converted to 3 m by using the extrapolation factor 40 dB/decade (according to §15.31).

Frequency (MHz)	Field strength (µV/m)	Field strength (dBµV/m)	Measurement distance (m)	Field strength (dBµV/m)	Measurement distance (m)
13.110 - 13.410	106	40.5	30	80.5	3
13.410 - 13.553	334	50.5	30	90.5	3
13.553 - 13.567	15848	84.0	30	124.0	3
13.567 - 13.710	334	50.5	30	90.5	3
13.710 - 14.010	106	40.5	30	80.5	3

Test setup details

Compliance with the spectrum mask is tested using a spectrum analyzer with resolution bandwidth set to 10 kHz or 9 kHz CISPR. The video bandwidth shall be at least three times greater than the resolution bandwidth.

The test was carried out automatically by the test receiver.

The EUT is a table-top EUT and was standing on a table made of Styrodur with a Pertinax plate on top and the dimensions 1.6 m x 1.0 m x 0.8 m (Length x Width x Height).

The emission limits shown in the above table are based on measurements employing a CISPR quasi-peak detector.

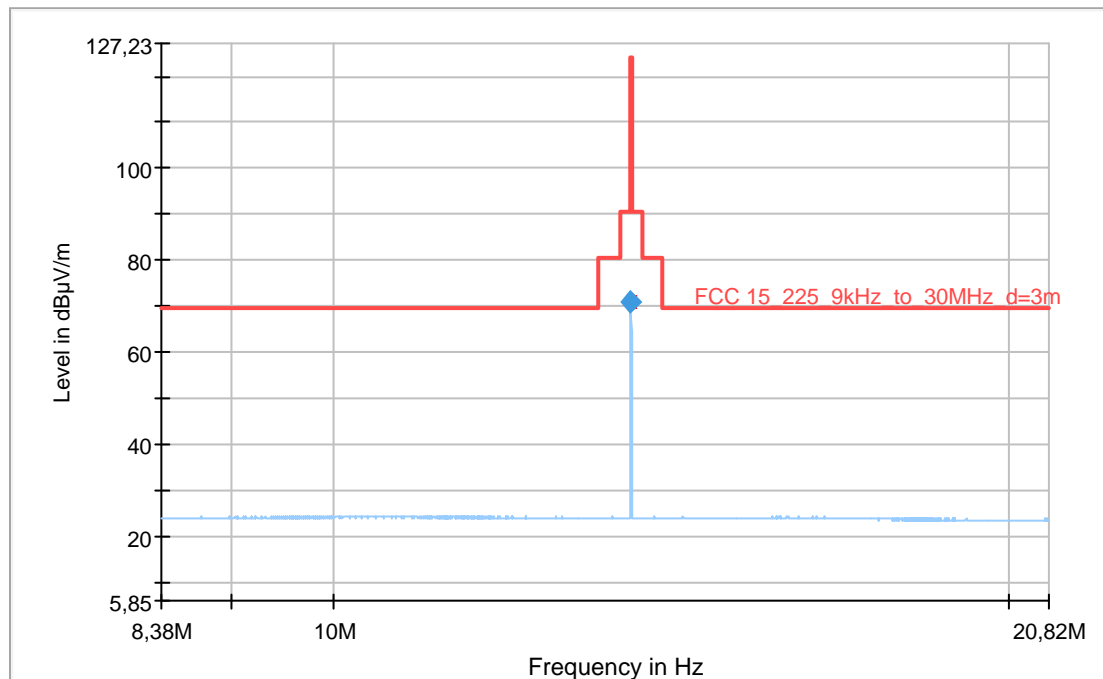
Test equipment

DESCRIPTION	MANUFACTURER	TYPE	SN	ASSET NO.	CALIBRATION
Semi-Anechoic chamber (30 – 1000 MHz)	Siepel	REF W460SLB	-	PM KF 1150-01	2019-12 (3 years)
Turntable	Inn-Co	-	-	PM KF 2949-04	-
Tower	Inn-Co	MA4484-XPET	-	PM KF 2949-03	-
Controller	Inn-Co	CO 3000	4970815	PM KF 2949	-
Receiver 9 kHz - 7 GHz	Rohde & Schwarz	ESR7	101757	PM KF 3371	2020-04 (1 year)
Loop antenna 9 kHz- 30 MHz	Rohde & Schwarz	HFH2-Z2	881058/48	PM KF 1401	2020-08 (1 years)
Test software	Rohde & Schwarz	EMC 32 V.10.50.40	-	PM KF 2983-2	-

Measurement results – Field strength 13.110 MHz – 14.010 MHz (Emission Mask):

Common Information

EUT: GR7.2310
 Test Verdict: Passed
 Test Description: FCC Part 15 C, field strength
 Operating Conditions: The RFID module and the Bluetooth module of the EUT were in continuous wave mode.
 Operator Name: MBE
 Project Number: 40115
 Date: 12.12.2020



- Preview Result 1-QPK [Preview Result 1.Result:1]
- * Critical_Freqs AVG [Critical_Freqs.Result:5]
- * Critical_Freqs QPK [Critical_Freqs.Result:4]
- FCC 15_225_9kHz_to_30MHz_d=3m [.\zF radiated\FCC Part 15C]
- ◆ Final_Result QPK [Final_Result.Result:4]
- ◆ Final_Result AVG [Final_Result.Result:5]

Final_Result

Frequency (MHz)	QuasiPeak (dBµV/m)	Average (dBµV/m)	Limit (dBµV/m)	Margin (dB)	Meas. Time (ms)	Bandwidth (kHz)	Pol	Azimuth (deg)
13.560000	70.83	---	124.00	53.17	1000.0	9.000	H	110.0

(continuation of the "Final_Result" table from column 14 ...)

Frequency (MHz)	Corr. (dB/m)	Comment
13.560000	20	-

Comment

The RFID transmitter was operated in CW mode. Therefore, the bandwidth of the transmitting signal is smaller than the measuring bandwidth of the measuring receiver. Thus, a measurement with a larger measurement bandwidth was not necessary.

EMI Auto Test Template: FCC-RE-R17-AN23

Hardware Setup: EN-RE-R12-AN23
 Measurement Type: Open-Area-Test-Site (SAC/FAR)
 Frequency Range: 9 kHz - 30 MHz
 Graphics Level Range: 0 dB μ V/m - 130 dB μ V/m

Preview Measurements:
 Antenna height: 0 - 1000 cm , Step Size = 0 cm , Positioning Speed = 1
 Polarization: H + V
 Turntable position: 0 - 352 deg , Step Size = 22 deg , Positioning Speed = 8
 Scan Test Template: EN-RE-R12-AN23_PRE

Subrange	Step Size	Detectors	IF BW	Meas. Time	Preamp
Receiver: [ESR 7]					
9 kHz - 150 kHz	50 Hz	QPK	200 Hz	1 s	0 dB
150 kHz - 30 MHz	2,25 kHz	QPK	9 kHz	1 s	0 dB

Anechoic chamber

Test procedure

The test site is an anechoic chamber suitable for radiated emission measurements in the frequency range of 9 kHz – 30 MHz It includes automatic turntable of radius 2 m. It enables manual and fully automatic measurements.

To find the highest level of radiation

- the height of the antenna is 1m with antenna in horizontal and vertical polarization;
- the turntable is rotated in range from 0° to 360°.

The system was configured for testing in a typical worst case fashion (as a customer may use it). All interface cables were moved to determine the position which resulted in the highest emission levels.

Correction factors

The field strength is calculated by adding the antenna factor and cable attenuation.

The calculations are performed automatically by the measurement software EMC 32.

As example consider the following input values and result:

FREQUENCY (MHZ)	RECEIVER READING U (dBμV)	ANTENNA FACTOR AF (dB/m)	CABLE ATTENUATION A (dB)	CORRECTION ANTENNA + CABLE (dB)	RADIATED FIELD STRENGTH E (dBμV/m)
30.0	20	20.6	0.8	21.4	41.4

$$E = U + AF + A$$

7.3 Radiated emissions < 30 MHz

NORMATIVE REFERENCES		RESULT
Limits according to:	FCC §15.225 (d), §15.209 RSS-210, Issue 10, section B4	P
Methods of measurement according to:	ANSI C63.10, section 6.3, 6.4 RSS-Gen 6.13, 8.9	
Equipment mode	Power interface	1
	EUT configuration mode	1
	Operation mode	1
Test requirements	Frequency range	9 kHz - 30 MHz
	Antenna height	1 m

Limits

The limits below 30 MHz are given for different measurement distances. The limits below 30 MHz are converted to 3 m by using the extrapolation factor 40 dB/decade (according to §15.31).

Frequency (MHz)	Field strength (µV/m)	Field strength (dBµV/m)	Measurement distance (m)
0.009 - 0.490	2400/F(kHz)	67.6 - 20 · log(F(kHz))	300
0.490 - 1.705	24000/F(kHz)	87.6 - 20 · log(F(kHz))	30
1.705 - 13.110	30	29.5	30
14.010 - 30.000	30	29.5	30

Additionally, the level of any unwanted emissions shall not exceed the level of the fundamental emission.

Test setup details

Compliance with the spectrum mask is tested using a spectrum analyzer with resolution bandwidth set to 10 kHz or 9 kHz CISPR. The video bandwidth shall be at least three times greater than the resolution bandwidth.

The test was carried out automatically by the test receiver.

The EUT is a table-top EUT and was standing on a table made of Styrodur with a Pertinax plate on top and the dimensions 1.6 m x 1.0 m x 0.8 m (Length x Width x Height).

The emission limits shown in the above table are based on measurements employing a CISPR quasi-peak detector except for the frequency bands 9-90 kHz, 110-490 kHz and above 1000 MHz. Radiated emission limits in these three bands are based on measurements employing an average detector.

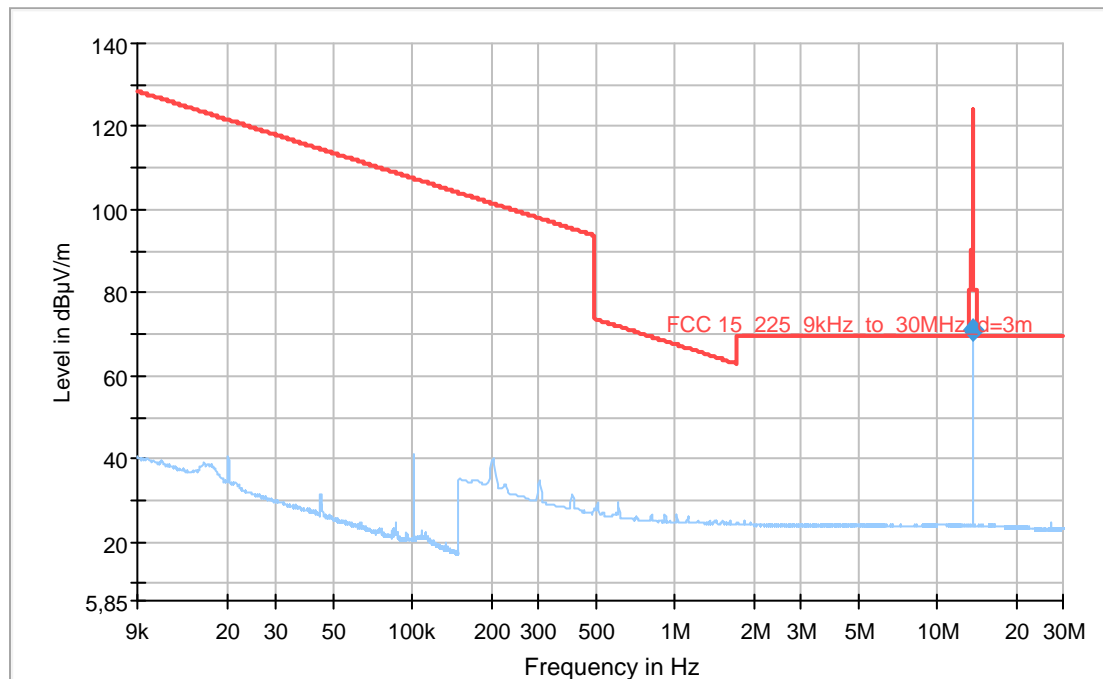
Test equipment

DESCRIPTION	MANUFACTURER	TYPE	SN	ASSET NO.	CALIBRATION
Semi-Anechoic chamber (30 – 1000 MHz)	Siepel	REF W460SLB	-	PM KF 1150-01	2019-12 (3 years)
Turntable	Inn-Co	-	-	PM KF 2949-04	-
Tower	Inn-Co	MA4484-XPET	-	PM KF 2949-03	-
Controller	Inn-Co	CO 3000	4970815	PM KF 2949	-
Receiver 9 kHz - 7 GHz	Rohde & Schwarz	ESR7	101757	PM KF 3371	2020-04 (1 year)
Loop antenna 9 kHz- 30 MHz	Rohde & Schwarz	HFH2-Z2	881058/48	PM KF 1401	2020-08 (1 years)
Test software	Rohde & Schwarz	EMC 32 V.10.50.40	-	PM KF 2983-2	-

Measurement results – Radiated emissions < 30 MHz:

Common Information

EUT: GR7.2310
 Test Verdict: Passed
 Test Description: FCC Part 15 C, 9kHz - 30 MHz
 Operating Conditions: The RFID module and the Bluetooth module of the EUT were in continuous wave mode.
 Operator Name: MBE
 Project Number: 40115
 Date: 12.12.2020



- Preview Result 1-QPK [Preview Result 1.Result:1]
- * Critical_Freqs AVG [Critical_Freqs.Result:5]
- * Critical_Freqs QPK [Critical_Freqs.Result:4]
- FCC 15_225_9kHz_to_30MHz_d=3m [.\ZF radiated\FCC Part 15C]
- ◆ Final_Result QPK [Final_Result.Result:4]
- ◆ Final_Result AVG [Final_Result.Result:5]

Final_Result

Frequency (MHz)	QuasiPeak (dBµV/m)	Average (dBµV/m)	Limit (dBµV/m)	Margin (dB)	Meas. Time (ms)	Bandwidth (kHz)	Pol	Azimuth (deg)
13.560000	70.83	---	124.00	53.17	1000.0	9.000	H	110.0

(continuation of the "Final_Result" table from column 14 ...)

Frequency (MHz)	Corr. (dB/m)	Comment
13.560000	20	-

EMI Auto Test Template: FCC-RE-R17-AN23

Hardware Setup: EN-RE-R12-AN23
 Measurement Type: Open-Area-Test-Site (SAC/FAR)
 Frequency Range: 9 kHz - 30 MHz
 Graphics Level Range: 0 dB μ V/m - 130 dB μ V/m

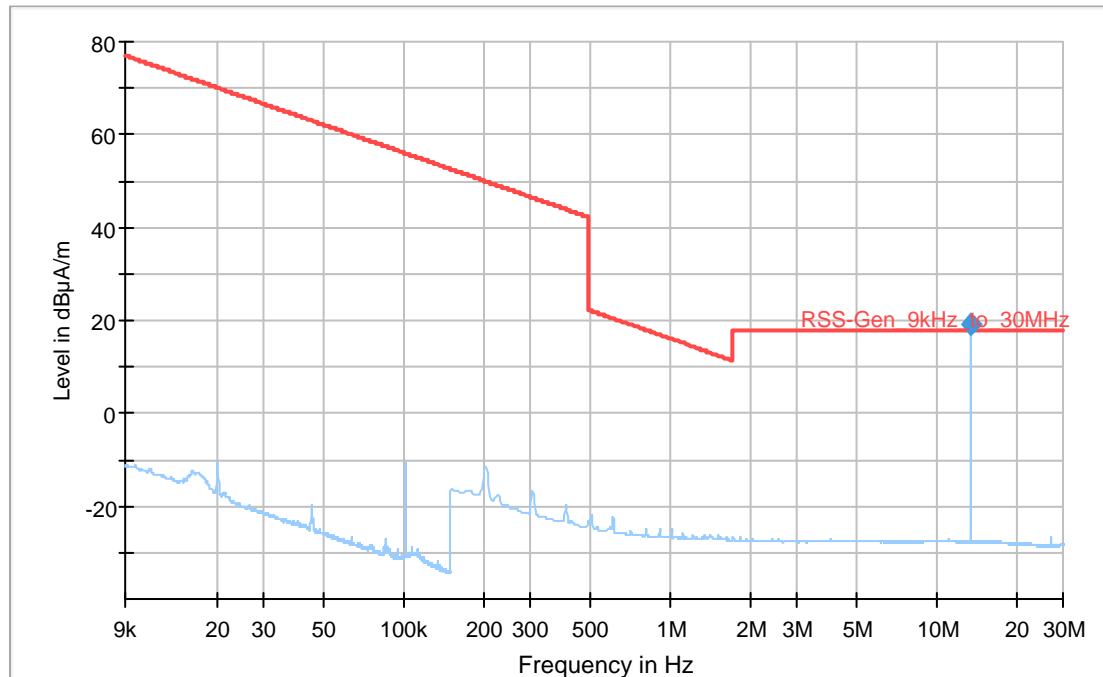
Preview Measurements:
 Antenna height: 0 - 1000 cm , Step Size = 0 cm , Positioning Speed = 1
 Polarization: H + V
 Turntable position: 0 - 352 deg , Step Size = 22 deg , Positioning Speed = 8
 Scan Test Template: EN-RE-R12-AN23_PRE

Subrange	Step Size	Detectors	IF BW	Meas. Time	Preamp
Receiver: [ESR 7]					
9 kHz - 150 kHz	50 Hz	QPK	200 Hz	1 s	0 dB
150 kHz - 30 MHz	2,25 kHz	QPK	9 kHz	1 s	0 dB

Common Information

EUT: GR7.2310
 Test Verdict: Passed
 Test Description: RSS-Gen, 9 kHz - 30 MHz
 Operating Conditions: The RFID module and the Bluetooth module of the EUT were in continuous wave mode.

Operator Name: MBE
 Project Number: 40115
 Date: 12.12.2020



- Preview Result 1-QPK [Preview Result 1.Result:1]
- RSS-Gen_9kHz_to_30MHz [.\zF radiated\RSS-Gen]
- * QPK [Critical_Freqs.Result:4]
- * AVG [Critical_Freqs.Result:5]
- ◆ Final_Result QPK [Final_Result.Result:4]
- ◆ Final_Result AVG [Final_Result.Result:5]

Final_Result

Frequency (MHz)	QuasiPeak (dBµA/m)	Average (dBµA/m)	Limit (dBµA/m)	Margin (dB)	Meas. Time (ms)	Bandwidth (kHz)	Pol	Azimuth (deg)
13.560000	19.33	---	---	---	1000.0	9.000	H	110.0

(continuation of the "Final_Result" table from column 14 ...)

Frequency (MHz)	Corr. (dB/m)	Comment
13.560000	20.0	The field strength of the RFID module shall not exceed 124 dBµV/m. The field strength was measured and is 70.83 dBµV/m.

EMI Auto Test Template: EN-RE-R17-AN24

Hardware Setup: EN-RE-R12-AN24
 Measurement Type: Open-Area-Test-Site (SAC/FAR)
 Frequency Range: 9 kHz - 30 MHz
 Graphics Level Range: -40 dBμA/m - 80 dBμA/m

Preview Measurements:
 Antenna height: 0 - 1000 cm , Step Size = 0 cm , Positioning Speed = 1
 Polarization: H + V
 Turntable position: 0 - 352 deg , Step Size = 22 deg , Positioning Speed = 8
 Scan Test Template: EN-RE-R12-AN24_PRE

Subrange	Step Size	Detectors	IF BW	Meas. Time	Preamp
Receiver: [ESR 7]					
9 kHz - 150 kHz	50 Hz	QPK	200 Hz	1 s	0 dB
150 kHz - 30 MHz	2,25 kHz	QPK	9 kHz	1 s	0 dB

Anechoic chamber

Test procedure

The test site is an anechoic chamber suitable for radiated emission measurements in the frequency range of 9 kHz – 30 MHz It includes automatic turntable of radius 2 m. It enables manual and fully automatic measurements.

To find the highest level of radiation

- the height of the antenna is 1m with antenna in horizontal and vertical polarization;
- the turntable is rotated in range from 0° to 360°.

The system was configured for testing in a typical worst case fashion (as a customer may use it). All interface cables were moved to determine the position which resulted in the highest emission levels.

Correction factors

The field strength is calculated by adding the antenna factor and cable attenuation.

The calculations are performed automatically by the measurement software EMC 32.

As example consider the following input values and result:

FREQUENCY (MHZ)	RECEIVER READING U (dBμV)	ANTENNA FACTOR AF (dB/m)	CABLE ATTENUATION A (dB)	CORRECTION ANTENNA + CABLE (dB)	RADIATED FIELD STRENGTH E (dBμV/m)
30.0	20	20.6	0.8	21.4	41.4

$$E = U + AF + A$$

7.4 Radiated emissions 30 MHz to 26 GHz

NORMATIVE REFERENCES		RESULT
Limits according to:	FCC §15.225 (d), §15.209 RSS-210, Issue 10, section B4	P
Methods of measurement according to:	ANSI C63.10, section 6.3, 6.5 RSS-Gen 6.13, 8.9	
Equipment mode	Power interface	1
	EUT configuration mode	1
	Operation mode	1
Test requirements	Frequency range	30 MHz - 26 GHz

Limits

Frequency (MHz)	Field strength (µV/m)	Field strength (dBµV/m)	Measurement distance (m)
30 – 88	100	40.0	3
88 – 216	150	43.5	3
216 – 960	200	46.0	3
Above 960	500	54.0	3

Test setup details

The EUT is a table-top EUT and was standing on a table made of Styrodur with a Pertinax plate on top and the dimensions 1.6 m x 1.0 m x 0.8 m (Length x Width x Height).

Overview sweeps performed with peak detectors and final measurement with quasi-peak detectors. The emission limits shown in the above table are based on measurements employing a CISPR quasi-peak detector.

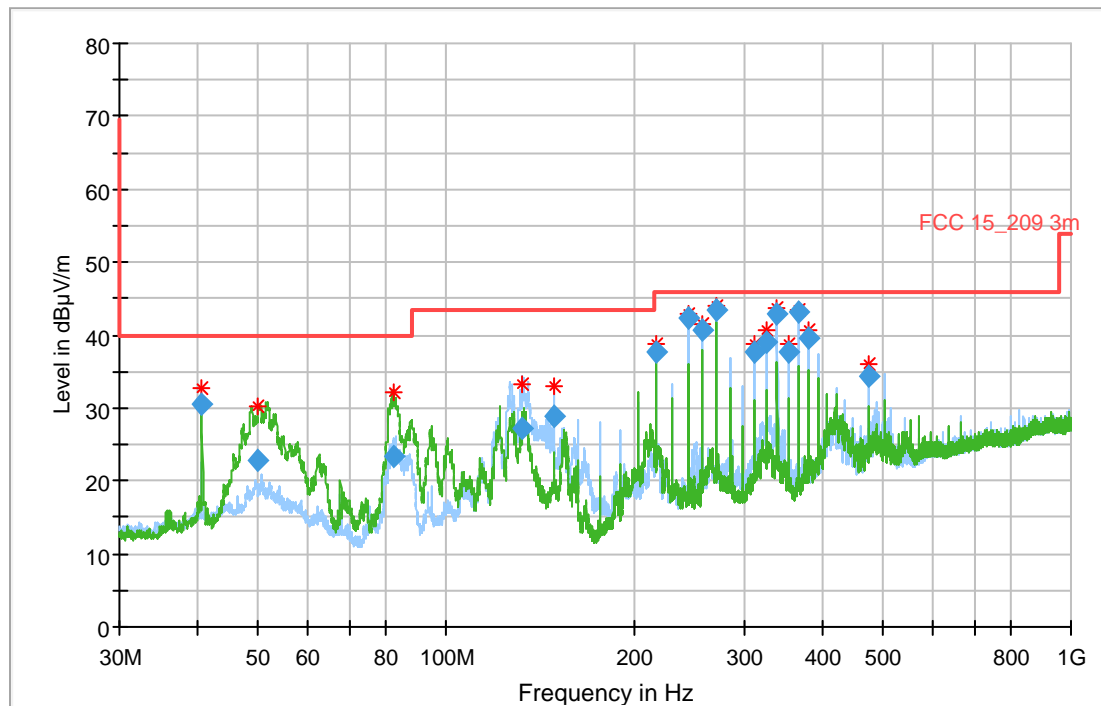
Test equipment

DESCRIPTION	MANUFACTURER	TYPE	SN	ASSET NO.	CALIBRATION
Semi-Anechoic chamber (30 – 1000 MHz)	Siepel	REF W460SLB	-	PM KF 1150-01	2019-12 (3 years)
Turntable	Inn-Co	-	-	PM KF 2949-04	-
Tower	Inn-Co	MA4484-XPET	-	PM KF 2949-03	-
Controller	Inn-Co	CO 3000	4970815	PM KF 2949	-
Receiver 9 kHz - 7 GHz	Rohde & Schwarz	ESR7	101757	PM KF 3371	2020-04 (1 year)
Trilog broadband antenna	Schwarzbeck	VULB 9163	9163-974	PM KF 3196	2021-01 (1 year)
Receiver 10 Hz - 40 GHz	Rohde & Schwarz	FSV40	101400	PM KF 2783	2020-08 (1 year)
Horn antenna 1 - 18 GHz	Rohde & Schwarz	HF906	100188	PM KF 0947	2020-05 (2 years)
Horn antenna preamp. 3 - 18 GHz	Bonn	BLMA 0118-BT	076609	PM KF 1047	2020-01 (2 years)
Test software	Rohde & Schwarz	EMC 32 V.10.50.40	-	PM KF 2983-2	-

Measurement results – Radiated emissions:

Common Information (30 MHz – 1 GHz)

EUT: GR7.2310
 Test Verdict: Passed
 Test Description: FCC Part 15 C, 30 MHz - 1 GHz
 Operating Conditions: The RFID module and the Bluetooth module of the EUT were in continuous wave mode.
 Operator Name: MBE
 Project Number: 40115
 Date: 23.01.2021



- Preview Result 1H-PK+ [Preview Result 1H.Result:2]
- Preview Result 1V-PK+ [Preview Result 1V.Result:2]
- * Critical_Freqs PK+ [Critical_Freqs.Result:4]
- FCC 15_209 3m [..\EMI radiated\FCC Part 15C]
- ◆ Final_Result QPK [Final_Result.Result:4]

Final_Result

Frequency (MHz)	QuasiPeak (dBµV/m)	Limit (dBµV/m)	Margin (dB)	Meas. Time (ms)	Bandwidth (kHz)	Height (cm)	Pol	Azimuth (deg)
40.680000	30.55	40.00	9.45	1000.0	120.000	102.0	V	309.0
50.100000	22.95	40.00	17.05	1000.0	120.000	103.0	V	15.0
82.320000	23.42	40.00	16.58	1000.0	120.000	131.0	V	206.0
132.600000	27.32	43.52	16.20	1000.0	120.000	245.0	H	245.0
149.160000	29.00	43.52	14.52	1000.0	120.000	152.0	H	66.0
216.960000	37.74	46.02	8.28	1000.0	120.000	217.0	V	152.0
244.080000	42.23	46.02	3.79	1000.0	120.000	114.0	H	230.0
257.640000	40.81	46.02	5.21	1000.0	120.000	100.0	H	223.0
271.200000	43.48	46.02	2.54	1000.0	120.000	125.0	H	220.0
311.880000	37.78	46.02	8.24	1000.0	120.000	100.0	H	220.0
325.440000	38.95	46.02	7.07	1000.0	120.000	100.0	H	212.0
339.000000	42.84	46.02	3.18	1000.0	120.000	103.0	H	212.0
352.560000	37.76	46.02	8.26	1000.0	120.000	100.0	H	201.0
366.120000	43.06	46.02	2.96	1000.0	120.000	100.0	H	205.0
379.680000	39.56	46.02	6.46	1000.0	120.000	100.0	H	209.0
474.600000	34.36	46.02	11.66	1000.0	120.000	197.0	H	19.0

(continuation of the "Final_Result" table from column 15 ...)

Frequency (MHz)	Corr. (dB/m)	Comment
40.680000	13	RFID
50.100000	14	-
82.320000	8	-
132.600000	11	-
149.160000	10	RFID
216.960000	13	RFID
244.080000	14	RFID
257.640000	15	RFID
271.200000	15	RFID
311.880000	16	RFID
325.440000	16	RFID
339.000000	17	RFID
352.560000	17	RFID
366.120000	17	RFID
379.680000	17	RFID
474.600000	19	RFID

EMI Auto Test Template: FCC-RE-R17-AN34

Hardware Setup: EN-RE-R17-AN34
 Measurement Type: Open-Area-Test-Site (SAC/FAR)
 Frequency Range: 30 MHz - 1 GHz
 Graphics Level Range: 0 dBµV/m - 80 dBµV/m

Preview Measurements:
 Antenna height: 100 - 355 cm , Step Size = 85 cm , Positioning Speed = 8
 Polarization: H + V
 Turntable position: 0 - 352 deg , Step Size = 22 deg , Positioning Speed = 8
 Graphics Display: Show separate traces for horizontal and vertical polarization
 Scan Test Template: EN-RE-R17-AN34_PRE

Subrange	Step Size	Detectors	IF BW	Meas. Time	Preamp
Receiver: [ESR 7]					
30 MHz - 1 GHz	30 kHz	PK+	120 kHz	0,5 s	20 dB
1 GHz - 3 GHz	250 kHz	PK+	1 MHz	0,1 s	20 dB

Frequency Zoom:
 Zoom Scan Template: EN-RE-R17-AN34_ZOOM

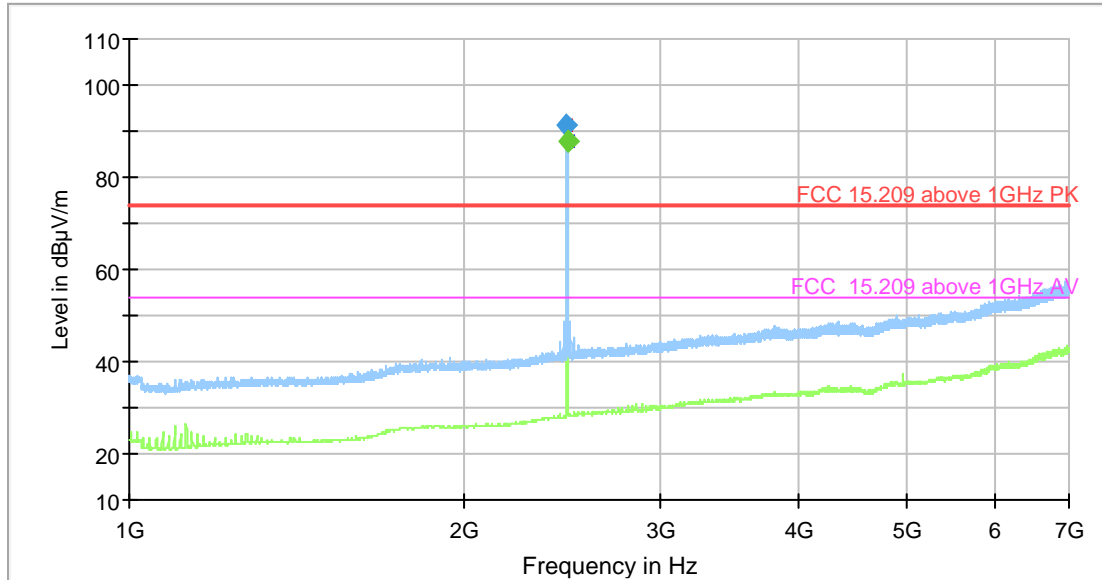
Adjustment:
 Antenna height: Range = 180 cm , Measuring Speed = 1
 Turntable position: Range = 60 deg , Measuring Speed = 2
 Template for Single Meas.: EN-RE-R17-AN34_ADJ

Final Measurements:
 Template for Single Meas.: EN-RE-R17-AN34_FIN_15s

Subrange	Step Size	Detectors	IF BW	Meas. Time	Preamp
Receiver: [ESR 7]					
30 MHz - 200 MHz	40 kHz	QPK	120 kHz	1 s	20 dB
200 MHz - 1 GHz	40 kHz	QPK	120 kHz	1 s	20 dB
1 GHz - 3 GHz	400 kHz	QPK	1 MHz	1 s	20 dB

Common Information (1 GHz – 7 GHz)

EUT: GR7.2310
 Test Verdict: Pass
 Test Description: FCC Part 15 C,1 GHz - 7 GHz
 Operating Conditions: The RFID module and the Bluetooth module of the EUT were in continuous wave mode.
 Operator Name: MBE
 Project Number: 40115
 Date: 12.12.2020



- Preview Result 2-AVG [Preview Result 2.Result:2]
- Preview Result 1-PK+ [Preview Result 1.Result:1]
- FCC 15.209 above 1GHz PK [..\EMI radiated\FCC Part 15C\]
- FCC 15.209 above 1GHz AV [..\EMI radiated\FCC Part 15C\]
- * PK+ [Critical_Freqs.Result:4]
- * AVG [Critical_Freqs.Result:5]
- * MaxPeak-PK+ (Single) [Result Table_Single.Result:1]
- + Average-AVG (Single) [Result Table_Single.Result:3]
- ◆ Final_Result PK+ [Final_Result.Result:4]
- ◆ Final_Result-AVG [Final_Result.Result:5]

Final_Result

Frequency (MHz)	MaxPeak (dBµV/m)	Average (dBµV/m)	Limit (dBµV/m)	Margin (dB)	Meas. Time (ms)	Bandwidth (kHz)	Height (cm)	Pol
2475.750000	91.31	---	---	---	1000.0	1000.000	101.0	V
2476.000000	---	87.79	---	---	1000.0	1000.000	100.0	V

(continuation of the "Final_Result" table from column 14 ...)

Frequency (MHz)	Azimuth (deg)	Corr. (dB)	Comment
2475.750000	77.0	30.5	-
2476.000000	77.0	30.5	-

EMI Auto Test Template: xF-RE-R17-AN20

Hardware Setup: xF-RE-R17-AN20
 Measurement Type: Open-Area-Test-Site (SAC/FAR)
 Frequency Range: 1 GHz - 7 GHz
 Graphics Level Range: 10 dB μ V/m - 110 dB μ V/m

Preview Measurements:
 Antenna height: 100 - 355 cm , Step Size = 85 cm , Positioning Speed = 8
 Polarization: H + V
 Turntable position: 0 - 352 deg , Step Size = 22 deg , Positioning Speed = 8
 Scan Test Template: xF-RE-R17-AN20_PRE

Subrange	Step Size	Detectors	IF BW	Meas. Time	Preamp
Receiver: [ESR 7] 1 GHz - 7 GHz	250 kHz	PK+ ; AVG	1 MHz	0,01 s	20 dB

Frequency Zoom:
 Zoom Scan Template: xF-RE-R17-AN20_MAX

Adjustment:
 Antenna height: Range = 180 cm , Measuring Speed = 2
 Turntable position: Range = 60 deg , Measuring Speed = 2
 Template for Single Meas.: xF-RE-R17-AN20_MAX

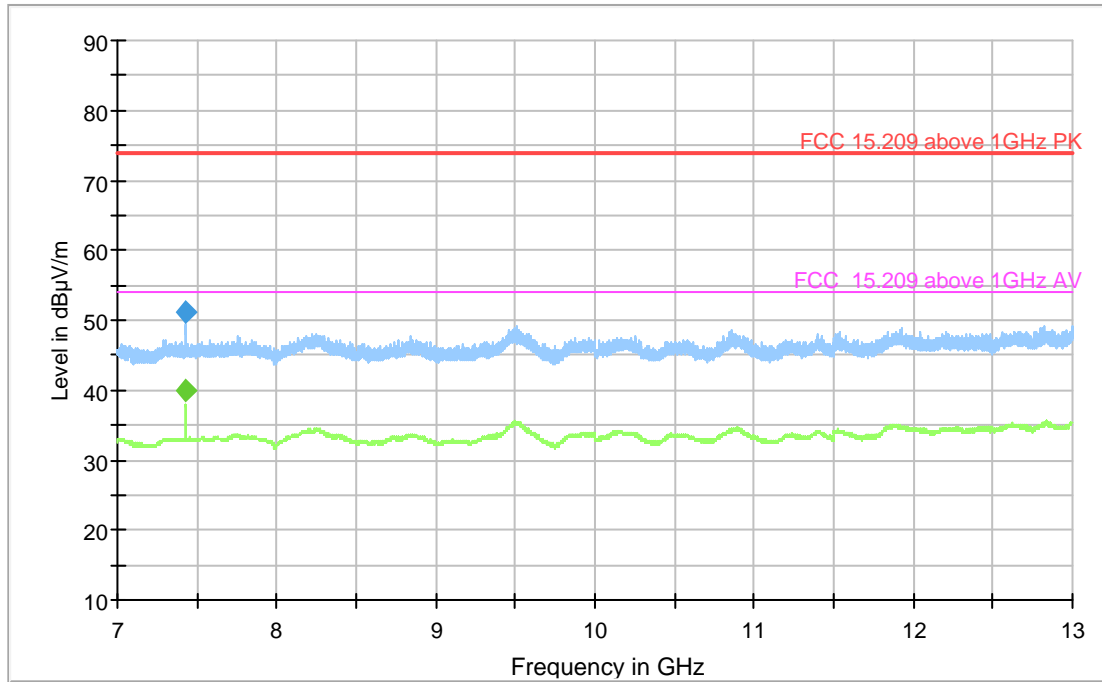
Final Measurements:
 Template for Single Meas.: xF-RE-R17-AN20_FIN

Subrange	Step Size	Detectors	IF BW	Meas. Time	Preamp
Receiver: [ESR 7] 1 GHz - 7 GHz	400 kHz	PK+ ; AVG	1 MHz	1 s	20 dB

Common Information (7 GHz . 13 GHz)

EUT: GR7.2310
 Test Verdict: Passed
 Test Description: FCC Part 15 C,7 GHz - 13 GHz
 Operating Conditions: The RFID module and the Bluetooth module of the EUT were in continuous wave mode.

Operator Name: MBE
 Project Number: 40115
 Date: 14.12.2020



- Preview Result 2-AVG [Preview Result 2.Result:2]
- Preview Result 1-PK+ [Preview Result 1.Result:1]
- FCC 15.209 above 1GHz PK [.\EMI radiated\FCC Part 15C]
- FCC 15.209 above 1GHz AV [.\EMI radiated\FCC Part 15C]
- ◆ Final_Result PK+ [Final_Result.Result:4]
- ◆ Final_Result AVG [Final_Result.Result:5]

Final_Result

Frequency (MHz)	MaxPeak (dBµV/m)	Average (dBµV/m)	Limit (dBµV/m)	Margin (dB)	Meas. Time (ms)	Bandwidth (kHz)	Height (cm)	Pol
7427.170625	51.17	---	74.00	22.83	1000.0	1000.000	177.0	H
7427.399375	---	39.80	54.00	14.20	1000.0	1000.000	174.0	H

(continuation of the "Final_Result" table from column 14 ...)

Frequency (MHz)	Azimuth (deg)	Corr. (dB)	Comment
7427.170625	265.0	-7.4	14:31:24 - 14.12.2020
7427.399375	264.0	-7.4	14:40:32 - 14.12.2020

EMI Auto Test Template: xF-RE-R15-PAM03-AN20

Hardware Setup: xF-RE-R15-PAM03-AN20
 Measurement Type: Open-Area-Test-Site (SAC/FAR)
 Frequency Range: 7 GHz - 13 GHz
 Graphics Level Range: 10 dB μ V/m - 90 dB μ V/m

Preview Measurements:
 Antenna height: 100 - 355 cm , Step Size = 85 cm , Positioning Speed = 8
 Polarization: H + V
 Turntable position: 0 - 352 deg , Step Size = 22 deg , Positioning Speed = 8
 Sweep Test Template: xF-RE-R15-PAM03_AN20_PRE

Subrange	Step Size	Detectors	Bandwidth	Sweep Time	Preamp
Receiver: [FSV 40] 1 GHz - 18 GHz	531,25 kHz	PK+ ; AVG	1 MHz	100 s	0 dB

Frequency Zoom:
 Zoom Sweep Template: xF-RE-R15-PAM03_AN20_MAX

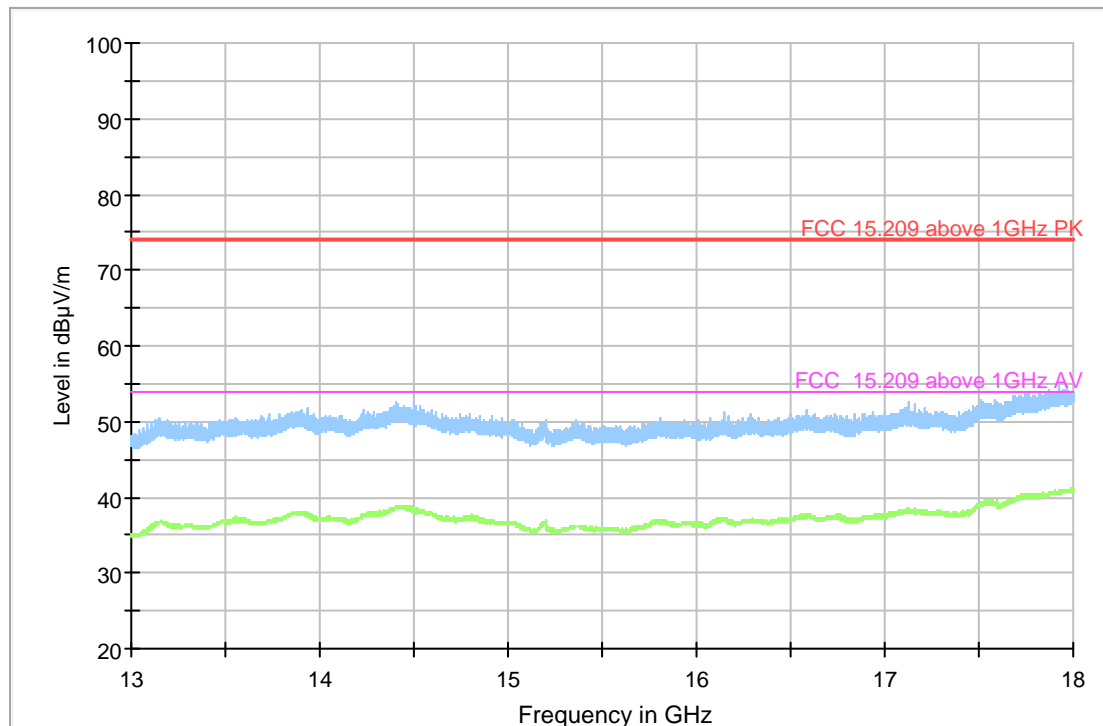
Adjustment:
 Antenna height: Range = 180 cm , Measuring Speed = 2
 Turntable position: Range = 60 deg , Measuring Speed = 2
 Template for Single Meas.: xF-RE-R15-PAM03-AN20_ADJ

Final Measurements:
 Template for Single Meas.: xF-RE-R15-PAM03-AN20_FIN

Subrange	Step Size	Detectors	IF BW	Meas. Time	Preamp
Receiver: [FSV 40] 1 GHz - 18 GHz	100 kHz	PK+ ; AVG	1 MHz	1 s	0 dB

Common Information (13 GHz – 18 GHz)

EUT:	GR7.2310
Test Verdict:	Passed
Test Description:	FCC Part 15 C, 13 GHz - 18 GHz
Operating Conditions:	The RFID module and the Bluetooth module of the EUT were in continuous wave mode.
Operator Name:	MBE
Project Number:	40115
Date:	22.12.2020



- Preview Result 2-AVG [Preview Result 2.Result:2]
- Preview Result 1-PK+ [Preview Result 1.Result:1]
- FCC 15.209 above 1GHz PK [..\EMI radiated\FCC Part 15C\]
- FCC 15.209 above 1GHz AV [..\EMI radiated\FCC Part 15C\]

EMI Auto Test Template: xF-RE-R15-PAM03-AN20

Hardware Setup: xF-RE-R15-PAM03-AN20
 Measurement Type: Open-Area-Test-Site (SAC/FAR)
 Frequency Range: 13 GHz - 18 GHz
 Graphics Level Range: 10 dB μ V/m - 90 dB μ V/m

Preview Measurements:
 Antenna height: 100 - 355 cm , Step Size = 85 cm , Positioning Speed = 8
 Polarization: H + V
 Turntable position: 0 - 352 deg , Step Size = 22 deg , Positioning Speed = 8
 Sweep Test Template: xF-RE-R15-PAM03_AN20_PRE

Subrange	Step Size	Detectors	Bandwidth	Sweep Time	Preamp
Receiver: [FSV 40] 1 GHz - 18 GHz	531,25 kHz	PK+ ; AVG	1 MHz	50 s	0 dB

Frequency Zoom:
 Zoom Sweep Template: xF-RE-R15-PAM03_AN20_MAX

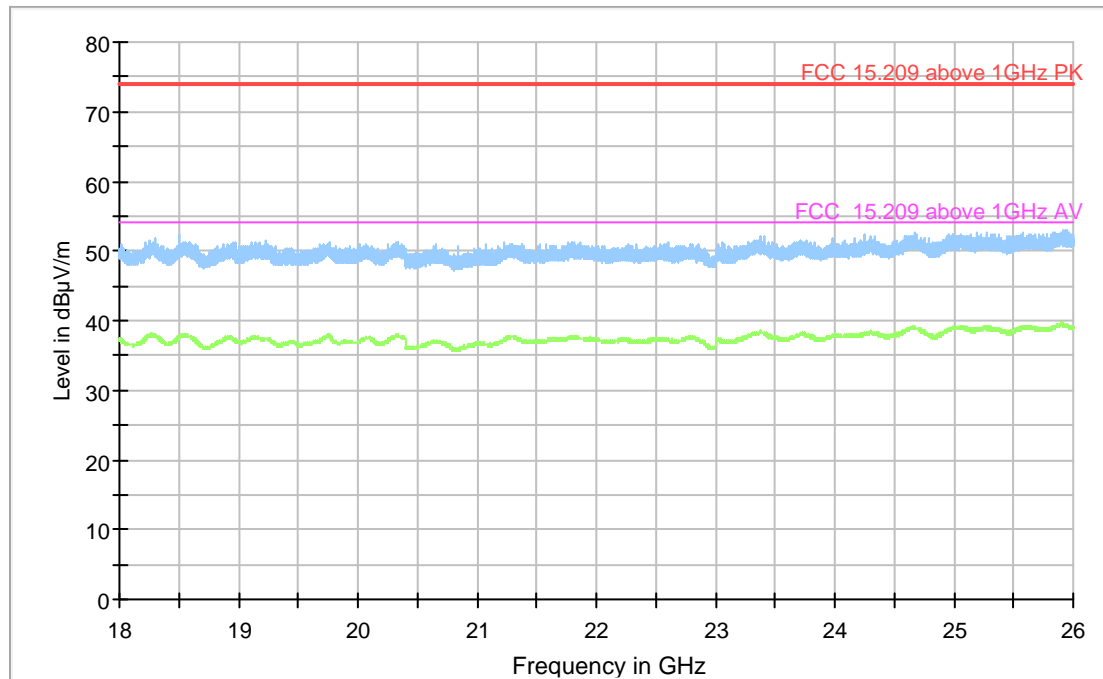
Adjustment:
 Antenna height: Range = 180 cm , Measuring Speed = 2
 Turntable position: Range = 60 deg , Measuring Speed = 2
 Template for Single Meas.: xF-RE-R15-PAM03-AN20_ADJ

Final Measurements:
 Template for Single Meas.: xF-RE-R15-PAM03-AN20_FIN

Subrange	Step Size	Detectors	IF BW	Meas. Time	Preamp
Receiver: [FSV 40] 1 GHz - 18 GHz	100 kHz	PK+ ; AVG	1 MHz	1 s	0 dB

Common Information (18 GHz – 26 GHz)

EUT:	GR7.2310
Test Verdict:	Passed
Test Description:	FCC Part 15 C, 18 GHz - 26 GHz
Operating Conditions:	The RFID module and the Bluetooth module of the EUT were in continuous wave mode.
Operator Name:	MBE
Project Number:	40115
Date:	23.12.2020



- Preview Result 2-AVG [Preview Result 2.Result:2]
- Preview Result 1-PK+ [Preview Result 1.Result:1]
- FCC 15.209 above 1GHz PK [.\EMI radiated\FCC Part 15C\]
- FCC 15.209 above 1GHz AV [.\EMI radiated\FCC Part 15C\]
- ◆ Final_Result PK+ [Final_Result.Result:4]
- ◆ Final_Result AVG [Final_Result.Result:5]

EMI Auto Test Template: xF-RE-R15-AN06

Hardware Setup: xF-RE-R15-AN06
 Measurement Type: Open-Area-Test-Site (SAC/FAR)
 Frequency Range: 18 GHz - 26 GHz
 Graphics Level Range: 0 dBµV/m - 80 dBµV/m

Preview Measurements:
 Antenna height: 100 - 355 cm , Step Size = 85 cm , Positioning Speed = 8
 Polarization: H + V
 Turntable position: 0 - 352 deg , Step Size = 22 deg , Positioning Speed = 8
 Sweep Test Template: xF-RE-R15-AN06_PRE

Subrange	Step Size	Detectors	Bandwidth	Sweep Time	Preamp
Receiver: [FSV 40] 18 GHz - 40 GHz	687,5 kHz	PK+ ; AVG	1 MHz	30 s	0 dB

Frequency Zoom:
 Zoom Sweep Template: xF-RE-R15-AN06_MAX

Adjustment:
 Antenna height: Range = 180 cm , Measuring Speed = 2
 Turntable position: Range = 60 deg , Measuring Speed = 2
 Template for Single Meas.: xF-RE-R15-AN06_ADJ

Final Measurements:
 Template for Single Meas.: xF-RE-R15-AN06_FIN

Subrange	Step Size	Detectors	IF BW	Meas. Time	Preamp
Receiver: [FSV 40] 18 GHz - 40 GHz	100 kHz	PK+ ; AVG	1 MHz	1 s	0 dB

Anechoic chamber

Test procedure

The test site is an anechoic chamber suitable for radiated emission measurements in the frequency range of 30 MHz – 18 GHz (40 GHz). It includes automatic antenna mast of height 4 m and turntable of radius 2 m. It enables both manual and fully automatic measurements. To find the highest level of radiation

- the height of the antenna is scanned in range 1m to 4 m with antenna in horizontal and vertical polarization;
- the turntable is rotated in range from 0° to 360°.

The system was configured for testing in a typical worst case fashion (as a customer may use it). All interface cables were moved to determine the position which resulted in the highest emission levels.

Correction factors

The field strength is calculated by adding the antenna factor and cable attenuation. The calculations are performed automatically by the measurement software EMC 32. As example consider the following input values and result:

FREQUENCY (MHZ)	RECEIVER READING U (dBμV)	ANTENNA FACTOR AF (dB/m)	CABLE ATTENUATION A (dB)	CORRECTION ANTENNA + CABLE (dB)	RADIATED FIELD STRENGTH E (dBμV/m)
30.0	20	20.6	0.8	21.4	41.4

$$E = U + AF + A$$

7.5 Frequency stability measurement

NORMATIVE REFERENCES		RESULT
Limits according to:	FCC §15.225 (e) RSS-210, Issue 10, section B4 RSS-Gen Issue 5, section 6.11	P
Methods of measurement according to:	ANSI C63.10, section 9.14	
Equipment mode	Power interface	1
	EUT configuration mode	3
	Operation mode	3

Limits

Limit:	The frequency tolerance of the carrier signal shall be maintained within $\pm 0.01\%$ (± 100 ppm) of the carrier frequency under nominal conditions.
Temperature range of the RFID module:	-20 degree to + 50 degree
Voltage range:	0.85 x 120 V and 1.15*120 V

Test equipment

DESCRIPTION	MANUFACTURER	TYPE	SN	ASSET NO.	CALIBRATION
Temperature Chamber	HT4010	Heraeus-Vötsch	45021	PM KF 1402	2020-03 (1 year)
Receiver 10 Hz - 40 GHz	Rohde & Schwarz	FSV40	101400	PM KF 2783	2020-08 (1 year)
Loop antenna	Rohde & Schwarz	HZ-10	100055	PM KF 0965	2020-05 (3 year)

Measurement results – Frequency stability measurement:

Temperature °C	Carrier at 20°C MHz	Upper limit: 13.561356 MHz
		Lower limit: 13.558644 MHz
Measured frequency under temperature influence:		
+50	13.559899	13.559841
+40		13.559841
+30		13.559863
+20		13.559899
+10		13.559828
0		13.559957
-10		13.559971
-20		13.559971

Comment

The EUT was supplied with the ISK 200 power supply unit, serial number 06460376. The AC supply voltage was varied from 102 to 138 V.

The DC voltage was varied from 12 to 24 V.

The voltage variations had no influence on the transmission frequency and the transmission level.

Voltage V	Temperature	Upper limit: 13.561356 MHz
		Lower limit: 13.558644 MHz
Measured frequency under AC supply voltage variation:		
102	20°C	13.559896
138		13.559898

Voltage V	Temperature	Upper limit: 13.561356 MHz
		Lower limit: 13.558644 MHz
Measured frequency under DC voltage variation:		
12	20°C	13.559897
24		13.559898

7.6 20 dB bandwidth

NORMATIVE REFERENCES		RESULT
Limits according to:	FCC §15.215 (c)	P
Methods of measurement according to:	RSS-Gen, Issue 5, 6.7	
Equipment mode	Power interface	1
	EUT configuration mode	3
	Operation mode	3

Limits

Intentional radiators operating under the alternative provisions to the general emission limits, as contained in §§15.217 through 15.257 and in subpart E of this part, must be designed to ensure that the 20 dB bandwidth of the emission, or whatever bandwidth may otherwise be specified in the specific rule section under which the equipment operates, is contained within the frequency band designated in the rule section under which the equipment is operated.

Test equipment

DESCRIPTION	MANUFACTURER	TYPE	SN	ASSET NO.	CALIBRATION
Receiver 10 Hz - 40 GHz	Rohde & Schwarz	FSV40	101400	PM KF 2783	2021-08 (1 year)
Loop antenna	Rohde & Schwarz	HZ-10	100055	PM KF 0965	2020-05 (3 year)

Comment

The 20-bandwidth is 43.22 kHz.

7.7 Occupied bandwidth

NORMATIVE REFERENCES		RESULT
Limits according to:	RSS-Gen, Issue 5, 6.7	P
Methods of measurement according to:	RSS-Gen, Issue 5, 6.7	
Equipment mode	Power interface	1
	EUT configuration mode	3
	Operation mode	3

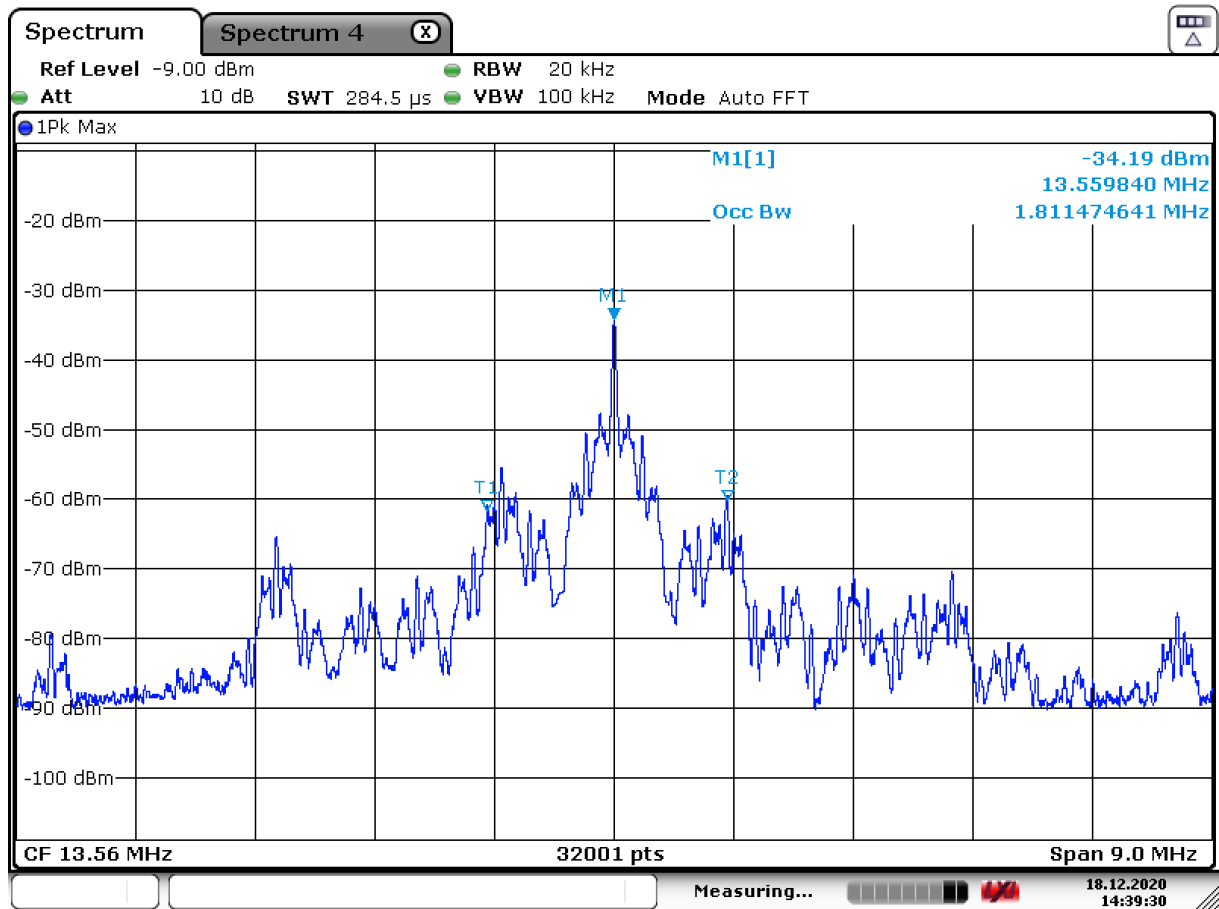
Test equipment

DESCRIPTION	MANUFACTURER	TYPE	SN	ASSET NO.	CALIBRATION
Receiver 10 Hz - 40 GHz	Rohde & Schwarz	FSV40	101400	PM KF 2783	2020-08 (1 year)
Loop antenna	Rohde & Schwarz	HZ-10	100055	PM KF 0965	2020-05 (3 year)

Comment

The 99% occupied bandwidth is 1.811 MHz.

Measurement results – 99% occupied bandwidth:



Date: 18.DEC.2020 14:39:31

7.8 Measurement uncertainty evaluation

Measurement uncertainty for conducted emissions, LISN, 150 kHz -30 MHz	± 2.3 dB
Measurement uncertainty for radiated magnetic field, 9 kHz – 30 MHz	± 4.9 dB
Measurement uncertainty for radiated emission, 30 MHz - 1000 MHz	± 5.9 dB
Measurement uncertainty for OBW	± 4.3 %
601 points resolution (Spectrum analyzer)	± 0.83 %
30000 points resolution (Spectrum analyzer)	± 0.016 %
Measurement uncertainty for Frequency error	± 1 x 10 ⁻⁸

End of test report