

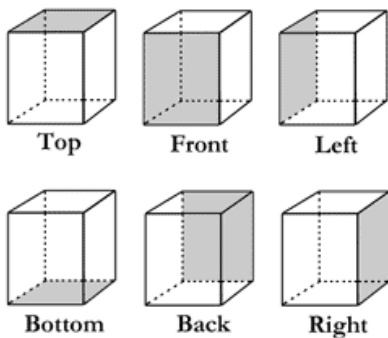
External photos – GAT Eco.Lock 7100 NW F/ISO

Content

1	View of EUT	1
2	Equal types	1
3	GAT Eco.Lock 7100 NW F/ISO	2
3.1	Overview	2
3.2	Top	2
3.3	Front	3
3.4	Left	3
3.5	Bottom	4
3.6	Back	4
3.7	Right	5
4	GAT Demo Locker ECO.Lock 7100 NW F/ISO	Fehler! Textmarke nicht definiert.
5	GAT ECO.Lock 7100 NW F/ISO Demo Kit	Fehler! Textmarke nicht definiert.
6	History	5

1 View of EUT

Sides of EUT are as perspective described below.



2 Equal types

Pos	Description	Info
1	GAT Eco.Lock 7100 NW F/ISO	Main product
2	GAT Eco.Lock 7150 NW F/ISO	Same as Pos 1., but with painted pcb
3	GAT Eco.Lock 7100 F/ISO	Same as Pos 1., but without Bluetooth Chip
4	GAT Eco.Lock 7150 F/ISO	Same as Pos 3., but with painted pcb
5	GAT Demo Locker ECO.Lock 7100 NW F/ISO	Pos 1. Mounted in Demo Locker made of timber, with 2 test cards
6	GAT ECO.Lock 7100 NW F/ISO Demo Kit	Pos 1., with test data carriers mounted on holder

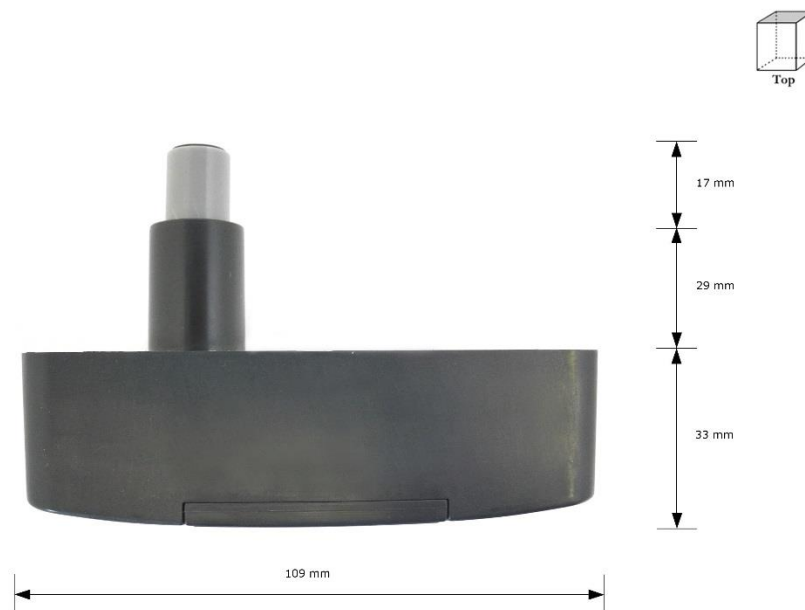
External photos – GAT Eco.Lock 7100 NW F/ISO

3 GAT Eco.Lock 7100 NW F/ISO

3.1 Overview

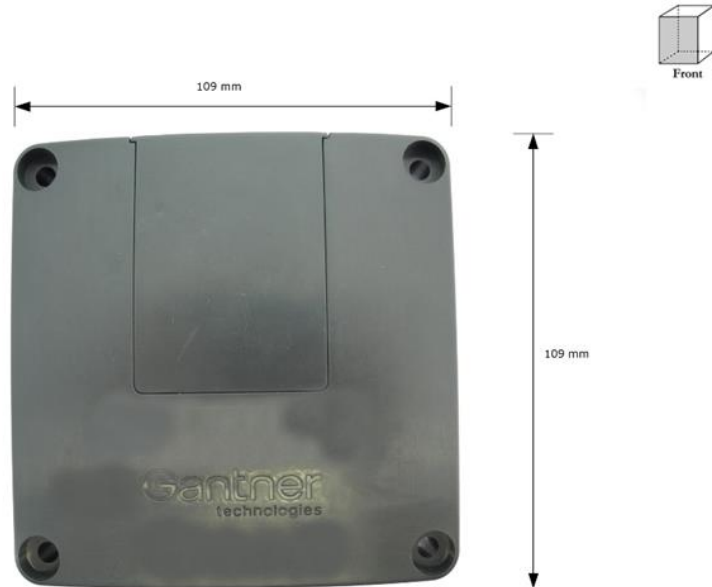


3.2 Top

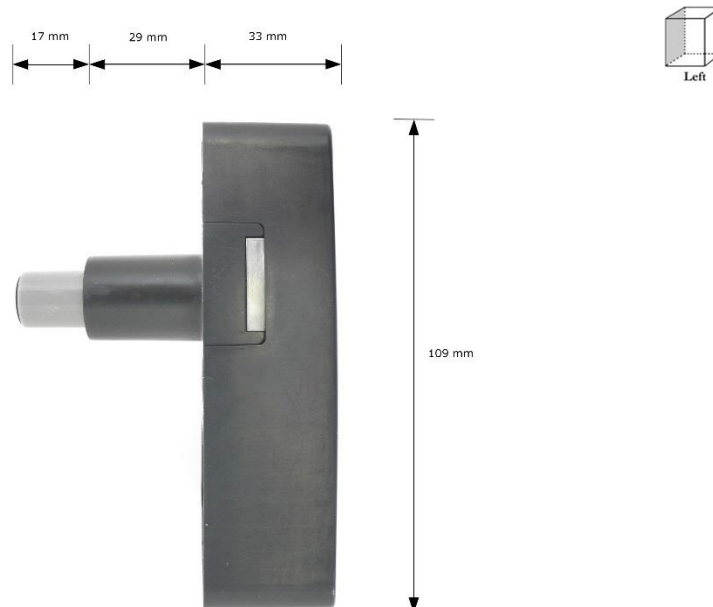


External photos – GAT Eco.Lock 7100 NW F/ISO

3.3 Front



3.4 Left

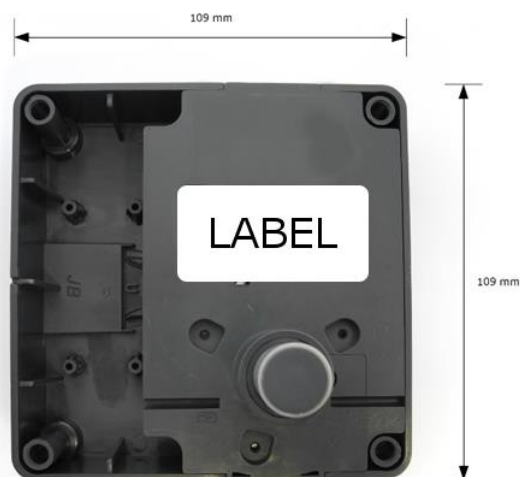


External photos – GAT Eco.Lock 7100 NW F/ISO

3.5 Bottom

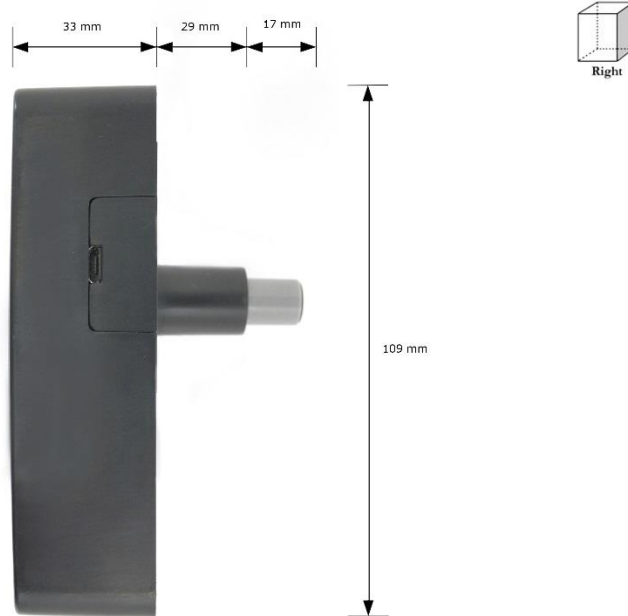


3.6 Back



External photos – GAT Eco.Lock 7100 NW F/ISO

3.7 Right



4 History

Version	Author	Description	Tested by	Released on
1.0	Jochum M.	First Version	Jochum M.	30.01.2018