

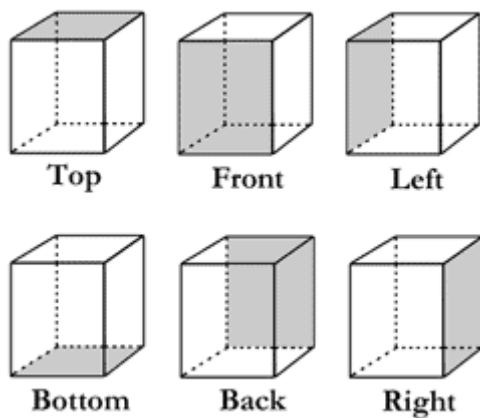
Internal photo - GAT Vending 6100 BA

Content

1	View of EUT	1
2	GAT Vending 6100 BA	1
2.1	Overview	1
2.2	PCB's	2
2.3	PCB's in Housing	4
3	History	5

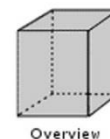
1 View of EUT

Sides of EUT are as perspective described below.

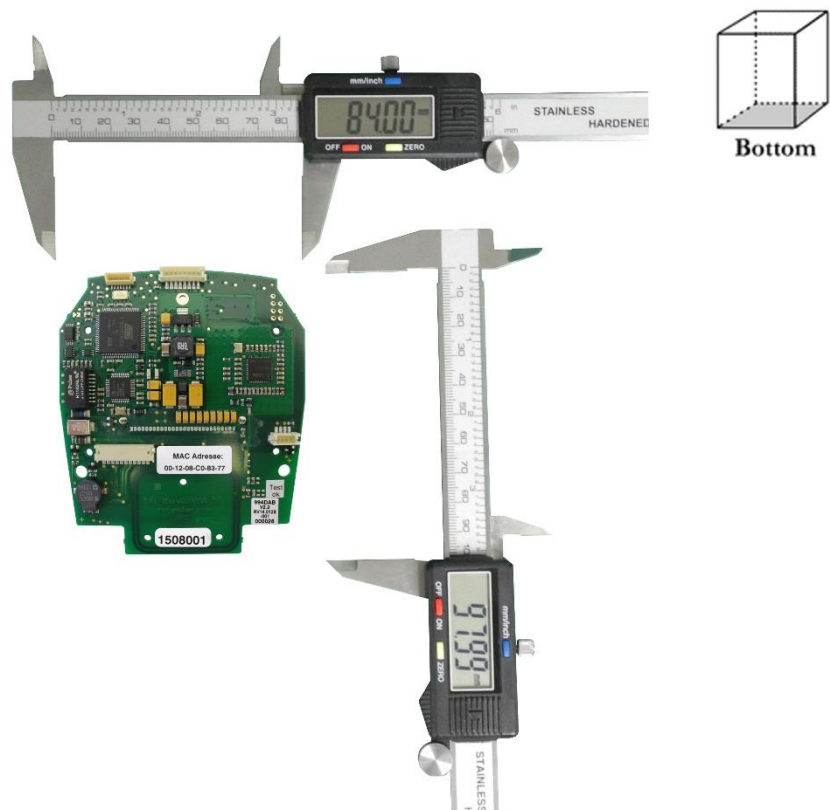
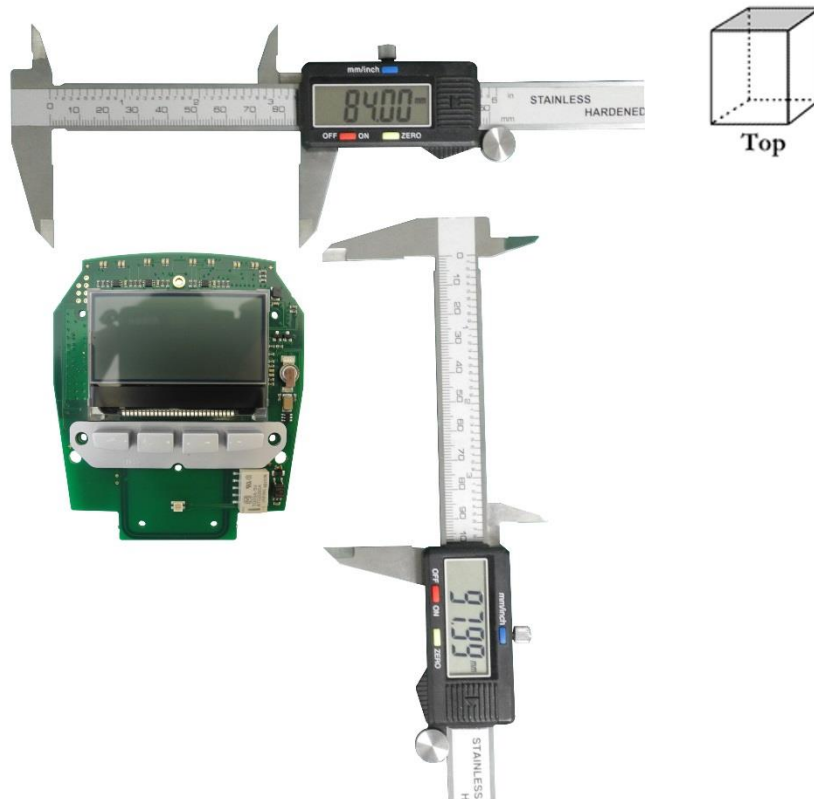


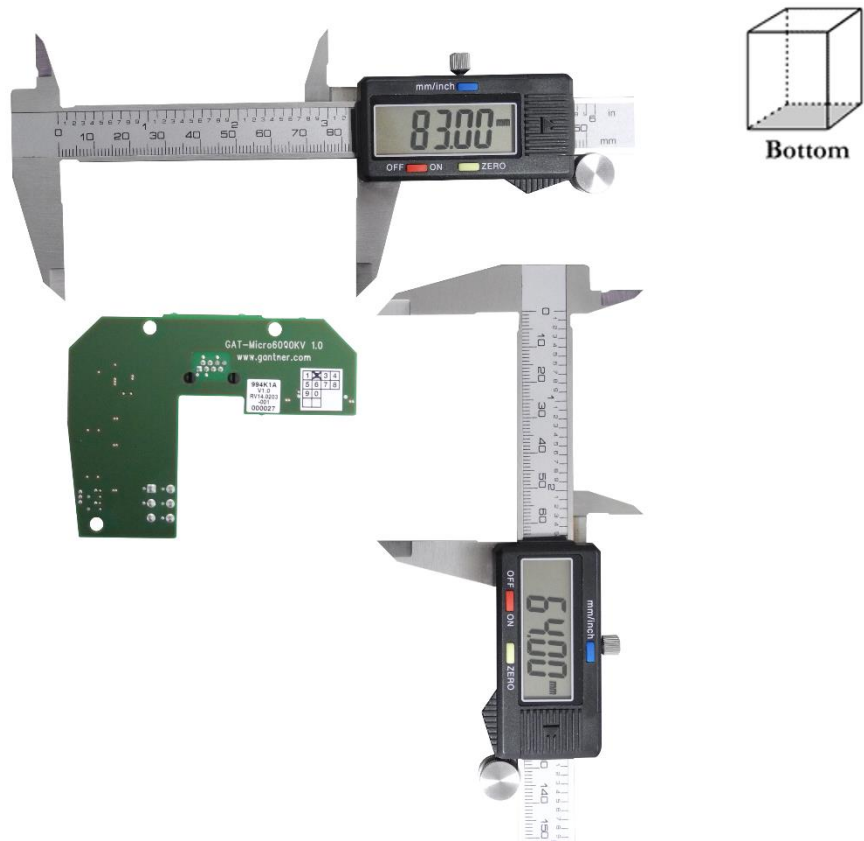
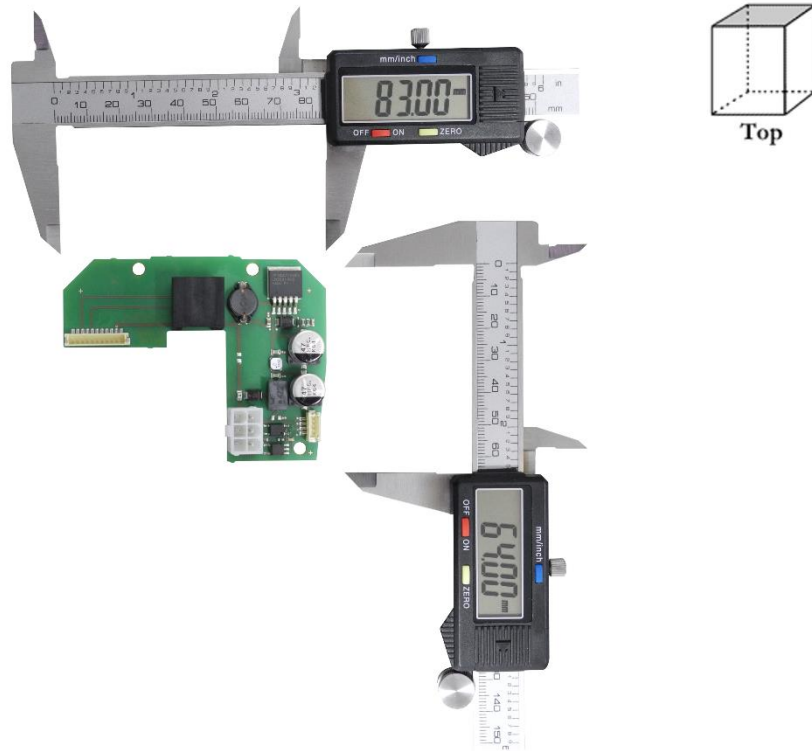
2 GAT Vending 6100 BA

2.1 Overview



2.2 PCB's





2.3 PCB's in Housing



3 History

Version	Author	Description	Tested by	Released on
1.0	JOM	Internal photos of EUT		01.03.2017