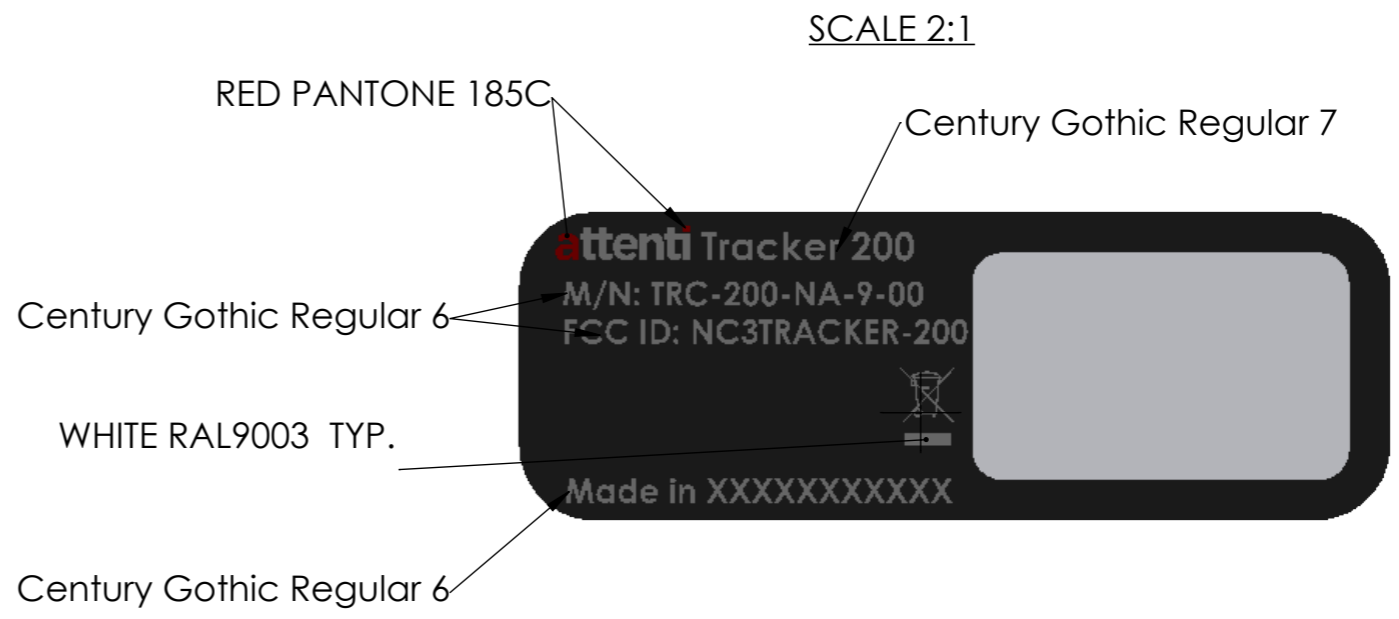
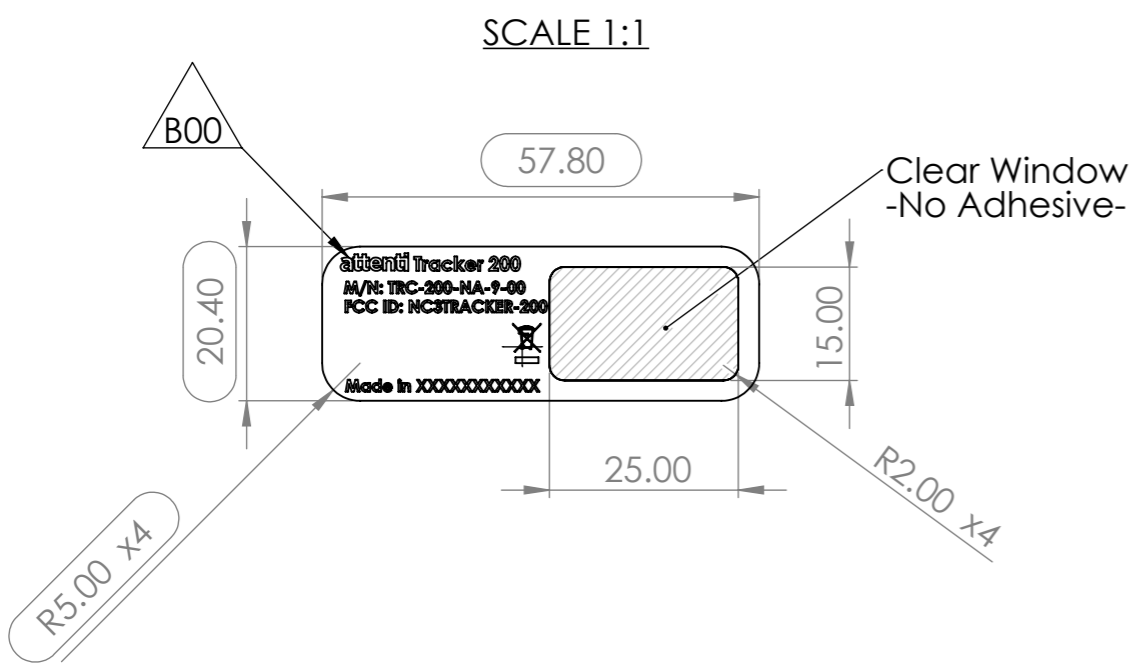




REVISIONS				
ECO	REV.	DESCRIPTION	DATE	APPROVED
009494	A00	Label release to production	01/01/2023	Alexey Berkovich
010047	B00	Text update	02/28/2023	Ravid Mor Yosef
010059	C00	REMOVE CONTAINS FCC	03/09/2023	Ravid Mor Yosef

D
C
B
A

D
C
B
A



- NOTES: (UNLESS OTHERWISE SPECIFIED)**
- MATERIAL:
 - SUBSTRATE: .25mm LEXAN LAMINATE W/ PERMANENT ACRYLIC ADHESIVE ON BACK SIDE.
 - COLOR: PANTONE BLACK 6C ON FACING SIDE.
WHITE-RAL9003
RED-PANTONE 185C
 - FINISH: MATTE
 - ARTWORK: USE GRAPHICS FILE SUPPLIED BY ATTENTI.
 - ALL MATERIALS AND PROCESSES MUST BE REACH AND RoHS COMPLIANT.
 - XXXXXX = PRODUCTION SITE (ISRAEL OR PHILIPPINES).

DIMENSIONS ARE IN MILLIMETERS		NAME	DATE		
TOLERANCES (UNLESS OTHERWISE SPECIFIED)		DRAWN	Ravid Mor Yosef		
0.5 TO 6 ± 0.1 > 6 TO 30 ± 0.2 > 30 TO 120 ± 0.3 > 120 TO 400 ± 0.5 ANGULAR: ± .5°		CHECKED	Ravid Mor Yosef	03/09/2023	TITLE: TRACKER200 PRODUCT LABEL - US
MATERIAL Material <not specified>		PROJECTION: 		PART. NO. 42110362	
FINISH SEE NOTES		SYMBOL KEY: 		SIZE A3	DOC. NO. 42110362
<small>THIS DOCUMENT IS COPYRIGHTED PROPERTY OF ATTENTI COMPANY AND MAY NOT BE REPRODUCED WITHOUT ATTENTI WRITTEN PERMISSION OR USED OR DISCLOSED FOR OTHER THAN ATTENTI AUTHORIZED PURPOSES.</small> <small>INPERPRET PER ASME Y14.5M-1994</small>				WEIGHT (gr): 0.23	REV B00 SHEET 1 OF 1