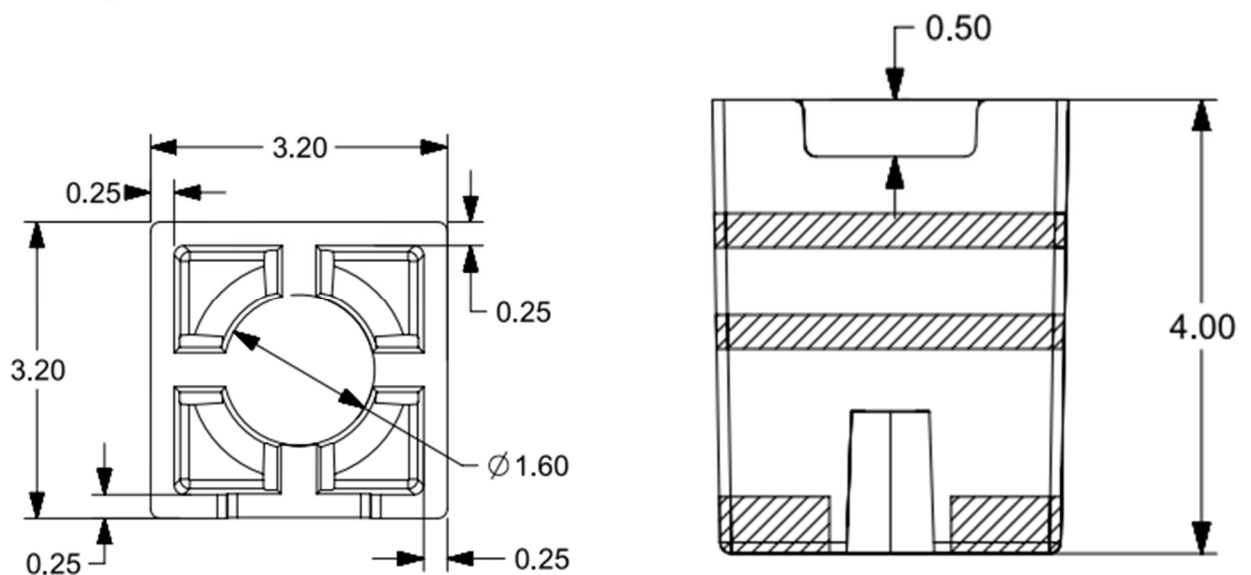


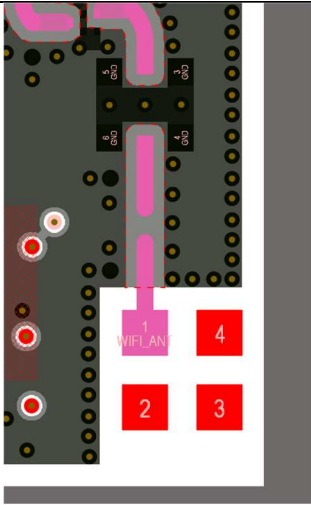
antenna specification:

1. Manufacturer.: MOLEX
2. Address: 2222 Wellington Ct Lisle, IL 60532, USA
3. Manufacturer Part Number: 47948-0001
4. RF module/chip: MURATA - LBEE5KL1DX-977
5. Antenna description

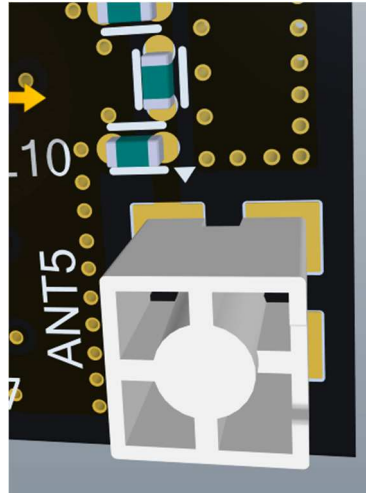
Antenna type	2.4GHz MID SMT Antenna
Antenna manufacturer	MOLEX P.N 479480001
Antenna datasheet	if exist
Frequency range	2400MHz~2500MHz
Modulation	WIFI: DSSS / CCK (IEEE802.11b), OFDM (IEEE802.11g), OFDM (IEEE802.11n)
Antenna gain max (peak)	3.7dBi
Cable loss	No Cable
Connector type	No Connector

6. Antenna layout





7. Antenna radiation pattern



Please refer to [appendix A >>](#).

8. Antenna photo -



9. RF-auxiliaries – No auxiliary

## Appendix A - Radiation Pattern

