



For specific configuration  
of M/N Per Device Part number,  
Refer to Attenti SI-075 Document !

| REVISIONS |      |                       |            |                  |
|-----------|------|-----------------------|------------|------------------|
| ECO       | REV. | DESCRIPTION           | DATE       | APPROVED         |
| 009988    | A00  | Release to production | 01/03/2023 | Alexey Berkovich |
| 010080    | A01  | Update text           | 04/04/2023 | Ravid Mor Yosef  |

**M/N: BCL-100-XX-Y-ZZ** (symbol and meaning)

**"XX" > Cellular Modem / Region**

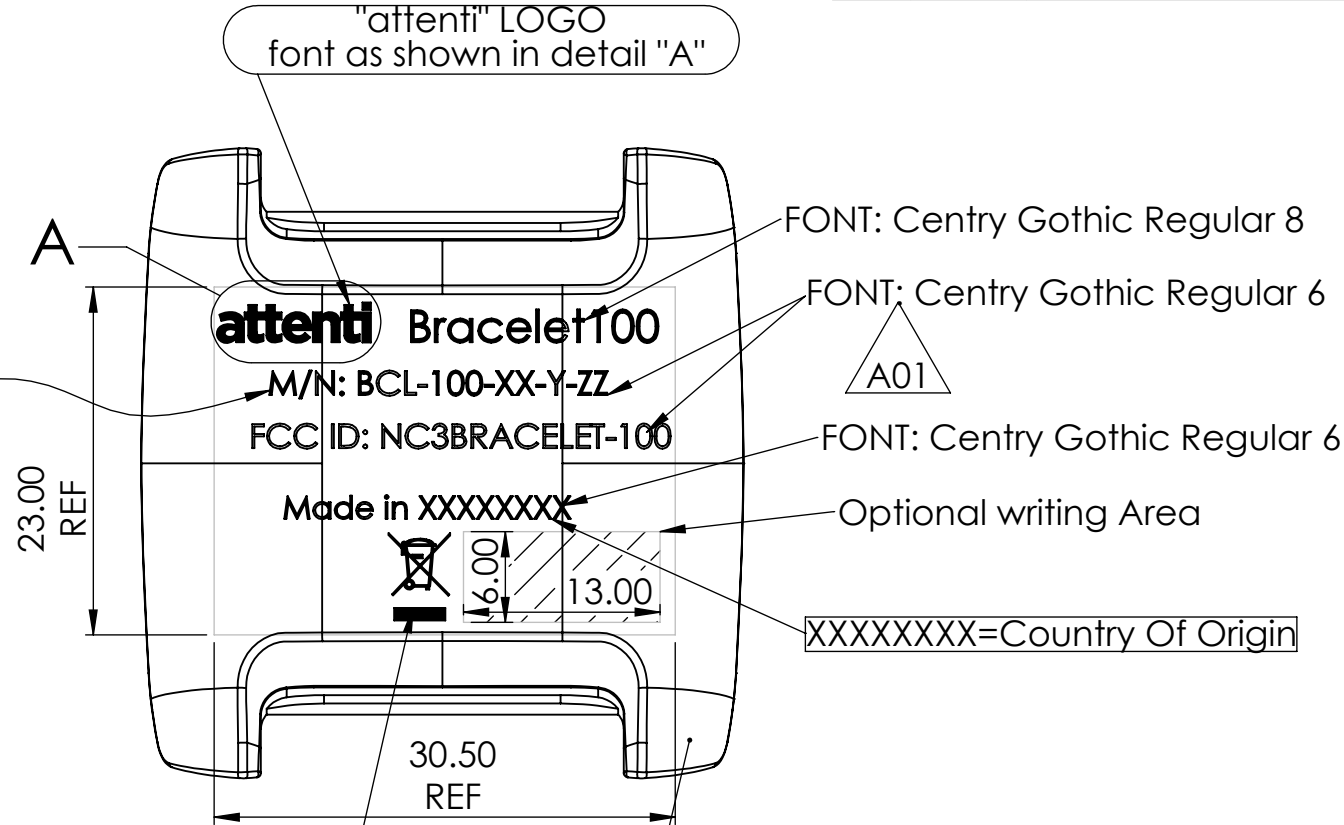
EU = Europe  
NA = North America  
AU = Australia/New Zealand  
0 = None/NA

**"Y" > SubG**

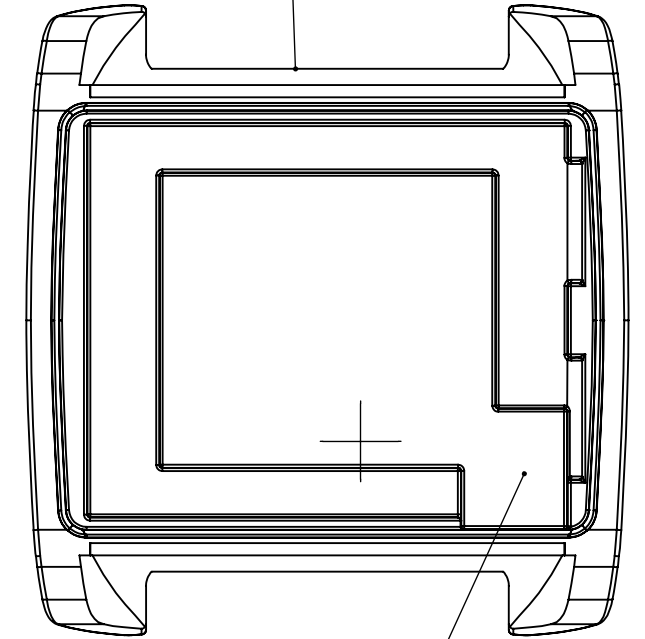
8 = 868 MHz  
9 = 915 MHz  
0 = NA (not relevant)

**"ZZ" > Configuration (Device dependent)**

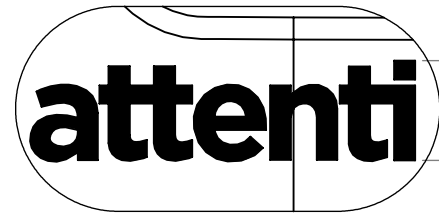
00 = Baseline  
01 = Baseline W/Landline modem  
... = ...  
99 = Next feature (to be added)



"Attenti" laser etching  
on this area



All writing  
should be filled (not hollow!!!)



DETAIL A

SCALE 5:1

P/N before laser etching :  
32000783

For the orientation need to  
locate according to marked feature

|   |  |   |                 |                             |  |
|---|--|---|-----------------|-----------------------------|--|
| <b>DIMENSIONS ARE IN MILLIMETERS</b>    |  | NAME  | DATE            |                             |  |
| TOLERANCES (UNLESS OTHERWISE SPECIFIED) |  | DRAWN   | Ravid Mor Yosef |                             |  |
| 0.5 TO 6 ± 0.1                          |  | CHECKED   | Ravid Mor Yosef | 04/04/2023                  | <b>TITLE:</b><br><b>NG Bracelet BOTTOM HOUSING<br/>         LASER ETCHING NA</b> |
| > 6 TO 30 ± 0.2                         |  | <b>PROJECTION:</b><br>  |                 | PART. NO. <b>32001023</b>   |  |
| > 30 TO 120 ± 0.3                       |  | <b>SYMBOL KEY:</b><br>REVISION<br>INSPECTION DIMENSION<br>ITEM NUMBER (PARTS LIST)<br>CORRESPONDING NOTE  |                 | SCALE 2:1<br>SIZE <b>A3</b> | DOC. NO. <b>32001023</b><br>REV <b>A01</b>                                       |
| > 120 TO 400 ± 0.5                      |  | MATERIAL<br>FINISH<br>SEE NOTES<br><small>THIS DOCUMENT IS COPYRIGHTED<br/>         PROPERTY OF ATTENTI COMPANY AND<br/>         MAY NOT BE REPRODUCED WITHOUT<br/>         ATTENTI WRITTEN PERMISSION OR USED OR<br/>         DISCLOSED FOR OTHER THAN ATTENTI<br/>         AUTHORIZED PURPOSES.</small> |                 | WEIGHT (gr):                | SHEET 1 OF 1   |
| ANGULAR: ± .5°                          |  | INPERPRET PER ASME Y14.5M-1994  |                 |                             |  |