

**NOVATEL WIRELESS**

**FCC BACK LABEL (MERLIN RICOCHET)**

PART NUMBER  REVISION NUMBER  
AW-XXXXXXXX  1

DESCRIPTION  
This labels fit precisely onto the back of the  
Merlin Product.

DATE CREATED  PMS COLORS  
09/07/00  WHITE ON BLACK

**DO NOT SCALE ARTWORK**

© 2000 Novatel Wireless, Inc. All Rights Reserved

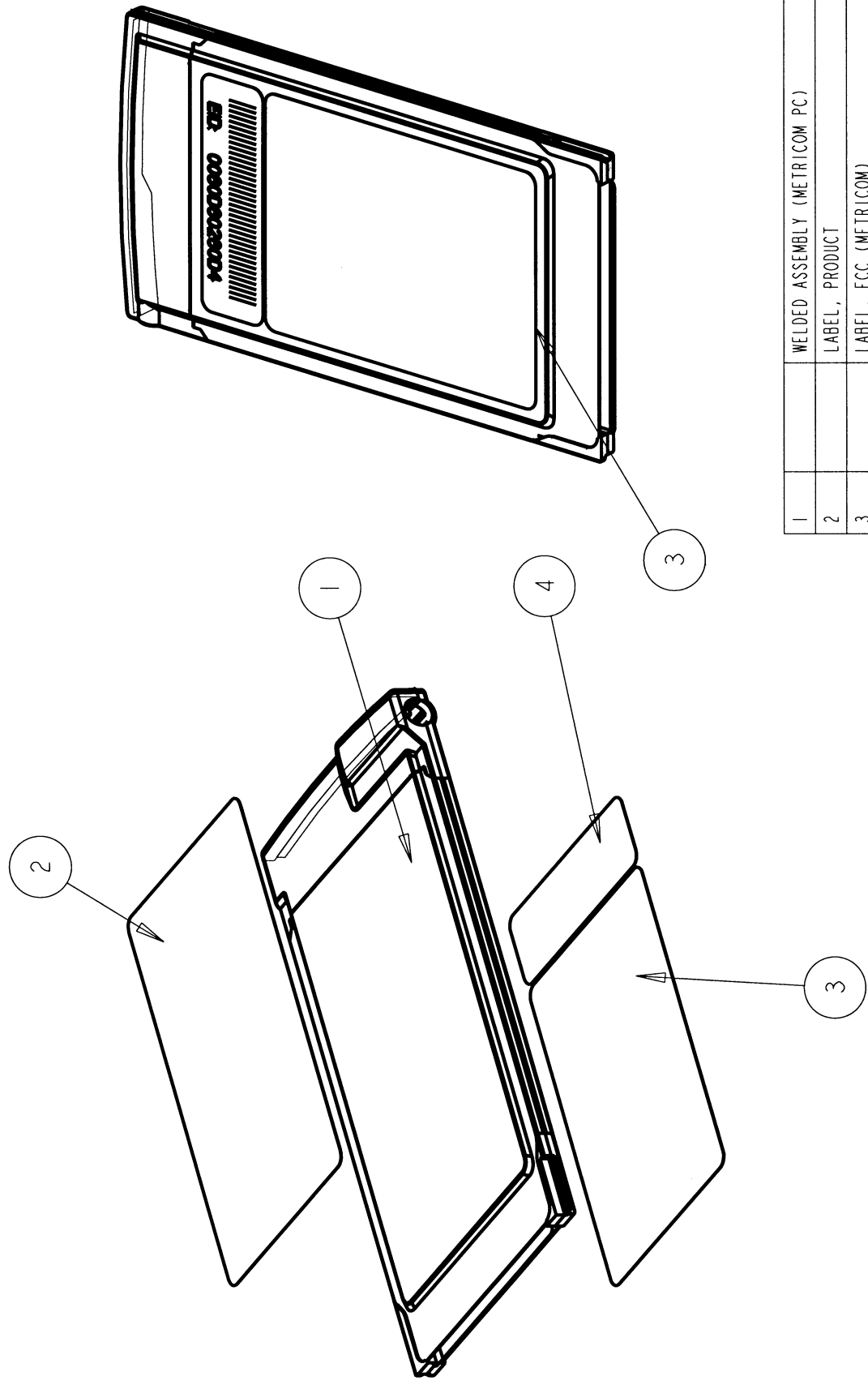
FCC LABEL

**NOVATEL WIRELESS**  
**MERLIN FOR RICOCHET**

FCC ID: NBZNRMR900 MODEL: NRM-R900  
BOM: 01016970

THIS PRODUCT COMPLIES WITH PART  
15 OF THE FCC RULES. OPERATION  
IS SUBJECT TO THE FOLLOWING TWO  
CONDITIONS: (1) THIS DEVICE MAY  
NOT CAUSE HARMFUL INTERFERENCE,  
AND (2) THIS DEVICE MUST ACCEPT ANY  
INTERFERENCE RECEIVED, INCLUDING  
INTERFERENCE THAT MAY CAUSE  
UNDESIRE OPERATIONS.

ECO	APVD	DWN	DESCRIPTION	DATE	REV



ITEM	PART NO.	DESCRIPTION	REV.	QTY.
1		WELDED ASSEMBLY (METRICOM PC)	A	
2		LABEL, PRODUCT	B	
3		LABEL, FCC (METRICOM)	B	
4		EID LABEL (GPRS MERLIN)	A	
DWN: KM		03-Feb-00		
CHKD:				
APVD:				
DRAWING STANDARDS				
CAN 3-B78.1-M83				
CAN/CSA-B78.2-M91				
THIRD ANGLE				
UNITS: MM	1 in = 25.4 mm			
NOVATEL WIRELESS TECHNOLOGIES LTD.				
CALGARY, ALBERTA				
CANADA				
NOVATEL WIRELESS				
TITLE: PC CARD MODEM (METRICOM)				
DRAWING NO.:	DM-TBD	REV:	A	
SCALE:	1:000	DO NOT SCALE		SHEET 1 OF 3