

Exhibit 4

Minstrel S

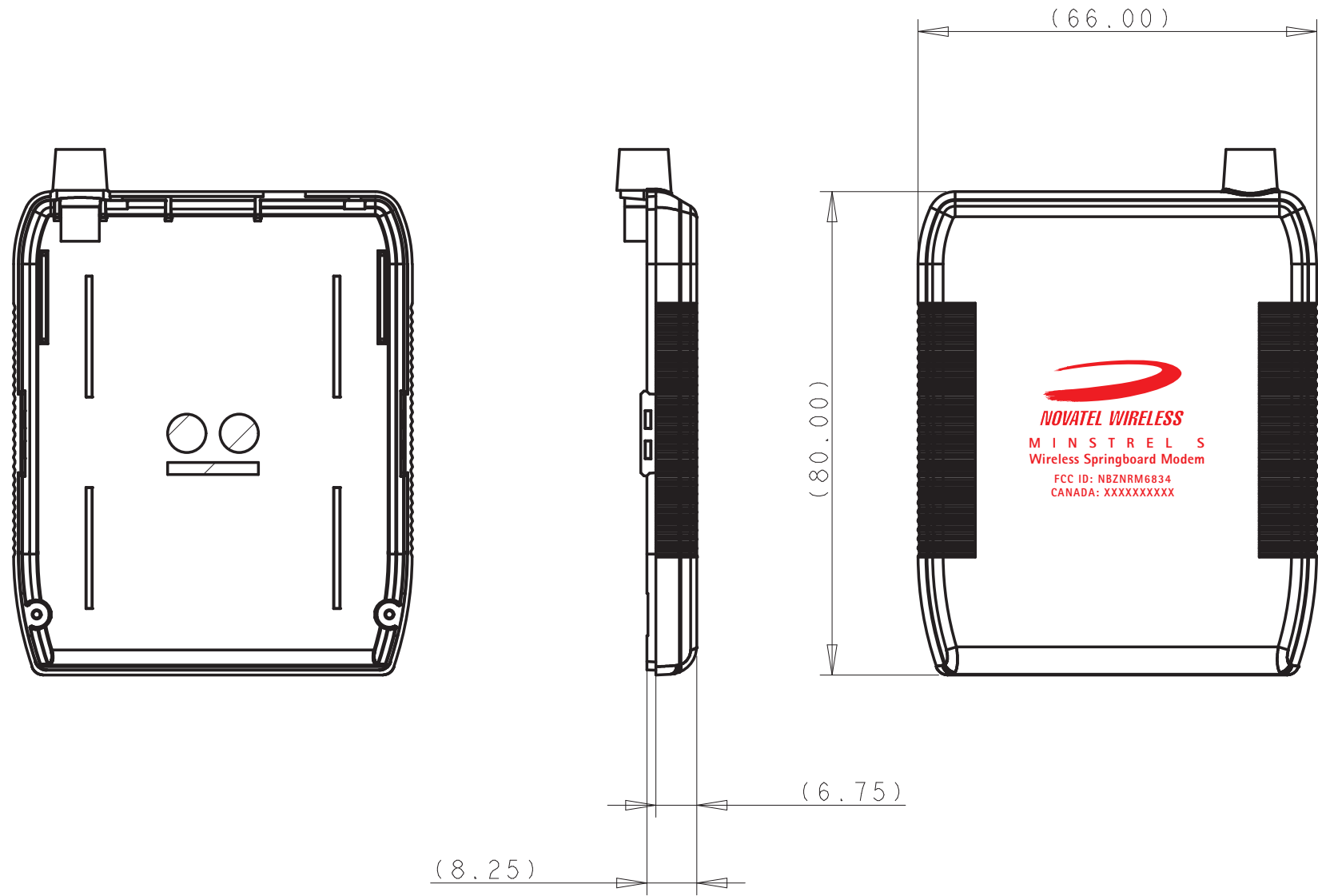
Novatel Wireless Technologies Ltd.

FCC ID: NBZNRM6834

FCC ID Label

This document contains proprietary information and may not be reproduced or copied without the express written permission of a duly authorized representative of Novatel Wireless Technologies Ltd. Copyright © 2000 Novatel Wireless Technologies Ltd. - All Rights Reserved

ECO	APVD	DWN	DESCRIPTION	DATE	REV
NA	DGM	DGM	INITIAL RELEASE	21-Jul-00	A



BLACK= DO NOT PRINT RED REPRESENTS WHITE

NOVATEL WIRELESS

BOTTOM SHELL MINSTREL S

PART NUMBER: AW-XXXXXXXXX 1
 REVISION NUMBER: 1

DESCRIPTION:
 This is the graphic that will pad print directly to the backside of the shell. It must be printed exactly where it appears here.

DATE CREATED: 08/08/00
 PMS COLORS: White (represented by red)

DO NOT SCALE/EDIT ARTWORK

NOTE: THE INTENT OF THIS DRAWING IS TO SUPPLY CREATIVE SERVICES WITH SUFFICIENT INFORMATION TO CREATE THE PAD PRINTING ARTWORK FOR THIS PRODUCT.

OFFICIALLY CONTROLLED DOCUMENTATION WILL BE GENERATED ONCE THE ARTWORK IS FIRMED UP.

DWN: D MILLER	21-Jul-00
CHKD: DGM	21-Jul-00
APVD: DGM	21-Jul-00

NOVATEL WIRELESS TECHNOLOGIES LTD.
 CALGARY, ALBERTA
 CANADA

UNLESS OTHERWISE SPECIFIED:
 ALL DIMENSIONS ARE IN MM
 TOLERANCE ON DECIMALS
 1 PLACE ±0.30
 2 PLACES ±0.15
 ANGLES ±0.5°
 25.0mm = 1.0"

TITLE:
MINSTREL S BOTTOM AW

THIRD ANGLE

DRAWING NO.: **TBD** REV:

DRAWING STANDARDS: CAN3-B78.1-M83
 CAN/CSA-B78.2-M91

SIZE: B SCALE: 1.000 DO NOT SCALE SHEET 1 OF 1

DRAWING FILENAME: CREATIVE_BOTTOM