

DWG No **020581074-2020**



DRAWING COVER SHEET

DESIGN CONTROL: **TIBERIAS**

REV:	ISSUE DATE:	ECO #:	DESCRIPTION:
S-1	20/09/01	10689	Released for Samples
S-2	18/01/02	10777	25 was 25.0±0.5(C4), add Novatel P/N(E5)
S-3	26/02/02	10822	Add Table

APPLICABLE SPEC'S:

SURFACE FINISH, MICROMETERS, CLA (UNLESS STATED) 0.8

TOLERANCES: UNLESS OTHERWISE SPECIFIED
 NO PLACE (X)±1 TWO PLACE (X.XX)±0.1
 ONE PLACE (X.X)±0.2 THREE PLACE (X.XXX)±0.05

METRIC SCREW THREAD TO ISO STANDARDS 724, 286-1, 965-1 AND 965-2. INCHES SCREW THREAD TO ANSI/ASME B1.1. ALL ANGLES TO BE 90° UNLESS OTHERWISE STATED. TOLERANCE ON ANGLES ±1/4°. ALL TOLERANCES APPLY AFTER FINISHING. MACHINE CORNER RADS, 0.25 MAX., TO BE FREE FROM BURRS, SHARP EDGES AND ALL FOREIGN MATERIALS. FLASH ALLOWANCE FOR PLASTIC MOLDED PARTS TO BE 0.1mm UNLESS OTHERWISE STATED. DIAMETER MUST BE CONCENTRIC WITHIN 0.08 T.I.R..

INTERNAL DISTRIBUTION

- PROCESS
- PURCHASING
- PRODUCTION
- PLASTICS
- QUALITY
- INCOMING INSPECTION
- FINAL INSPECTION
- MARKETING

QUALITY ASSURANCE NOTES:

NO CHANGE SHALL BE ALLOWED ON PRODUCTION MATERIAL WITHOUT PRIOR EXPLICIT WRITTEN APPROVAL BY GALTRONICS' ENGINEERING AND PURCHASING DEPARTMENTS. FOR SPECIAL REQUIREMENTS SEE FM149.

- XR PROCESS CONTROL CHART REQUIRED WITH EACH SHIPMENT
- CRITICAL DIMENSION AFFECTS FORM FIT OR FUNCTION

SUFFIX No.	DESCRIPTION
2020	Novatel

MATERIAL:

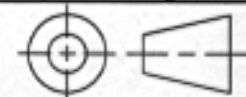
FINISH:

© GALTRONICS LTD. 2002
 THE DRAWING AND INFORMATION ON THIS PRINT ARE GALTRONICS CONFIDENTIAL AND PROPRIETARY INFORMATION - MAY NOT BE COPIED OR DISCLOSED.

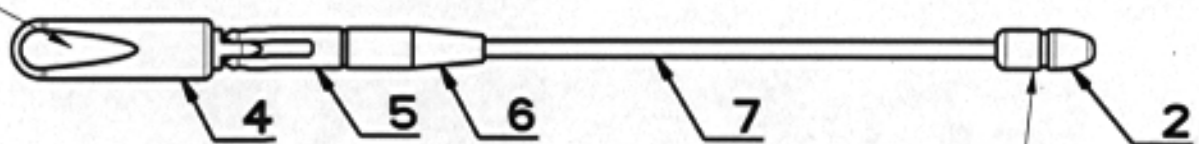
TITLE: MMCX Plug Whip with Swivel Rotation PCS Novatel	CHKD: <i>JRH</i> 27.02.2002	DWG. No. 020581074-2020	
	APRVD: <i>[Signature]</i>	REV. S-3	PAGE 1 OF 2
	DATE: 27.02.02		

DWG. NO.: **020581074-2020** A3

ALL DIMENSIONS IN MILLIMETERS UNLESS OTHERWISE STATED. DO NOT SCALE - IF IN DOUBT, ASK!! SEE COVER SHEET FOR PERTINENT INFORMATION

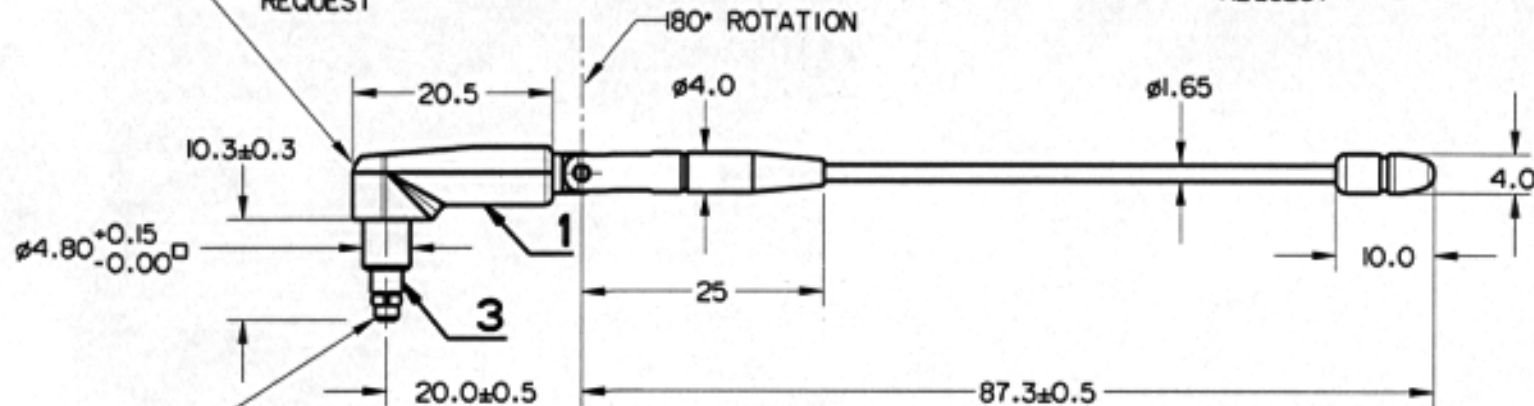


PROPOSED AREA FOR MARKING ANTENNA TO INDICATE FREQUENCY



SHAPE OF OVERMOLDED HOUSING TO CUSTOMER REQUEST

SHAPE OF OVERMOLDED CAP TO CUSTOMER REQUEST



MMCX PLUG MADE TO CUSTOMER REQUEST GOLD PLATED

NOVATEL P/N: GIOI

SCALE 1.0

CONFIDENTIAL, PROPRIETARY AND TRADE SECRET INFORMATION
SUBJECT TO NDA FROM JAN 20, 2001

7	PU over NiTi Wire	Black	Matl
6	Brass	Black	Block Chrome Plated
5	Copper Beryllium	Black	Block Chrome Plated
4	Brass	Black	Block Chrome Plated
3	Brass		Gold Plated
2	Plastic: Polyamide 6.6	Black	MTIIIO or Equivalent
1	Plastic: Hytel	Black	MTIIIO or Equivalent
NO	MATERIAL	COLOR	FINISH

CAD FILE: 020581074-2020

GALTRONICS CONFIDENTIAL PROPRIETARY INFORMATION - MAY NOT BE COPIED OR DISCLOSED

PAGE 2 OF 2

GALTRONICS
THIS PRINT IS GALTRONICS CONFIDENTIAL

ENGINEER	VRH	CHECKED	VRH 27.2.02
DRAWN	MB	APPVD.	
DATE	26.02.02	DATE	27.02.02

MMCX PLUG WHIP WITH SWIVEL ROTATION PCS NOVATEL

DWG. NO.: **020581074-2020** A3 REV. S-3