

4

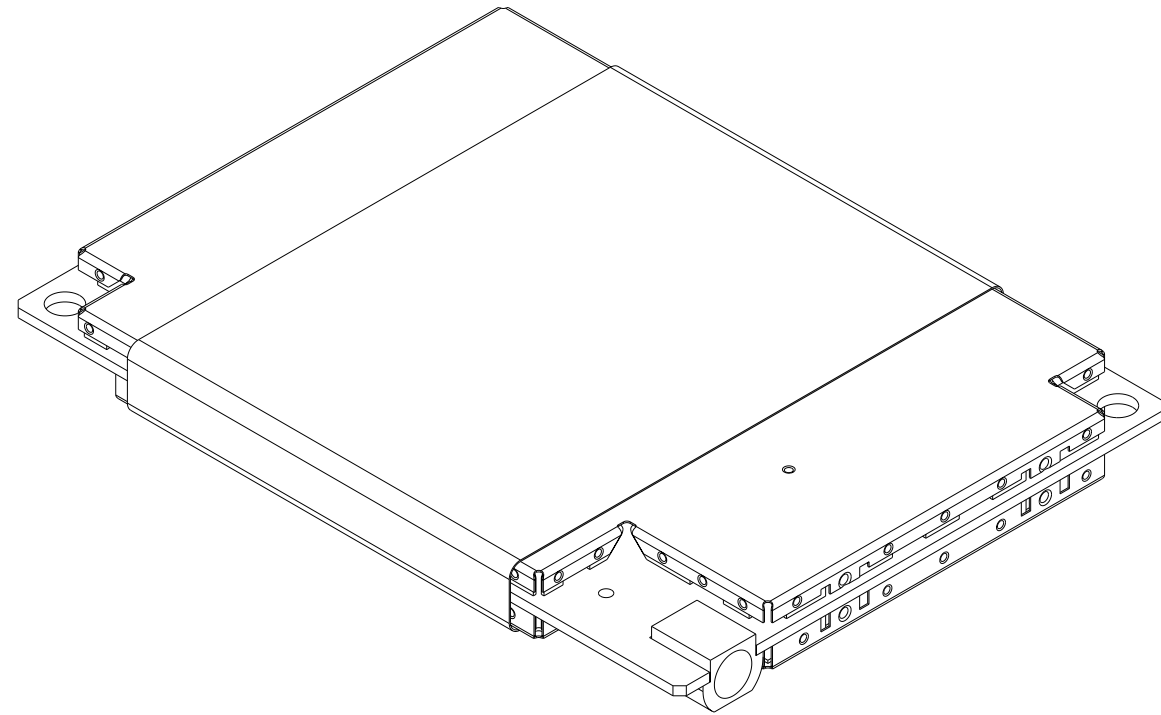
3

2

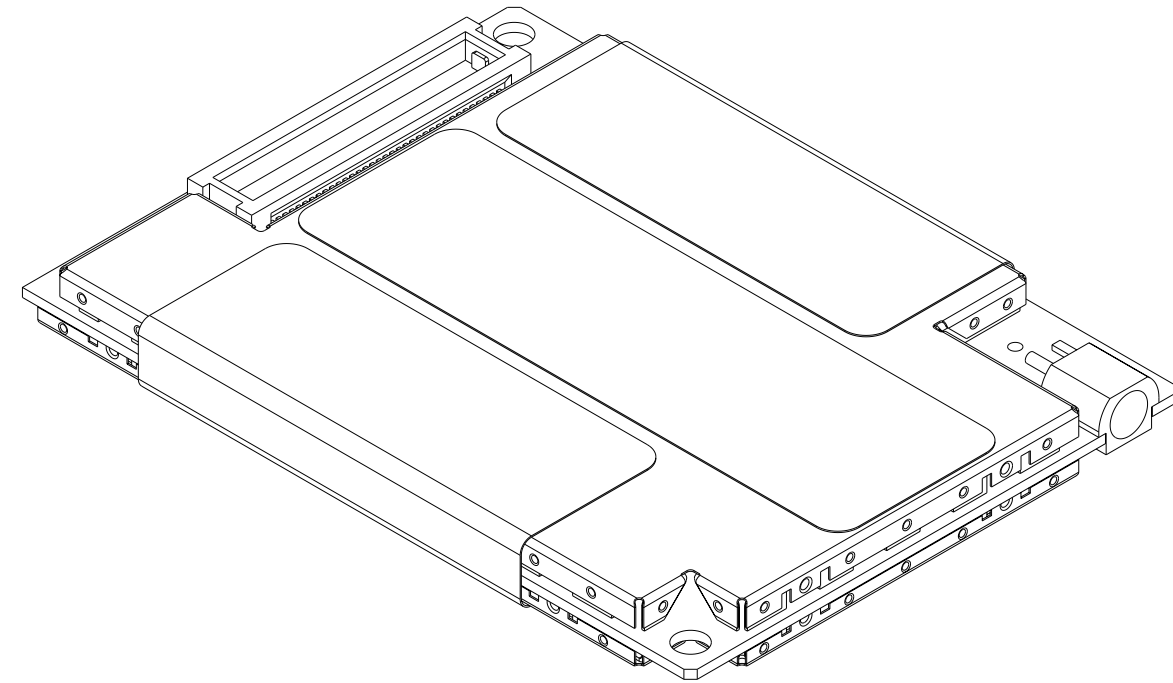
1

This document contains proprietary information and may not be reproduced or copied without the express written permission of a duly authorized representative of Novatel Wireless Technologies Ltd.
Copyright © 2000 Novatel Wireless Technologies Ltd. - All Rights Reserved

ECO	APVD	DWN	DESCRIPTION	DATE	REV
		RK	FIRST ISSUED	05-Nov-02	A




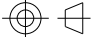
ISOMETRIC VIEW
TOP



ISOMETRIC VIEW
BOTTOM

B

A

DWN: R KUBIK	05-Nov-02		NOVATEL WIRELESS TECHNOLOGIES LTD. <small>CALGARY, ALBERTA CANADA</small>	
CHKD: G MAY	05-Nov-02		MODULE ASSY EXPEDITE G301	
APVD:		<small>UNLESS OTHERWISE SPECIFIED: ALL DIMENSIONS ARE IN MM TOLERANCE ON DECIMALS 1 PLACE ±0.30 2 PLACES ±0.15 ANGLES ±0.5° 25.0mm = 1.0"</small>		
THIRD ANGLE		DRAWING NO.:	DA-01017357	REV: A
DRAWING STANDARDS	<small>CAN3-B78.1-M83 CAN/CSA-B78.2-M91</small>	SIZE: B	SCALE: 2.5:1	DO NOT SCALE SHEET 1 OF 3

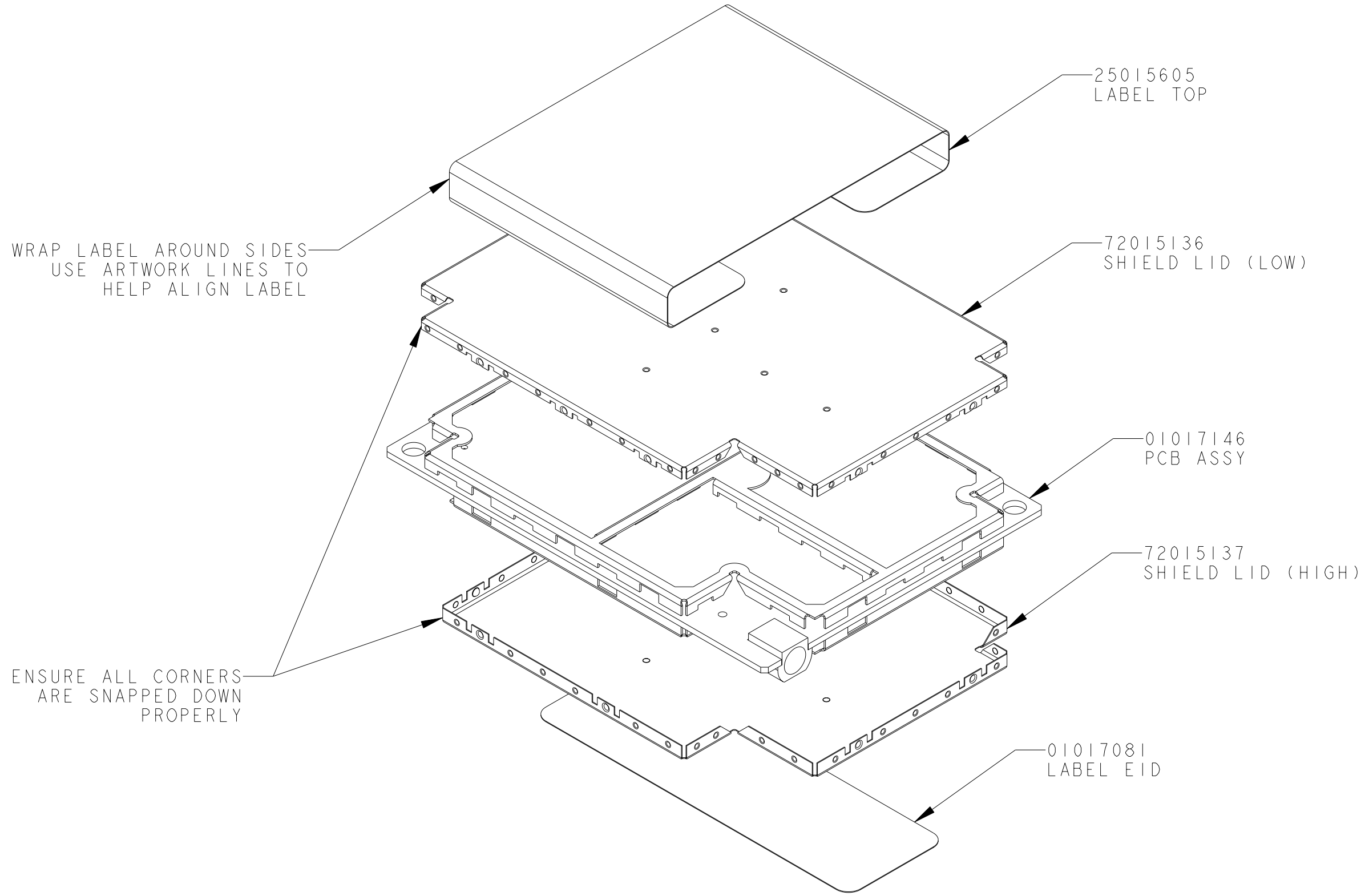
4

3

2

1

This document contains proprietary information and may not be reproduced or copied without the express written permission of a duly authorized representative of Novatel Wireless Technologies Ltd.
Copyright © 2000 Novatel Wireless Technologies Ltd. - All Rights Reserved



B

A

DRAWING NO.:		DA-01017357		REV:		A	
SIZE: B	SCALE: 2.5:1	DO NOT SCALE	SHEET 2 OF 3				

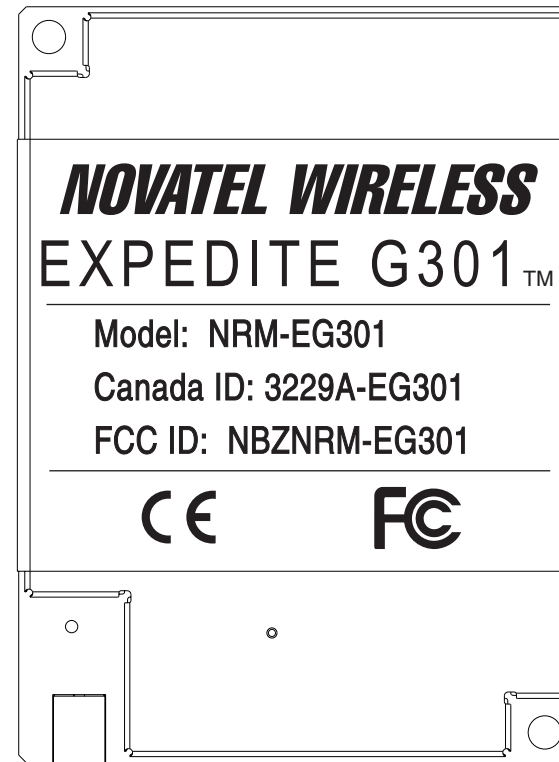
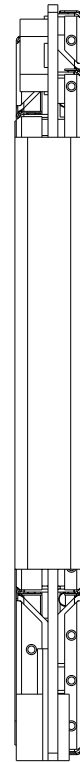
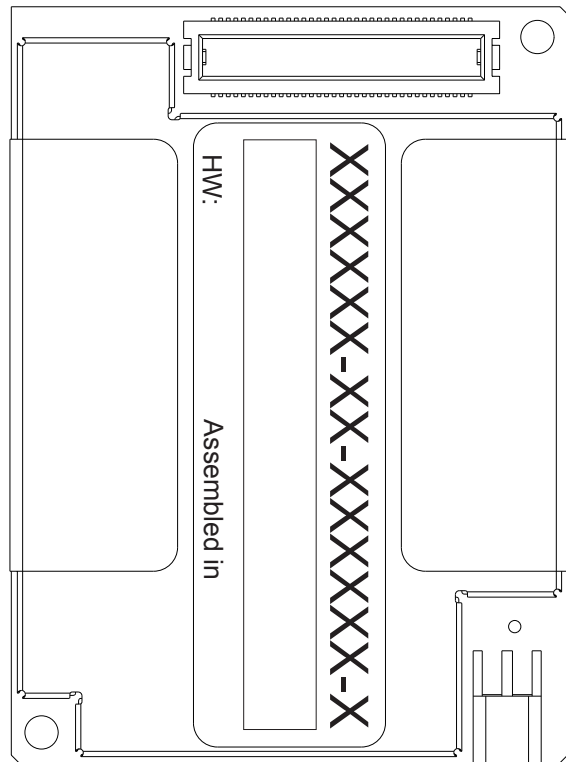
4

3

2

1

This document contains proprietary information and may not be reproduced or copied without the express written permission of a duly authorized representative of Novatel Wireless Technologies Ltd.
Copyright © 2000 Novatel Wireless Technologies Ltd. - All Rights Reserved



B

A

DRAWING NO.: **DA-01017357**

REV: **A**

SIZE: B

SCALE: 2:1

DO NOT SCALE

SHEET 3 OF 3