



今皓實業股份有限公司
Ji-Haw Industrial Co., Ltd.
臺北縣新店市寶興路 53 號

產品承認書

Product Approval Sheet

Customer Name	立象
Customer P/N	69-70002-001
Ji-Haw P/N	69-70002-001
Item	I-PEX 1.13 MiniCoaxial
Issue Date	2009.01.09

Approved By	Checked By	Prepared By
張富寶	黃路林	王李
2009.01.09	2009.01.09	2009.01.09

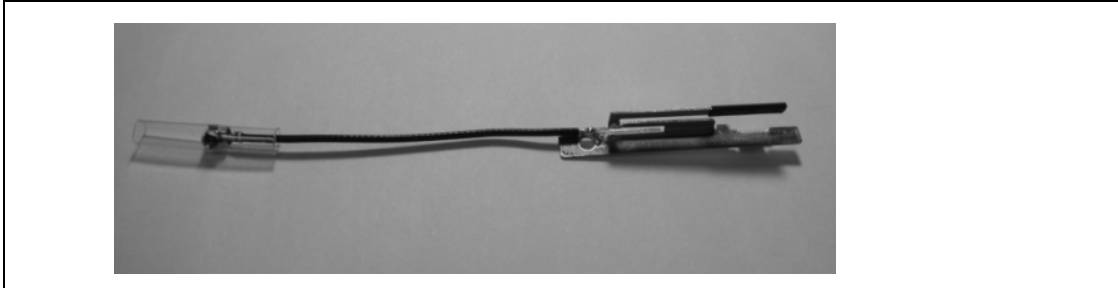
Customer Approval	Revision	
	V1.1	2009.01.09

1、Specification of antenna

1.1 Model of structure

(P/N : 69-70002-001)

Product Photo



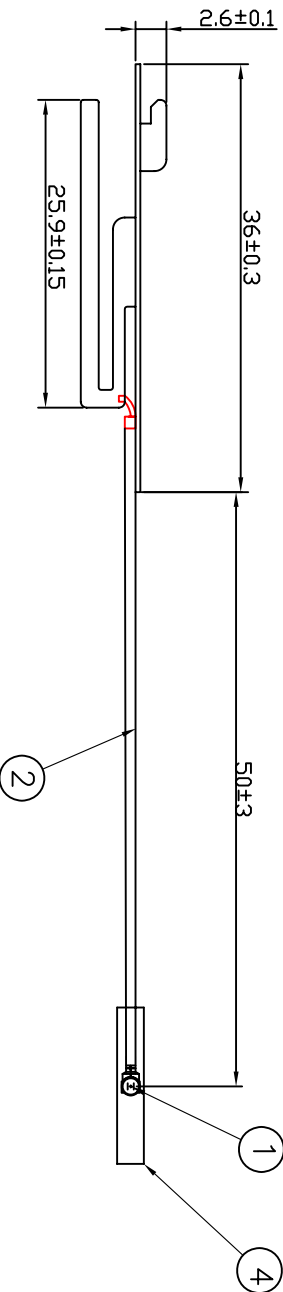
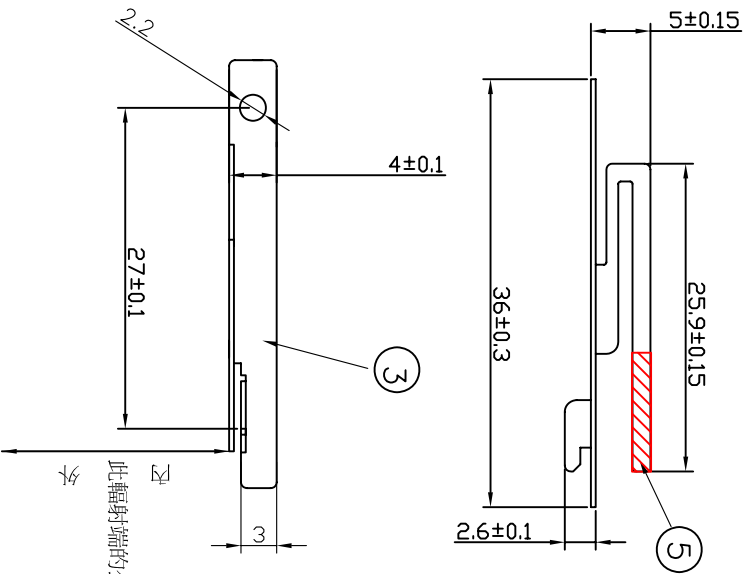
1.2 Electrical Properties

Antenna Type	PIFA
Frequency range	2.4 ~2.5GHz
Impedance	50 Ohms
VSWR	≤ 2.0

1.3 Mechanical Properties

Material	洋白銅
Temperature	-20~+60°C
Cable type	32AWG
Dimension(L*W*D)	36*4*5mm
Weight(g)	1.12g

2、Drawing of mechanism

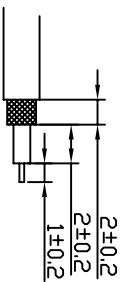


NOTES:

1. FREQUENCY: 2.4~2.5 GHz
2. IMPEDANCE: 50 Ohms
3. V.S.W.R: ≤ 2

此輻射端的公差為向外5度向內0度

(3) 焊接端 綫線尺寸(58mm)



ITEM	Part NO.	DESCRIPTION	Q'TY
5	HST-2 ULS	TUBE	10mm
4	TUBV-3.1-T	EVA CLEAR TUBE	20mm
3	RF-0.4NC0004	PIFA ANTENNA 0.4吋 洋白銅	1 PCS
2	BE213221BEK51	Coaxial Cable OD:1.13 (Black)	58mm
1	20278-112R-13	LPEX 1.13 MHF PLUG	1 PCS

REV	DESCRIPTION	DATE	DRAWN BY	DESIGNED BY	APPROVED BY
1	變更出線方式,尺寸標示修改	08.12.19	Benny	Benny	
2	天線端增加10mm 熱縮套管	09.01.06			

OTHER	X	.X	.XX		
TOLERANCE	±3	±0.2	±0.05		

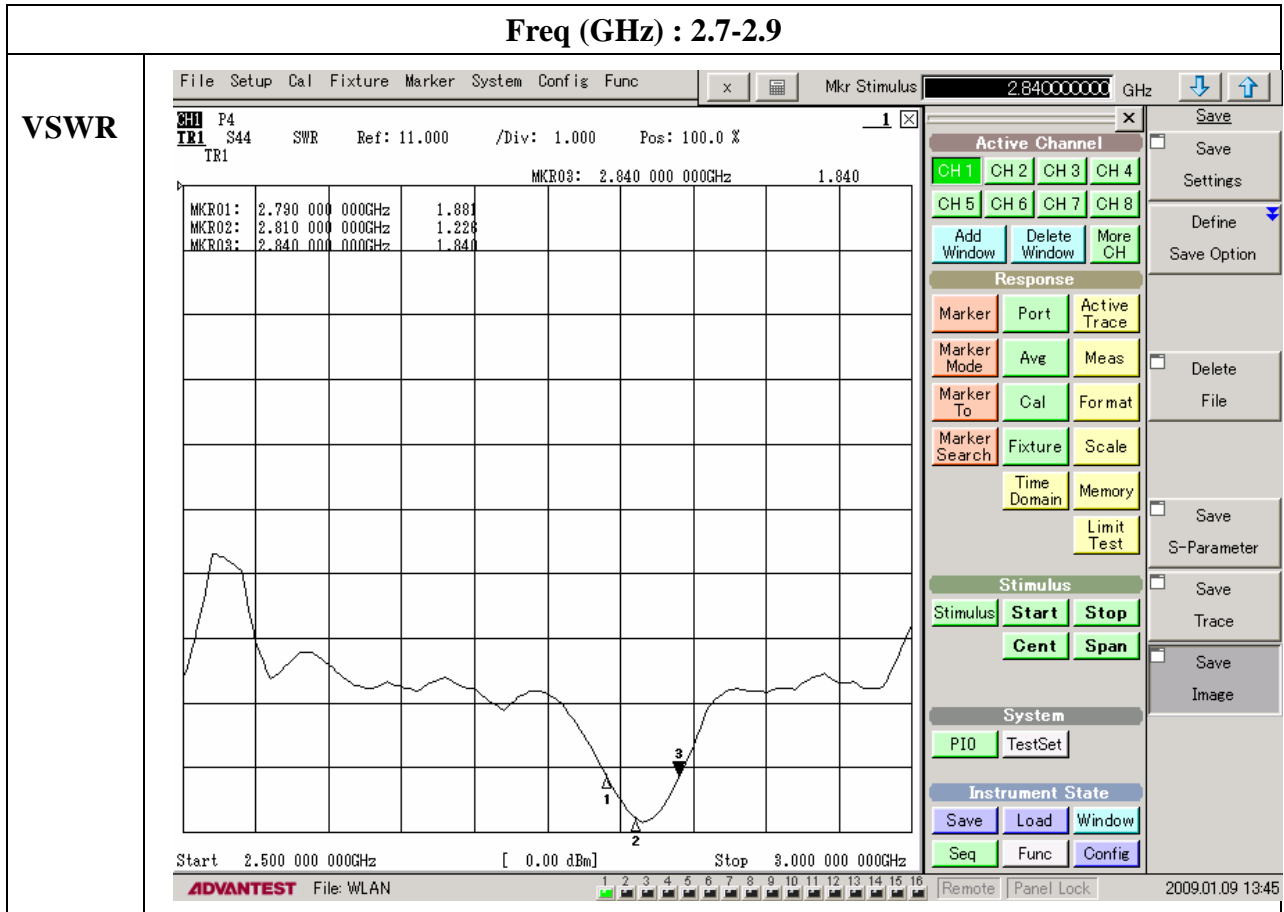
P/N: 69-70002-001
(IAFPT60IP01-XXX)



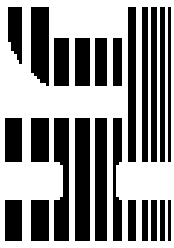
SCALE	1:1	SHEET	1 OF 1
UNIT	mm	DRAWING NO.	DB4339

3、Test Results

3.1. VSWR



Freq(GHz)	2.79	2.81	2.84
VSWR	1.881	1.228	1.84



PT80W



Antenna EFFICIENCY(%)

PT-60			
Frequency (MHz)	2400	2450	2500
Average Gain (dB)	-4.7	-3.47	-2.95
Efficiency (%)	33.9	45.01	50.69
Gain (dBi)	1.88	2.26	3.48
PT80W			
Frequency (MHz)	2400	2450	2500
Average Gain (dB)	-2.27	-2.89	-4.28
Efficiency (%)	59.34	51.36	37.33
Gain (dBi)	4.37	2.84	0.84