

Label location

 **Bendix CVS**  
**SmarTire TPMS 2.0**



K138360  
NRRR  
SN: ZZZZZZZ  
DOM: WWYY

**250K**  
BAUD RATE



**Mounting Hardware M6**  
**Torque setting :**  
**10 ± 1.0 N.m**  
**(7.5 ± 1.0 ft.Lb)**

**E11** 10R-05 10414



FCC ID : NATRXK138360  
IC ID : 3323A-K138360

**CAUTION: RF ANTENNA AREA**  
**KEEP THIS AREA CLEAR FROM METAL**  
**ON ALL FOUR SIDES & POSITION THIS AREA**  
**BELOW THE FRAME RAIL.**

RF ANTENNA AREA FROM  
LINE TO END OF ECU



RF ANTENNA AREA FROM  
LINE TO END OF ECU

**1-800-AIR-BRAKE**



**Bendix CVS**

**SmarTire TPMS 2.0**



K138369

NRRR

SN: ZZZZZZZ

DOM: WWYY

**500K**  
BAUD RATE



**Mounting Hardware M6**

**Torque setting :**

**10 ± 1.0 N.m**

**(7.5 ± 1.0 ft.Lb)**

**E11** 10R-05 10414

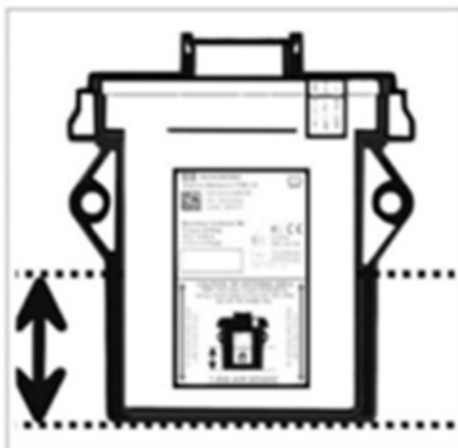


FCC ID : NATRXK138360

IC ID : 3323A-K138360

**CAUTION: RF ANTENNA AREA**  
KEEP THIS AREA CLEAR FROM METAL  
ON ALL FOUR SIDES & POSITION THIS AREA  
BELOW THE FRAME RAIL.

RF ANTENNA AREA FROM  
LINE TO END OF ECU



RF ANTENNA AREA FROM  
LINE TO END OF ECU

**1-800-AIR-BRAKE**

**(K)** Bendix CVS  
SmarTire TPMS 2.0



K138370  
NRRR  
SN: ZZZZZZZ  
DOM: WWYY

**500K**  
BAUD RATE



**Mounting Hardware M6**  
**Torque setting :**  
**10 ± 1.0 N.m**  
**(7.5 ± 1.0 ft.Lb)**

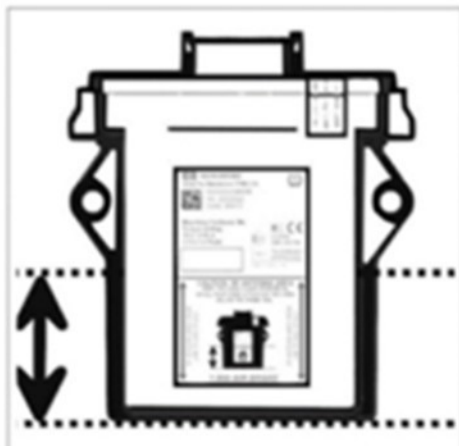
**E11** 10R-05 10414



FCC ID: NATRXK138360  
IC ID: 3323A-K138360


**CAUTION: RF ANTENNA AREA**  
**KEEP THIS AREA CLEAR FROM METAL**  
**ON ALL FOUR SIDES & POSITION THIS AREA**  
**BELOW THE FRAME RAIL.**

RF ANTENNA AREA FROM  
LINE TO END OF ECU



RF ANTENNA AREA FROM  
LINE TO END OF ECU

**1-800-AIR-BRAKE**

 **Bendix CVS**  
**SmarTire TPMS 2.0**



K138371  
NRRR  
SN: ZZZZZZZ  
DOM: WWYY

**500K**  
BAUD RATE



**Mounting Hardware M6**  
**Torque setting :**  
**10 ± 1.0 N.m**  
**(7.5 ± 1.0 ft.Lb)**

**E11** 10R-05 10414



FCC ID: NATRXK138360  
IC ID: 3323A-K138360

**CAUTION: RF ANTENNA AREA**  
**KEEP THIS AREA CLEAR FROM METAL**  
**ON ALL FOUR SIDES & POSITION THIS AREA**  
**BELOW THE FRAME RAIL.**

RF ANTENNA AREA FROM  
LINE TO END OF ECU



RF ANTENNA AREA FROM  
LINE TO END OF ECU

**1-800-AIR-BRAKE**

**(K)** Bendix CVS  
SmarTire TPMS 2.0



K138372  
NRRR  
SN: ZZZZZZZ  
DOM: WWYY

**250K**  
BAUD RATE



**Mounting Hardware M6**  
Torque setting :  
10 ± 1.0 N.m  
(7.5 ± 1.0 ft.Lb)

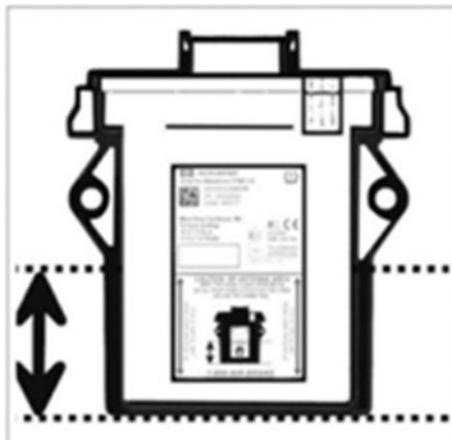
**E11** 10R-05 10414



FCC ID: NATRXX138360  
IC ID: 3323A-K138360

**CAUTION: RF ANTENNA AREA**  
KEEP THIS AREA CLEAR FROM METAL  
ON ALL FOUR SIDES & POSITION THIS AREA  
BELOW THE FRAME RAIL.

RF ANTENNA AREA FROM  
LINE TO END OF ECU



RF ANTENNA AREA FROM  
LINE TO END OF ECU

**1-800-AIR-BRAKE**