

RED SHIELD GSM SMART CONTROL

– INSTALLATION AND OPERATING INSTRUCTIONS

For use with RedShield Wire-free Home Protection System

Type of product: GSM Smart Control

Keep this manual safe for reference and future maintenance

1. Introduction

The GSM Smart Control works just like a security system keypad allowing you to access and operate your system remotely from anywhere in the world when using your Smartphone or other compatible wireless handheld devices. It's never been easier to stay in the know and stay in control.

- Manage up to three premises
- Alert up to 8 specific individuals using GSM network to manage the system
- Listen to immediate vicinity using built in microphone
- Activate, deactivate or home security system from afar
- Applicable for universal 850/900/1800/1900Mhz GSM frequency

2. **Choosing a Location**

To ensure that installation proceeds smoothly please select a suitable location. This location would ideally be close to a mains power outlet that is accessible to the user and yet not accessible to unauthorized personnel.

- Fasten the device on a smooth, dry and secure foundation. Ensure that a clear GSM signal reception is present at the point of installation prior to assembly.
- Avoid locations near extreme temperature sources (radiators, ovens, stoves) and large metal objects that could interfere with radio signals.

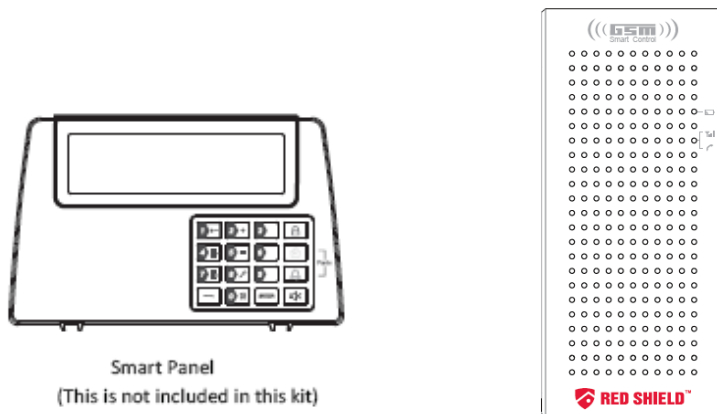
3. **Installation**

The easiest way to get to know the system and get it up and running quickly is to have all the devices and accessories laid out before mounting them. You will need following devices to complete the set up:

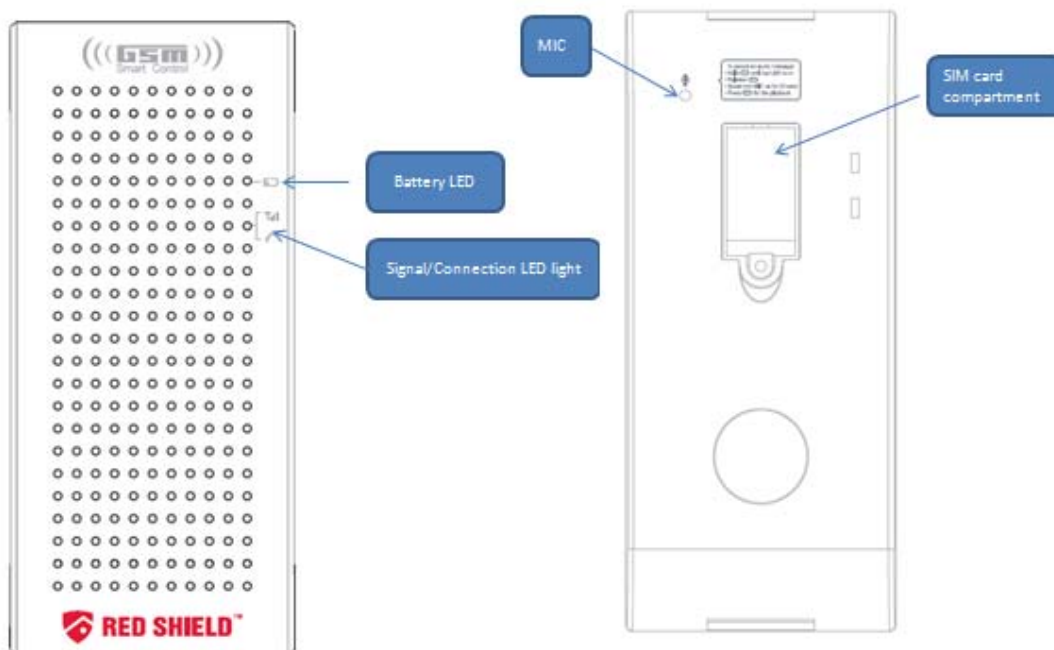
1 x GSM Smart Control

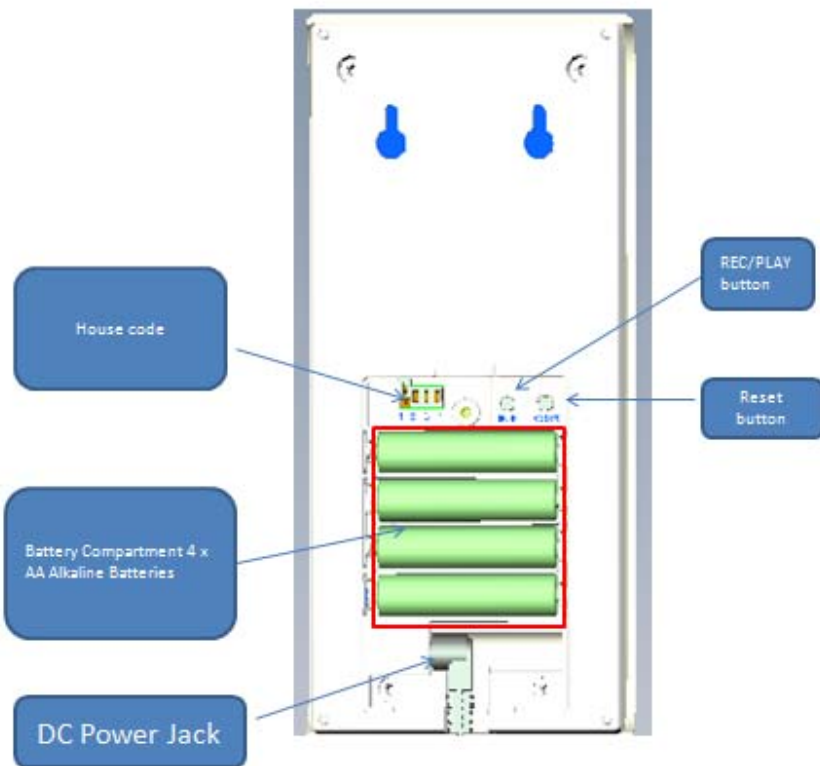
1 x AC Adaptor

2 x series of screws



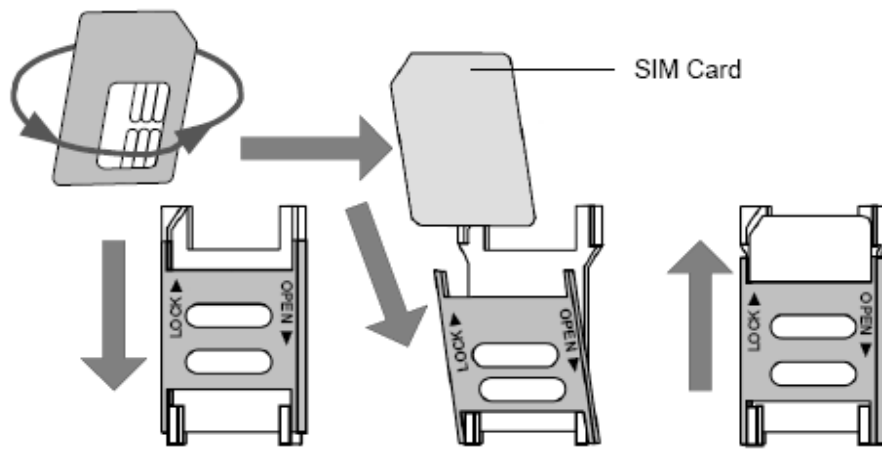
(WS210B GSM Smart Control) Smart Panel does not come with this kit. You may contact the local distributor to purchase the full security kit)





3.1 First time installation:

- Remove the front covers of the GSM Smart Control
- Push the SIM card holder backwards as illustrated and then unfold the slot forwards.
- Insert the SIM card. Push the SIM card holder back again upwards.



- Replace and secure both covers.
- Insert batteries ensuring that they are correctly oriented and connect the AC adaptor.
- The Battery LED & Signal LED lights will light up.

- g. After a while they will both go out indicating that the GSM Smart Control has connected with the GSM network. The signal LED light will light up every 10 seconds to indicate the GSM Smart Control is linked to the GSM network.
- h. Enroll GSM Smart Control with a Smart Panel. Please refer to section 3.2 for enrolling the GSM Smart Control into a Smart Panel.
- i. Replace and secure cover for the battery compartment.
- j. Mount at intended location.

3.2 Enrolling GSM Smart Control with the Smart Panel


In order to use the GSM Smart Control with the Smart Panel you will need to enroll the components. This will allow the Smart Panel to recognize and interact with the GSM Smart Control.

The enrolling procedure must be completed in order for the GSM Smart Control to work properly. If the procedure is not completed then the GSM Smart Control will not respond to system input.

IMPORTANT:

In most cases the factory settings of the House security Code will NOT need to be changed. However if the Smart Panel and sensors activate intermittently or are unresponsive this may be due to interference with other radio frequency systems. You may wish to change the house codes ensuring that they are identically arranged in both the Smart panel and Smart Control.

There are 4 jumpers/dip-switches on each device. They can be found when you remove the battery compartment cover. When the jumpers are present the circuit is 'ON'. If absent the circuit is 'OFF'. Ensure that these settings are identical if you need to make modifications to the panel, sensors and any remote control device.

Jumpers for House Security Code		<ul style="list-style-type: none"> - Smart Panel - Each sensor <p>Default House Security Code: 1: ON, 2: ON, 3: ON, 4: ON</p> <p>*Jumper: ON = Pushed in, OFF = Pulled out</p>
---------------------------------	---	--

- a. Enter the 4 digit pin on the Smart Panel and press the SETTING button and '2' (Enrollment mode).
- b. Simultaneously hold down the RECORD and RESET button on the back of the GSM Smart Control for two seconds
- c. Several beeps from the Smart Panel will indicate that the enrollment is successful
- d. Press ENTER on the Smart Panel to exit the enrollment mode

3.3. Voice messages

The user is able to pre-record a voice message up to 20 seconds long. The device has an integrated microphone and loudspeaker for recording and playing voice messages. Messages should be recorded so that they reflect the circumstances and provides key details.

IMPORTANT:

We recommend adding a note at the end of the message to remind the owner of the system to disarm the system. Otherwise, the next programmed telephone number is dialed until the dialing cycle is finished. After the last number has been dialed the Smart Control will then proceed to call the first recipient and proceed as before.

The GSM Smart Control houses a sensitive microphone. This allows the user to record a short message intended for specific individuals or the emergency services. To record a message:

- Hold (RECORD/PLAY) left button on the rear until BATTERY LED is continuously lit
- Release (RECORD/PLAY) button
- Speak into the microphone for up to 20 seconds
- Press the (RECORD/PLAY) button to cut the recording if less than 20 seconds
- Press the same (RECORD/PLAY) button for playback

4. Factory settings reset

In order to ensure that all existing settings are deleted, a factory settings reset is recommended after a new installation.

Press and hold the “RESET” button for 5 seconds. It will restore the factory default settings.

5. Setting up your Smart Control using Smart Phone Application (App)

Use of the Smart Phone allows the user a convenient and readily accessible means to remotely interact with their Red Shield Security system across long distances. Search for ‘RedShield’ to find the app on your Apple® App store or Android® Google Play to download the app to your iPhone, or other applicable device.

After installation of the application (App.) you will need to set it up as follows:

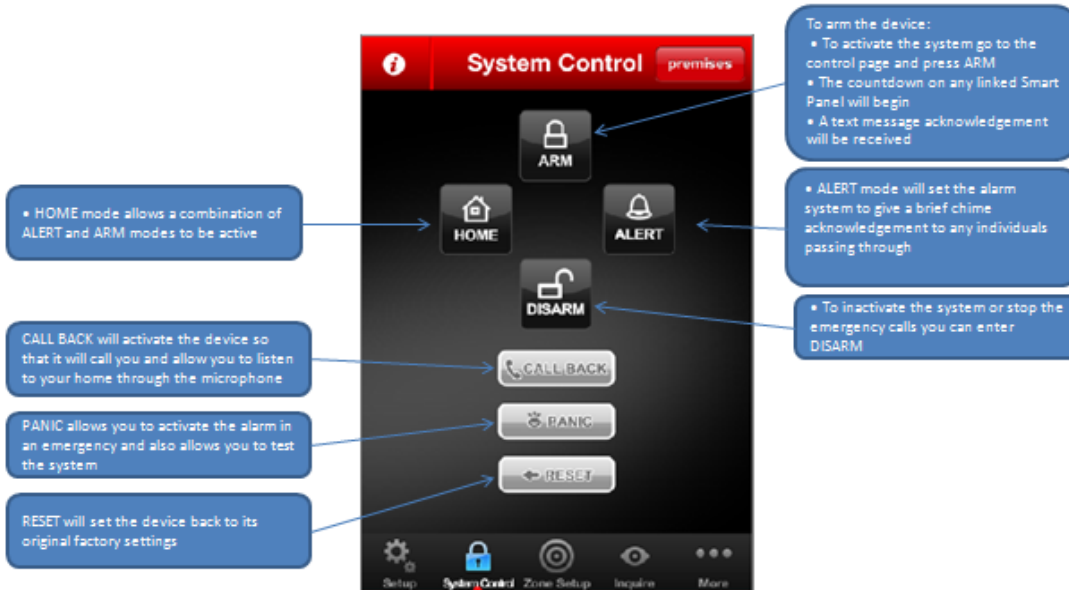
- a.) On the first time after installation determine your personalized 4-digit PIN and key this in. This PIN is to protect unauthorized personnel from accessing this application.
- b.) Re-enter your personalized 4-digit PIN to access this app.
- d.) Go to the setup page.
- e.) Select the premises which you would like to set up. You can manage up to 3 premises.
- e) Country - Select which country the system is installed in.
- f) GSM Phone - Enter the phone number of the SIM card in the GSM Smart Control
- g) GSM password – input the GSM Smart Control’s security PIN. You must enter the default PIN “1234” on the first time you access this device. An “edit” button will appear after you have set your password. Press the “edit” button and enter a personalized 4 digit PIN.
- h) Program the telephone numbers that you wish the Smart GSM console to call when your system is triggered. The GSM Smart Control can call up to 8 phone numbers.
- l) Finally, select dialing cycles. This ranges from 1 to 9 cycles, the default cycle being 3. This is the number of times you would like your GSM Smart Control console to attempt to call each phone number.
- J) After you confirmed the above setup information by pressing this button, you will receive a confirmation text message on the above settings from your GSM Smart Control in a few seconds.
- K) You will now be able to manage settings using the smart phone

*All authorized users must be using the same security password after this has been initially set. If you forget this, hold RESET to restore the Smart Control into its default. If multiple Smart phones are being used the most recent one to change the settings will have their programming entered into the system.

6. Controlling your system using Smart Phone Application (App)

System control page

Every instruction is sent via a text message. A text message acknowledgement corresponding to every instruction will be sent in response. For a detailed description of the keys press 'i'.



Inquire page

- You can check the settings of your GSM Smart Control and ensure that everything is in order by pressing CHECK SETUP on the INQUIRE page. A text message response will list telephone numbers, dialing cycles as well as the power status of any associated Smart Panel.
- After every CHECK SETUP command the associated device will enter HOME mode which allows for a combination of ARM and ALERT pre-assigned zones. You may need to send a command for the desired operating mode of your system after the inquiry.

Activation of the Alarm

Upon activation of the alarm the Smart Control will send a text message followed by a call to the first two recipients. When a recipient picks up they will hear the recording and will then be able to listen in through the microphone. If nobody picks up the Smart Control may make repeated attempts corresponding to the number of dialing cycles set. After all attempts have been made the next recipient will be dialed. After the last recipient is called the Smart Control will resume with the first recipient until the system is deactivated. This can only be achieved by the user sending an SMS to the Smart Control or by disconnecting all power sources from the Smart Control.

FCC Statement

This equipment has been tested and found to comply with the limits for a Class B digital device, pursuant to part 15 of the FCC rules. These limits are designed to provide reasonable protection against harmful interference in a residential installation. This equipment generates, uses and can radiate radio frequency energy and, if not installed and used in accordance with the instructions, may cause harmful interference to radio communications. However, there is no guarantee that interference will not occur in a particular installation. If this equipment does cause harmful interference to radio or television reception, which can be determined by turning the equipment off and on, the user is encouraged to try to correct the interference by one or more of the following measures:

- Reorient or relocate the receiving antenna.
- Increase the separation between the equipment and receiver.
- Connect the equipment into an outlet on a circuit different from that to which the receiver is connected.
- Consult the dealer or an experienced radio/TV technician for help.

To assure continued compliance, any changes or modifications not expressly approved by the party responsible for compliance could void the user's authority to operate this equipment. (Example- use only shielded interface cables when connecting to computer or peripheral devices).

FCC Radiation Exposure Statement

This equipment complies with FCC RF radiation exposure limits set forth for an uncontrolled environment. This transmitter must not be co-located or operating in conjunction with any other antenna or transmitter. This equipment should be installed and operated with a minimum distance of 20 centimeters between the radiator and your body.

This device complies with Part 15 of the FCC Rules. Operation is subject to the following two conditions: (1) this device may not cause harmful interference, and (2) this device must accept any interference received, including interference that may cause undesired operation.

Caution

Any changes or modifications not expressly approved by the party responsible for compliance could void the user's authority to operate the equipment.

7. Controlling your system using handheld devices via SMS

As an alternative if you are unable to use the Smart Phone app the Smart Control can be controlled by precise SMS text instructions. These are listed below:

GSM Smart Control SMS Definition		PWD – 4 Digit PIN Cell to GSM Smart Control	[SEND] SMS Example	GSM to Cell SMS (Acknowledgement)	[RECEIVE] SMS EXAMPLE
SETTING COMMANDS	Program the telephone number	[PWD][SETTEL][PRESET #][Tel no]	1234SETTEL [space][space]+001 23570 104;	# TEL NO. HAS BEEN PROGRAMMED TO [Tel no]	#8 TEL NO. HAS BEEN PROGRAMMED TO +001 23570 104
	Erase the telephone number	[PWD][SETTEL][PRESET #]	1234SETTEL [space]8	# TEL NO. HAS BEEN ERASED	#8 TEL NO. HAS BEEN ERASED
	Program the number of dialing cycle	[PWD][SETCYC][number of cycle]	1234SETCYC [space]9	PROGRAMMED # DIALING CYCLE	PROGRAMMED 9 DIALING CYCLE
	Program the name of premises	[PWD][PREMSES]{Name}	1234PREMSES{HUSBAND CELL}	PREMISES NAME HAS BEEN SET TO HUSBAND CELL	PREMISES NAME HAS BEEN SET TO HUSBAND CELL
	Program a new password	[PWD][SETPWD][new password]	1234SETPWD [space]5678	PASSWORD HAS BEEN CHANGED	PASSWORD HAS BEEN CHANGED
Remarks:		Not applicable			
CONTROL COMMANDS	System reset and restore to factory settings	[PWD]RESET	1234RESET	SYSTEM HAS BEEN RESET	SYSTEM HAS BEEN RESET
	Set the system in STANDBY mode	[PWD]DISARM	1234DISARM	SYSTEM HAS BEEN DISARMED	SYSTEM HAS BEEN DISARMED
	Set the system in ARM mode	[PWD]ARM	1234ARM	SYSTEM HAS BEEN ARMED	SYSTEM HAS BEEN ARMED
	Set the system in HOME mode	[PWD]HOME	1234HOME	SYSTEM HAS BEEN SET TO HOME MODE	SYSTEM HAS BEEN SET TO HOME MODE
	Set the system in ALERT mode	[PWD]ALERT	1234ALERT	SYSTEM HAS BEEN SET TO ALERT MODE	SYSTEM HAS BEEN SET TO ALERT MODE
Set the system in PANIC mode	[PWD]PANIC	1234PANIC	SYSTEM HAS BEEN SET TO PANIC MODE	SYSTEM HAS BEEN SET TO PANIC MODE	
MONITOR	Inquire the system setting	[PWD]INQUIRY	1234INQUIRY	(name) TEL 1: TEL NBR # LF TEL 2: TEL NBR # LF TEL 3: TEL NBR # LF ... TEL 8: TEL NBR # LF CYCLE : NUMBER OF DIALING CYCLE LF	LILY HOME TEL 1 : +85 23570 104 TEL 2 : +85 235259 028 TEL 3 : +85 235259 027 TEL 4 : +85 235259 027 TEL 5 : +85 235259 027 TEL 6 : +85 235259 027 TEL 7 : TEL 8 : CYCLE : 9
	Instruct the GSM dialer to call back so that user can listen to the home	[PWD]CALL	1234CALL	*No SMS* System will call back the number directly	Not applicable
Notification of Events	SYSTEM TRIGGERED	Not applicable		SYSTEM TRIGGERED & GSM will call back the programmed tel. no. directly	SYSTEM TRIGGERED

8. General Maintenance

Regular maintenance and inspection is encouraged. In order to ensure that all components are at optimal performance please test all components on a regular basis and replace batteries at suitable intervals.

9. General information

The GSM Smart Control allows for greater control in terms of remote management of the Red Shield Security system. Also its automated functions can direct a short message to specific individuals or the emergency services and thus allow a more direct response to any intrusion.

Red Shield is working to expand its range of sensory devices and is the leading developer of easy to install, expandable home security systems. For more information on other Red Shield products please visit our website at www.redshieldsecurity.com.

10. Q & A

What if I have forgotten my password?

If you forget the GSM Smart Control password you may need to reset the Smart Control so that the device is able to respond to the new password. To reset the password hold down the reset button for 5 seconds. You will have to set a new password via the app Setup page.

Is this compatible with emergency lines?

Many emergency lines direct the caller to an automated reception which cannot interact with the Smart Control. We suggest you identify direct lines to relevant emergency service personnel before entering them into the Smart Control setup.

What is the wireless range? What about walls and other signal obstructions?

In an open space the range is 150 metres. We suggest you test the system before fixing them so that the optimal location can be established.

Can the system be dismantled and redeployed?

Red Shield Alarm systems are designed to be easily installed, dismantled and relocated.

Can the signal be jammed or disrupted?

Red Shield products use a specific radio frequency. There may be a case of false activation by neighbours who also use Red Shield products but your system can be modified to eliminate these by changing the House code.

Where can I buy other Red Shield Alarm systems and sensors?

Please contact any of our representatives who can assist you in contacting the local distributor.

What other Red Shield products are available?

Please visit our website at <http://www.redshieldsecurity.com> for more information on other components of the Red Shield series.

I have some other issue I require assistance on.

Please feel free to contact one of our representatives at customer@redshieldsecurity.com. We would be happy to provide whatever assistance we can.

11. Troubleshooting

Audio recording is poor

Please ensure that you speak clearly into the microphone and ensure that there is minimal background noise.

AC Power Failure

Check all connections and see whether your mains are still operational. The Backup battery should keep the device working for another 6 hours

System Battery failure

If the backup battery is running low a battery symbol will flash on the display. This should be replaced as soon as the battery low symbol appears

Sensor failure

Check that the house settings code settings are identical in the Smart Panel and in the sensor.

Bulgarian Български	Снастоящето, Smart Technologies & Investment Ltd. декларира, че това безжично устройство е в съответствие със съществените изисквания и другите приложими разпоредби на Директива 1999/5/EC.
Czech Česky	Smart Technologies & Investment Ltd. tímto prohlašuje, že tento Radio LAN device je ve shodě se základními požadavky a dalšími příslušnými ustanoveními směrnice 1999/5/ES.
Danish Dansk	Undertegnede Smart Technologies & Investment Ltd. erklærer herved, at følgende udstyr Radio LAN device overholder de væsentlige krav og øvrige relevante krav i direktiv 1999/5/EF
Dutch Nederlands	Hierbij verklaart Smart Technologies & Investment Ltd. dat het toestel Radio LAN device in overeenstemming is met de essentiële eisen en de andere relevante bepalingen van richtlijn 1999/5/EG Bij deze Smart Technologies & Investment Ltd. dat deze Radio LAN device voldoet aan de essentiële eisen en aan de overige relevante bepalingen van Richtlijn 1999/5/EC.
English	Hereby, Smart Technologies & Investment Ltd., declares that this Radio LAN device is in compliance with the essential requirements and other relevant provisions of Directive 1999/5/EC.
Estonian Eesti	Käesolevaga kinnitab Smart Technologies & Investment Ltd. seadme Radio LAN device vastavust direktiivi 1999/5/EÜ põhinõuetele ja nimetatud direktiivist tulenevatele teistele asjakohastele sätetele.
Finnish Suomi	Valmistaja Smart Technologies & Investment Ltd. vakuuttaa täten että Radio LAN device tyyppinen laite on direktiivin 1999/5/EY oleellisten vaatimusten ja sitä koskevien direktiivin muiden ehtojen mukainen.
French Français	Par la présente Smart Technologies & Investment Ltd. déclare que l'appareil Radio LAN device est conforme aux exigences essentielles et aux autres dispositions pertinentes de la directive 1999/5/CE
German Deutsch	Hiermit erklärt Smart Technologies & Investment Ltd., dass sich dieser/diese/dieses Radio LAN device in Übereinstimmung mit den grundlegenden Anforderungen und den anderen relevanten Vorschriften der Richtlinie 1999/5/EG befindet". (BMW i) Hiermit erklärt Smart Technologies & Investment Ltd. die Übereinstimmung des Gerätes Radio LAN device mit den grundlegenden Anforderungen und den anderen relevanten Festlegungen

	der Richtlinie 1999/5/EG. (Wien)
Greek Ελληνική	μ ε την παρoυσα Smart Technologies & Investment Ltd. δηλωνει οτι radio LAN device συμμορφωνεται προς τις ουσιωδεις απαιτησεις και τις λοιπες σχετικες διαταξεις της οδηγιας 1999/5/εκ.
Hungarian Magyar	Alulírott, Smart Technologies & Investment Ltd. nyilatkozom, hogy a Radio LAN device megfelel a vonatkozó alapvető követelményeknek és az 1999/5/EC irányelv egyéb előírásainak.
Italian Italiano	Con la presente Smart Technologies & Investment Ltd. dichiara che questo Radio LAN device è conforme ai requisiti essenziali ed alle altre disposizioni pertinenti stabilite dalla direttiva 1999/5/CE.
Latvian Latviski	Ar šo Smart Technologies & Investment Ltd. deklarē, ka Radio LAN device atbilst Direktīvas 1999/5/EK būtiskajām prasībām un citiem ar to saistītajiem noteikumiem.
Lithuanian Lietuvių	Šiuo Smart Technologies & Investment Ltd. deklaruoja, kad šis Radio LAN device atitinka esminius reikalavimus ir kitas 1999/5/EB Direktyvos nuostatas.
Maltese Malti	Hawnhekk, Smart Technologies & Investment Ltd., jiddikjara li dan Radio LAN device jikkonforma mal-ħtigijiet essenzjali u ma provvedimenti oħrajn relevanti li hemm fid-Dirrettiva 1999/5/EC.
Polish Polski	Niniejszym Smart Technologies & Investment Ltd. oświadcza, że Radio LAN device jest zgodny z zasadniczymi wymogami oraz pozostałymi stosownymi postanowieniami Dyrektywy 1999/5/EC.
Portuguese Português	Smart Technologies & Investment Ltd. declara que este Radio LAN device está conforme com os requisitos essenciais e outras disposições da Directiva 1999/5/CE.
Romanian Romană	Smart Technologies & Investment Ltd. declară că acest dispozitiv fără fir respectă cerințele esențiale precum și alte dispoziții relevante ale Directivei 1999/5/EC.
Slovak Slovensky	Smart Technologies & Investment Ltd. týmto vyhlasuje, že Radio LAN device spĺňa základné požiadavky a všetky príslušné ustanovenia Smernice 1999/5/ES.
Slovenian Slovensko	Smart Technologies & Investment Ltd. izjavlja, da je ta radio LAN device v skladu z bistvenimi zahtevami in ostalimi relevantnimi določili direktive 1999/5/ES.
Spanish	Por medio de la presente Smart Technologies & Investment Ltd. declara que el Radio LAN

Español	device cumple con los requisitos esenciales y cualesquiera otras disposiciones aplicables o exigibles de la Directiva 1999/5/CE
Swedish Svenska	Härmed intygar Smart Technologies & Investment Ltd. att denna Radio LAN device står i överensstämmelse med de väsentliga egenskapskrav och övriga relevanta bestämmelser som framgår av direktiv 1999/5/EG.
Turkish Turk	Smart Technologies & Investment Ltd. bu kablosuz cihazın temel gereksinimleri ve 1999/5/EC yonergesindeki ilgili koşulları karşıladığını beyan eder.