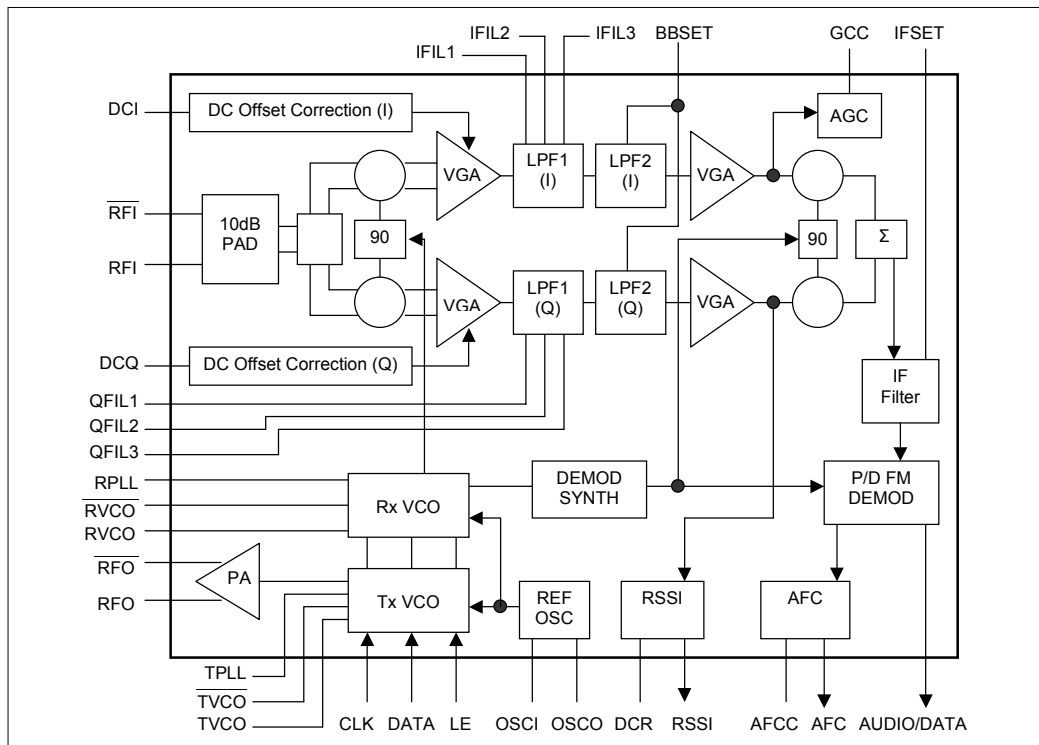


DOC NAME:	Block Diagram	SMART ELECTRONIC INDUSTRIAL(DONG GUAN)CO.,			
DESIGN:		MODEL:	RF12570	DOC NO:	
CHECKED BY:		NAME:	Block Diagram	REV:	A
PERMITTED BY:		DATE:		PAGE	1 of 1

BLOCK DIAGRAM

PIN CONFIGURATION
