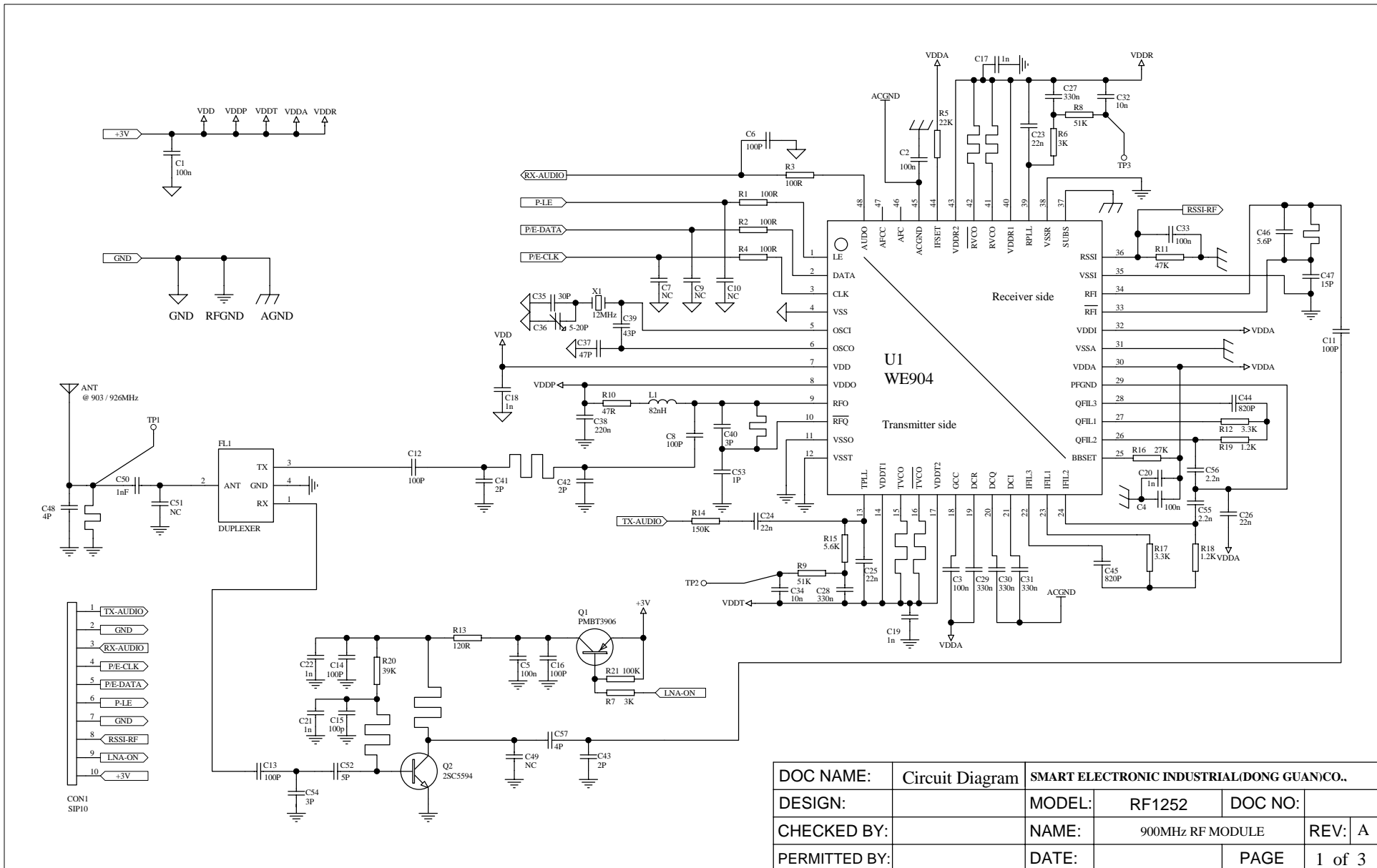


DOC NAME :	Circuit Diagram	SMART ELECTRONIC INDUSTRIAL (DONG GUAN) CO.
DESIGN :	MODEL :	RF1252
CHECKED BY :	NAME :	KEYPAD UNIT
PERMITTED BY :	DATE :	REV: A
		PAGE : 2 of 3



DOC NAME:	Circuit Diagram	SMART ELECTRONIC INDUSTRIAL(DONG GUAN)CO..			
DESIGN:		MODEL:	RF1252	DOC NO:	
CHECKED BY:		NAME:	900MHz RF MODULE	REV:	A
PERMITTED BY:		DATE:		PAGE	1 of 3