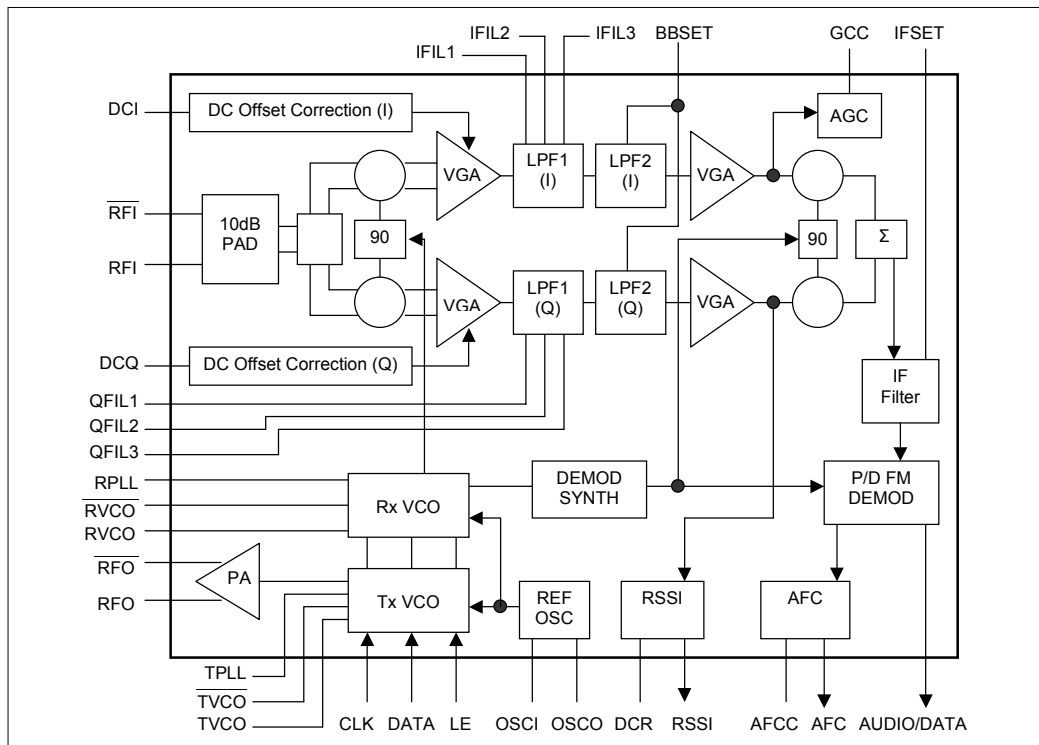


Note:
1. LNA: means "Low Noise Amplifier"

DOC NAME:	Block Diagram	SMART ELECTRONIC INDUSTRIAL(DONG GUAN)CO..		
DESIGN:	<i>Handwritten initials</i>	MODEL:	RF1252G2	DOC NO:
CHECKED BY:	<i>Handwritten signature</i>	NAME:	Block Diagram for IDU	REV: A
PERMITTED BY:	<i>Handwritten signature</i>	DATE:	03 MAR 07	PAGE 1 of 1

BLOCK DIAGRAM

PIN CONFIGURATION
