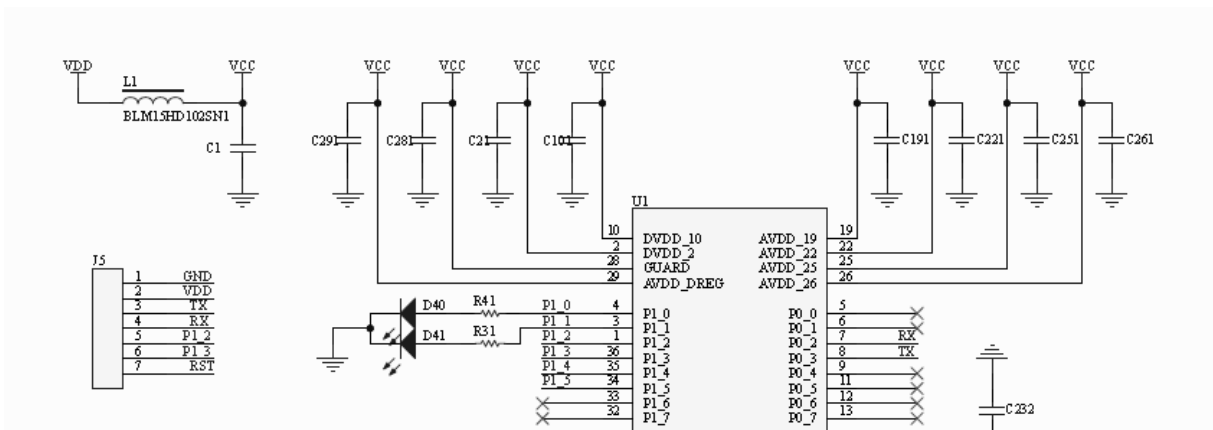


Modular Approval Request Letter

Date: 2021-02-23
 FCC ID: N8NLS4RF043610D0
 Type of Equipment: BDE Low Power

The following requirements according to FCC Part 15.212 are met:

- i RF shielding**
The radio portion has his own shielding (see external photos).
- ii Buffered modulation/data inputs**
has been integrated in the chipset CC2510
- iii Power supply regulation**
is integrated



- iv Antenna requirements section 15.203, 15.204 b and 15.204 c**
The module comes with one permanently attached antennas. The spurious emission requirements are fulfilled (see attached test report).
- v Stand alone test configuration**
Please referring to test set up configuration photo
- vi Labelling**
The module has its own label. The instruction for labelling rules for the host device has been stated in the users manual
- vii Compliance on specific rule or operating requirements**
The required FCC rules has been fulfilled and all instructions for maintaining compliance has been clearly stated in the users manual
- viii RF Exposure**
RF exposure requirements are fulfilled for mobile configuration. The installation of the module is restricted to mobile host devices what is clearly stated in the installation instruction of the user manual.
For portable applications OEM integrators need SAR evaluation and an own FCC ID.

Henry Kim

Name: Henry Kim
 Title: Test Manager
 Company: Lierda Science & Technology Group Co.,Ltd