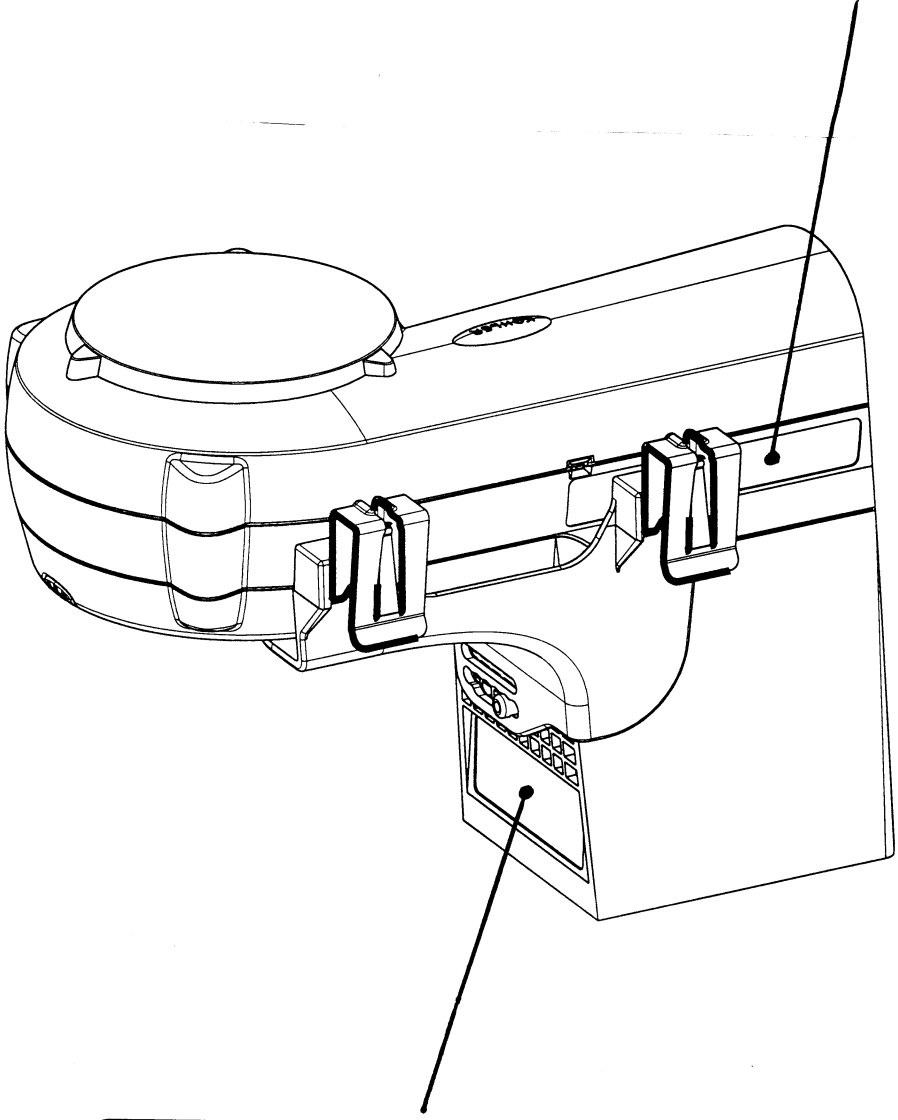


THIS DEVICE COMPLIES WITH PART 15 OF THE FCC RULES. OPERATION IS SUBJECT TO THE FOLLOWING TWO CONDITIONS: (1) THIS DEVICE MAY NOT CAUSE HARMFUL INTERFERENCE, AND (2) THIS DEVICE MUST ACCEPT ANY INTERFERENCE RECEIVED, INCLUDING INTERFERENCE THAT MAY CAUSE UNDESIRE OPERATION.



KOHLER.
AIR FILTERING ACCESSORY

MODEL NO. K-4657

FCC ID N82PNA1 | 12 VDC

KOHLER CO. KOHLER, WI 53044 USA

LISTED
UL
®
XXXX

CRAFTED IN CHINA

THIS DEVICE COMPLIES WITH PART 15 OF THE FCC RULES. OPERATION IS SUBJECT TO THE FOLLOWING TWO CONDITIONS: (1) THIS DEVICE MAY NOT CAUSE HARMFUL INTERFERENCE, AND (2) THIS DEVICE MUST ACCEPT ANY INTERFERENCE RECEIVED, INCLUDING INTERFERENCE THAT MAY CAUSE UNDESIRE OPERATION.

KOHLER.
AIR FILTERING ACCESSORY

MODEL NO. K-4657
FCC ID N82PNA1 12 VDC

KOHLER CO. KOHLER, WI 53044 USA

LISTED
UL
®
XXX

CRAFTED IN CHINA