

INSTALLATION

G U I D E

VENTILATING
TOILET KIT

THE BOLD LOOK
OF **KOHLER**®

RECOMMENDED TOOLS AND MATERIALS



Adjustable
Wrench



Tape
Measure



Scissors
or Snip

IMPORTANT SAFEGUARDS

When using electrical products, especially when children are present, basic safety precautions should always be followed, including the following:

READ ALL INSTRUCTIONS BEFORE USING THIS APPLIANCE.

⚠ DANGER: Risk of electrical shock. To reduce the risk of electrical shock:

Only connect the AC adapter to a properly-grounded, grounding-type receptacle which is protected by a Ground-Fault Circuit-Interrupter (GFCI).

Do not drop into water or other liquid.

Do not reach for a product that has fallen into water. Unplug immediately.

⚠ WARNING: To reduce the risk of personal injury, follow these safety precautions:

Use this ventilating toilet kit for its intended use as described in this manual. Do not use attachments not recommended by Kohler Co.

Never operate this ventilating toilet kit if it has a damaged cord or plug, if it is not working properly, if it has been dropped or damaged, or dropped into water. This product has no user adjustable parts.

Keep the cord away from heated surfaces.

SAVE THESE INSTRUCTIONS

Operation of this equipment is authorized under a waiver issued by the FCC, and is subject to the following conditions: (1) This device may not cause harmful interference, and (2) this device must accept any interference received, including interference that may cause undesired operation. If it is determined that operation of this equipment causes harmful interference to authorized radio operations, the operator shall immediately cease operations and contact the Compliance and Information Bureau of the FCC.

BEFORE YOU BEGIN

⚠ WARNING: Do not use in-tank cleaners. Products containing chlorine (calcium hypochlorite) can seriously damage this product as well as the other fittings in your toilet. Kohler Company shall not be responsible or liable for any damage caused by the use of cleaners containing chlorine.

- Do not attempt to repair or replace the AC adapter.
- Do not use an extension cord with this product.
- Electrical service requirements: 120 VAC, 60 Hz (circuit protected by a Class A GFCI). The kit uses a 6' low-voltage electrical cord and AC adapter.
- This ventilating toilet kit uses a motion-sensing device to automatically turn itself on and off.
- Plug in the AC adapter only after the ventilating toilet kit is properly installed in the toilet tank.

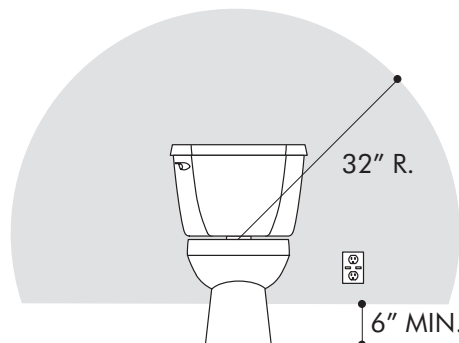
1. INSTALL ELECTRICAL SERVICE (IF NEEDED)

NOTE: You can use an existing electrical service if it meets the following requirements.

A licensed electrician should install a properly-grounded, grounding-type receptacle which is protected by a GFCI.

We recommend that the electrician locate the receptacle no less than 6" above the floor line, and within a 32" radius measured level with the toilet ledge, as shown.

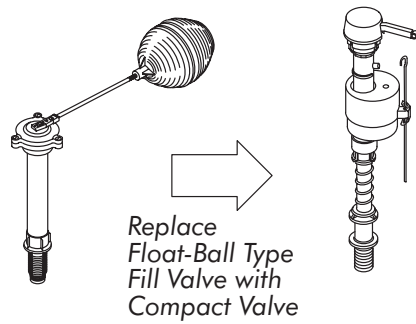
NOTE: Do not connect this product to an extension cord.



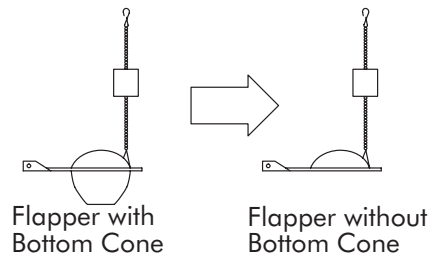
2. INSTALL THE KIT

Remove the tank cover.

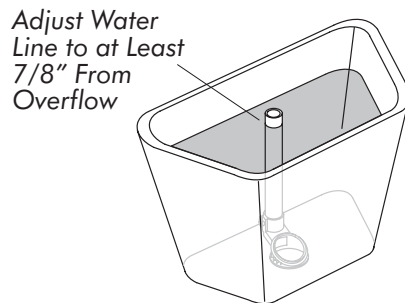
If your toilet uses a fill valve with a float ball, you must replace it with a compact fill valve such as a Fluidmaster 400A. Replace the fill valve according to the manufacturer's instructions.



We recommend a flapper without a bottom cone to optimize performance of the ventilating toilet kit.



Adjust the tank water line so it is at least 7/8" from the top of the overflow to ensure correct operation of the ventilating kit.

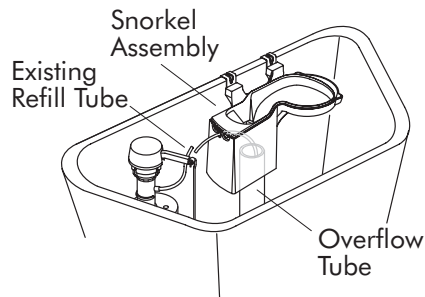


Shut off the water supply to the toilet, and flush the toilet to relieve the water pressure.

Remove and discard the existing refill tube from the fill valve.

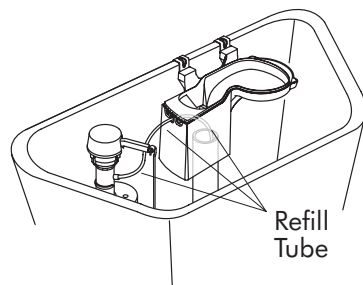
Position the snorkel assembly over the overflow tube, and hang the snorkel assembly on the back wall of the tank.

Adjust the snorkel assembly from side-to-side and front-to-back to prevent interference with the trip lever linkage, fill valve, and tank walls.

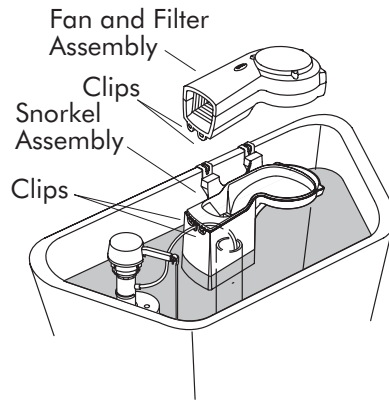


Connect the new refill tube to the overflow tube. Make sure the refill tube points directly down into the overflow tube to ensure proper toilet operation. Trim away any excess tube length. Then connect the new refill tube to the fill valve.

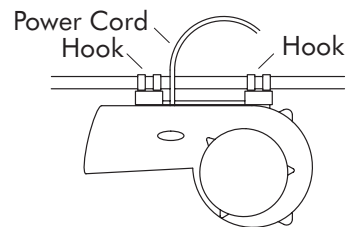
Turn on the water supply to the toilet. Allow the toilet tank to fill until it shuts off. Re-check the water level to ensure a 7/8" minimum space between the water line and the top of the overflow.



Install the fan and filter assembly to the snorkel assembly by first engaging the two clips located on the left side of each assembly. Then squeeze the right side of both assemblies together to snap in place.



Route the power cord between the hooks, and plug the AC adapter into a properly-grounded, grounding-type receptacle which is protected by a GFCI. Re-install the tank cover.



3. OPERATION

This kit is equipped with a built-in motion sensor for automatic activation and de-activation from inside the toilet tank.

- The ventilating toilet kit will run for up to 60 seconds when initially plugged in.
- The kit turns on when it senses motion above the toilet bowl area, or when the toilet is flushed.
- The kit remains on as long as it senses motion every 90 seconds.
- The kit turns off automatically about 90 seconds after the user leaves the toilet, or after the toilet flush sequence ends.

4. TROUBLESHOOTING

SYMPTOM	CAUSE	REMEDY
Noise after the flush.	A gurgling noise may occur after the flush due to air and water interaction.	Normal operation.
Bowl water level is low.	Refill tube not pointing down overflow tube.	Reposition the refill tube.
Water in filter.	Less than 7/8" from water line to top of overflow.	Adjust water line to at least 7/8" from top of overflow.
	Refill tube not pointing down overflow tube.	Reposition the refill tube.
Kit activates by itself.	Leaking flapper causing tank refill cycle.	Replace the flapper.
Kit does not turn on.	Unit not plugged in or power turned off.	Plug in or turn on power.
Kit does not turn off.	A metal object is on the tank lid.	Remove metal object from the tank lid.

CALL US FOR HELP

Questions? Problems? First review the installation instructions to ensure correct installation. For additional assistance in the USA, call our Customer Service Department for direct help. You may also contact us at our web site listed below.

1-800-4-KOHLER

THE BOLD LOOK
OF **KOHLER**[®]
www.kohlerco.com