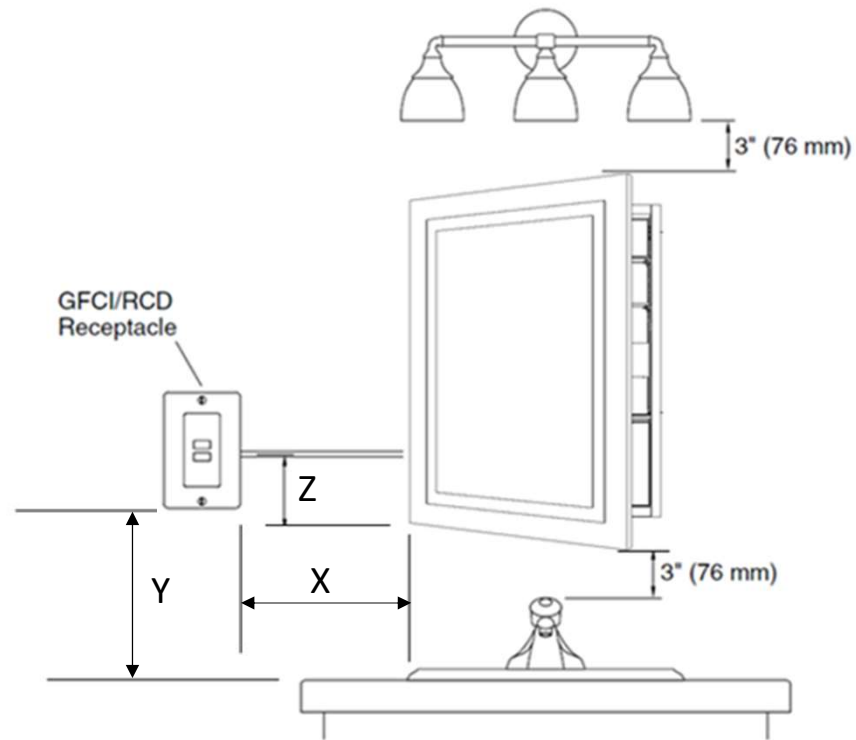


K-33690-L-NA, K-33690-R-NA installation


Roughing in information




Refer table 1 for location of GFCI/RCD


IMPORTANT SAFETY INSTRUCTIONS

Read all instructions before using or installing this product.


 **WARNING:** When using electrical products, basic precautions should always be followed, including the following:

 **WARNING:** Risk of electric shock. Grounding is required for the outlets within the power bar. Connect only to a circuit protected by a Class A Ground-Fault Circuit-Interrupter (GFCI)*, which protects against line-to-ground shock hazard. Use a 120 V, 15 A service.

 **WARNING:** Risk of electric shock. A qualified electrician must route all electrical wiring for the product. Improper installation will create an electrical hazard and may not comply with local building and electrical codes.

 **WARNING:** Risk of electric shock. Turn the electricity off at the circuit breaker or fuse box before moving, testing, cleaning, or repairing this product. When unplugged, the electric supply will no longer be electrically live, which will eliminate the risk of electric shock.

 **CAUTION:** Risk of electric shock. Risk of electric shock. Electrical wiring may need to be relocated. **NOTICE:** Follow all local building, electrical, and plumbing codes. *Outside North America, this device may be known as a Residual Current Device (RCD)

 This equipment complies with FCC/IC RSS-102 radiation exposure limits set forth for an uncontrolled environment. This equipment should be installed and operated with minimum distance 20cm between the radiator & your body.

ce matériel est conforme aux limites de dose d'exposition aux rayonnements, FCC / CNR-102 énoncée dans un autre environnement.cette equipment devrait être installé et exploité avec distance minimale de 20 entre le radiateur et votre corps.

Compliance

FCC ID: N82-KOHLER052

This device complies with Part 15 of the FCC Rules. Operation is subject to the following two conditions:

- (1) This device may not cause harmful interference, and
- (2) This device must accept any interference received, including interference that may cause undesired operation.

Changes or modifications not expressly approved by the party responsible for compliance could void the user's authority to operate the equipment.

This equipment has been tested and found to comply with the limits for a Class B digital device, pursuant to Part 15 of the FCC Rules. These limits are designed to provide reasonable protection against harmful interference in a residential installation. This equipment generates, uses, and can radiate radio frequency energy and, if not installed and used in accordance with the instructions, may cause harmful interference to radio communications. However, there is no guarantee that interference will not occur in a particular installation. If this equipment does cause harmful interference to radio or television reception, which can be determined by turning the equipment off and on, the user is encouraged to try to correct the interference by one of the following measures:

- Reorient or relocate the receiving antenna.
- Increase the separation between the equipment and receiver.
- Connect the equipment into an outlet on a circuit different from that to which the receiver is connected.
- Consult the dealer or an experienced radio/TV technician for help.

CANADA IC: 4554A-KOHLER052

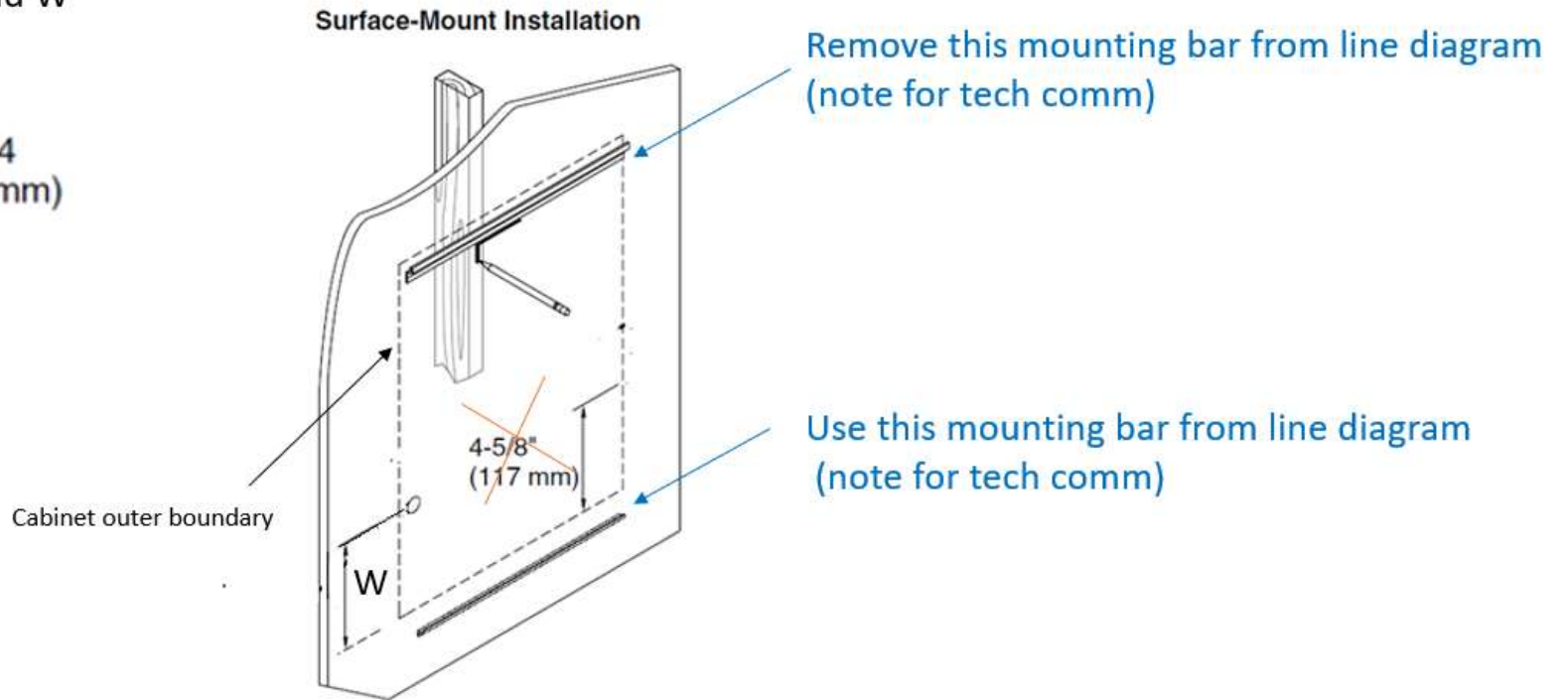
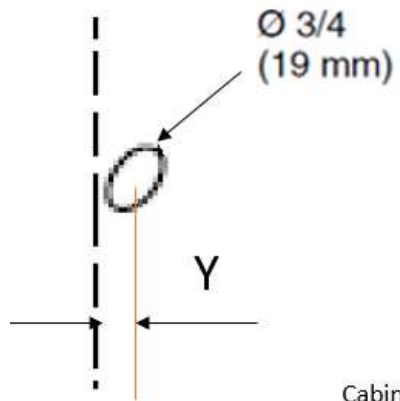
This device complies with Industry Canada licence-exempt RSS standard(s). Operation is subject to the following two conditions:

1. This device may not cause interference, and
2. This device must accept any interference, including interference that may cause undesired operation of the device.

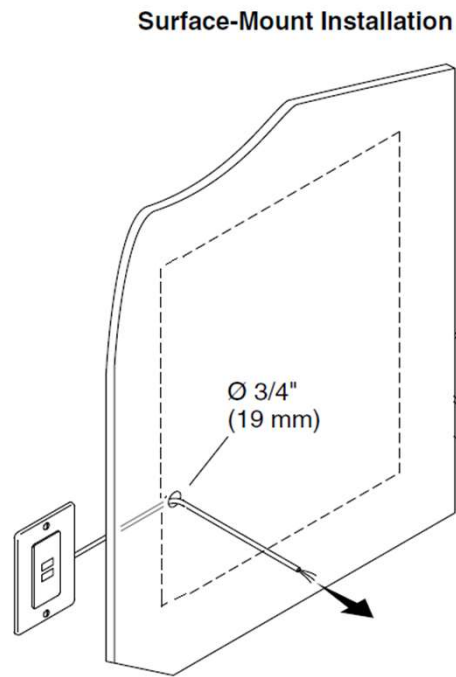
Le présent appareil est conforme aux CNR d'Industrie Canada applicables aux appareils radio exempts de licence. Le fonctionnement de l'appareil est soumis aux deux conditions suivantes : 1. L'appareil ne doit pas produire de brouillage, et 2. Cet appareil doit tolérer les interférences reçues, y compris celles qui risquent de provoquer un fonctionnement indésirable

Surface mount installation

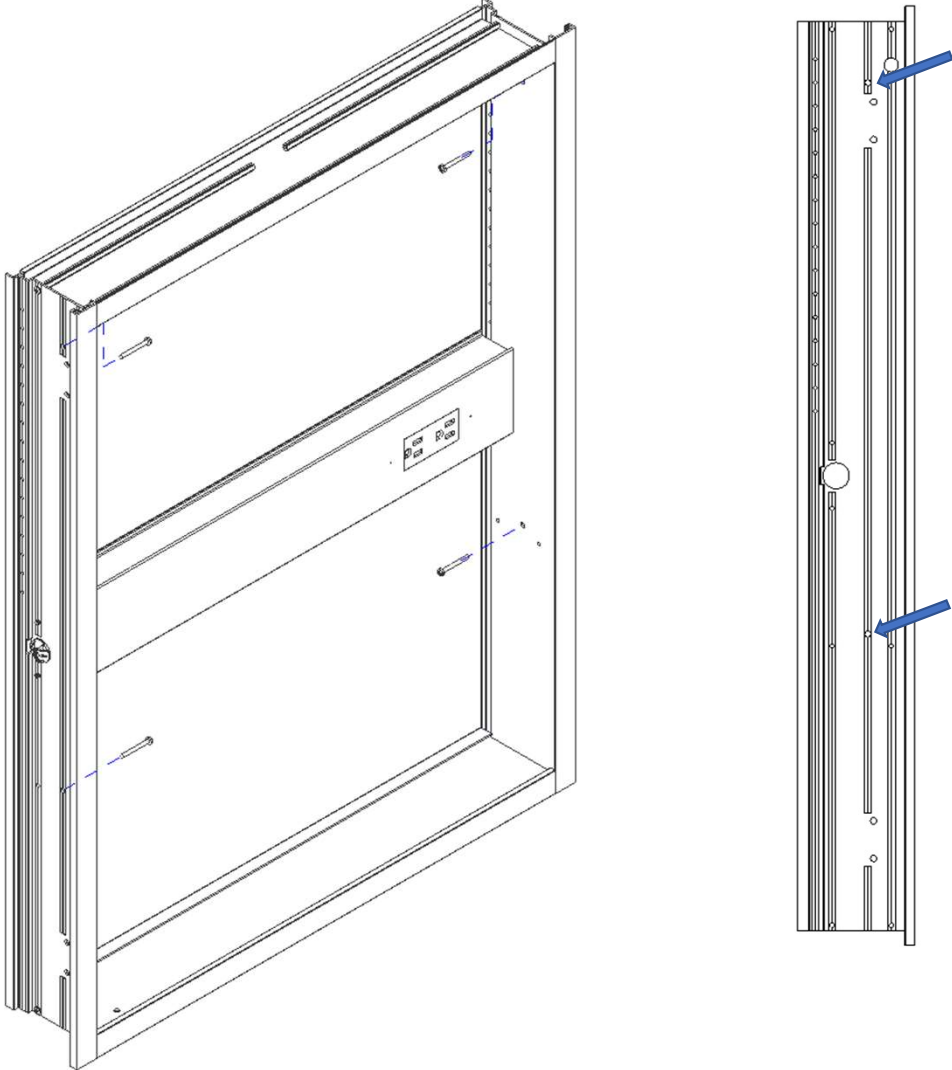
Refer table 3 for the values Y and W



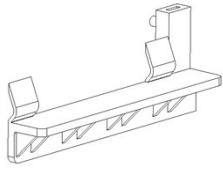
Surface mount installation



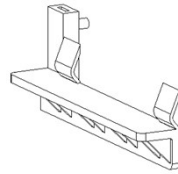
Recess mount installation



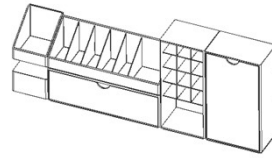
Accessories List



Shelf clip LHS



Shelf clip RHS



Makeup station



Mounting Bar



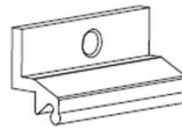
Screw ST3.5x35



Glass Shelves



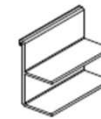
Wall Anchors



Top Clips

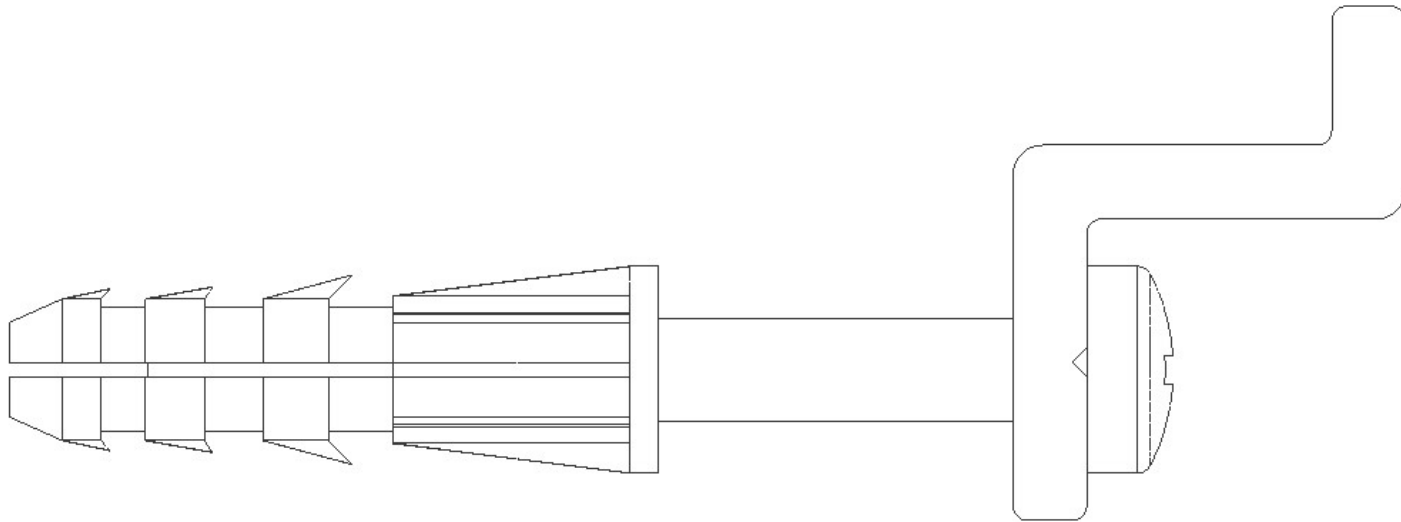


Side Mirror



Hanger

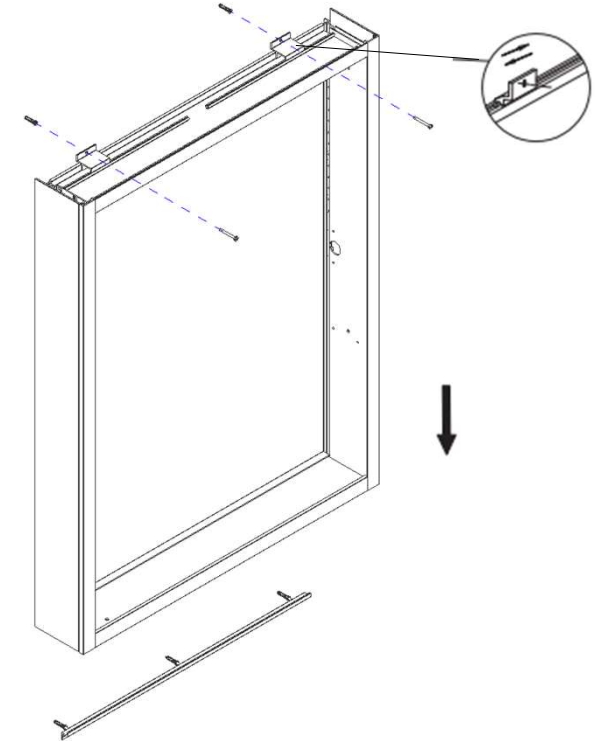
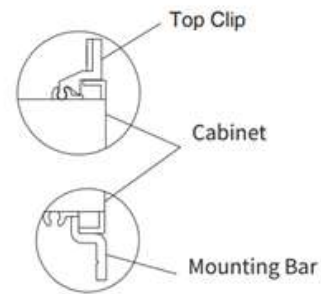
Mounting bar installation



Cabinet Surface mount installation

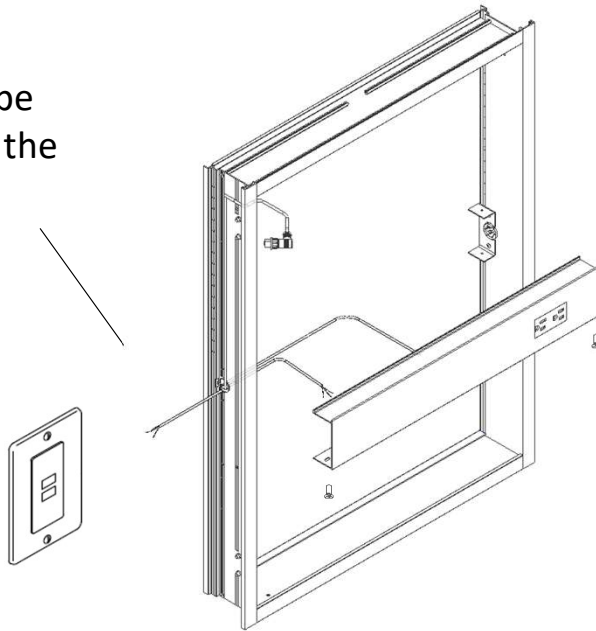
Fix the cabinet

1. Put the cabinet on the mounting bar.
2. Insert top clips from the center of the top. Slide the clips to align with the drilled holes. Fix with screws.

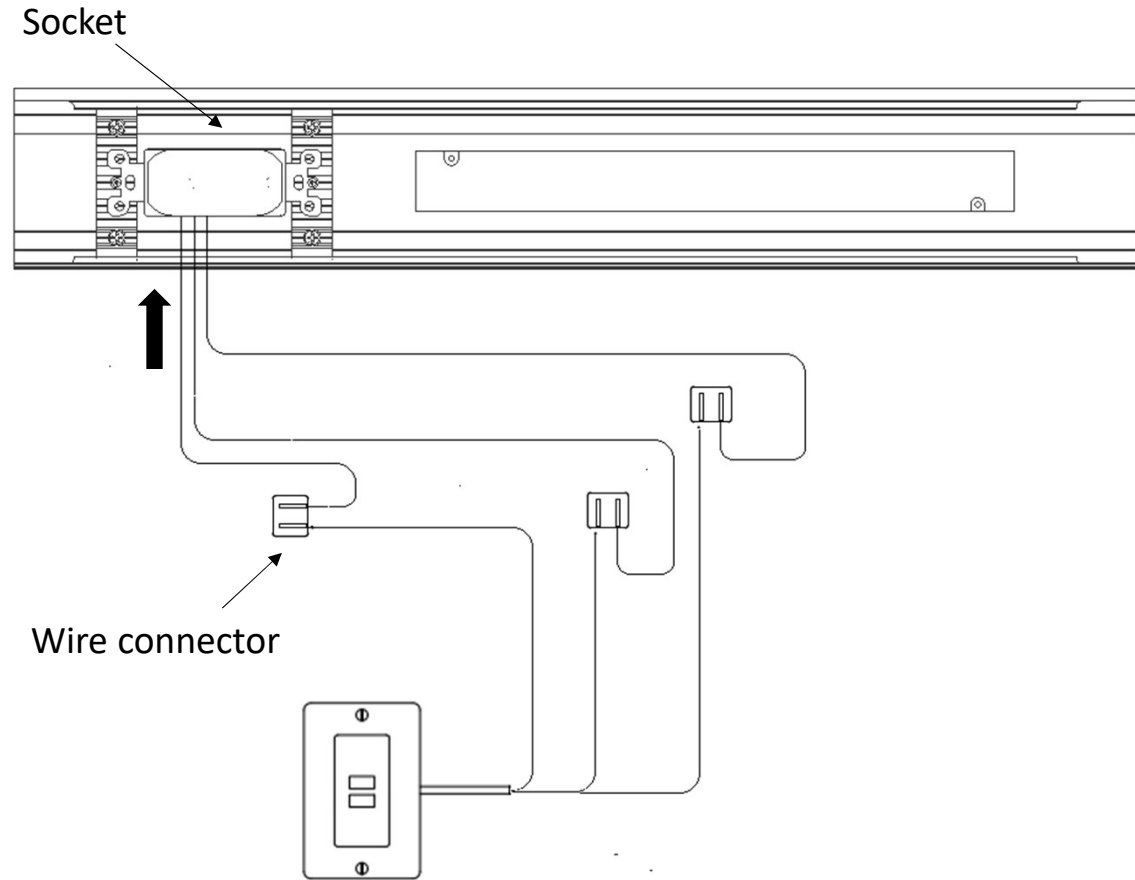


Connect the GFCI/RCD Receptacle

UL cable can be connected to the GFCI / RCD

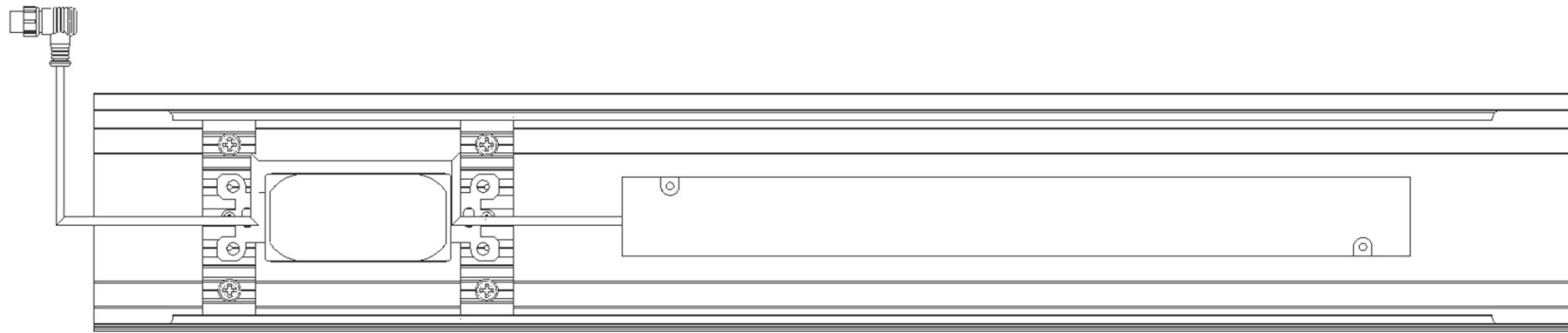


1. Take out the junction box by removing the screws.
2. Connect the electrical wiring from the GFCI/RCD receptacle to the proper connectors on the power box as shown.

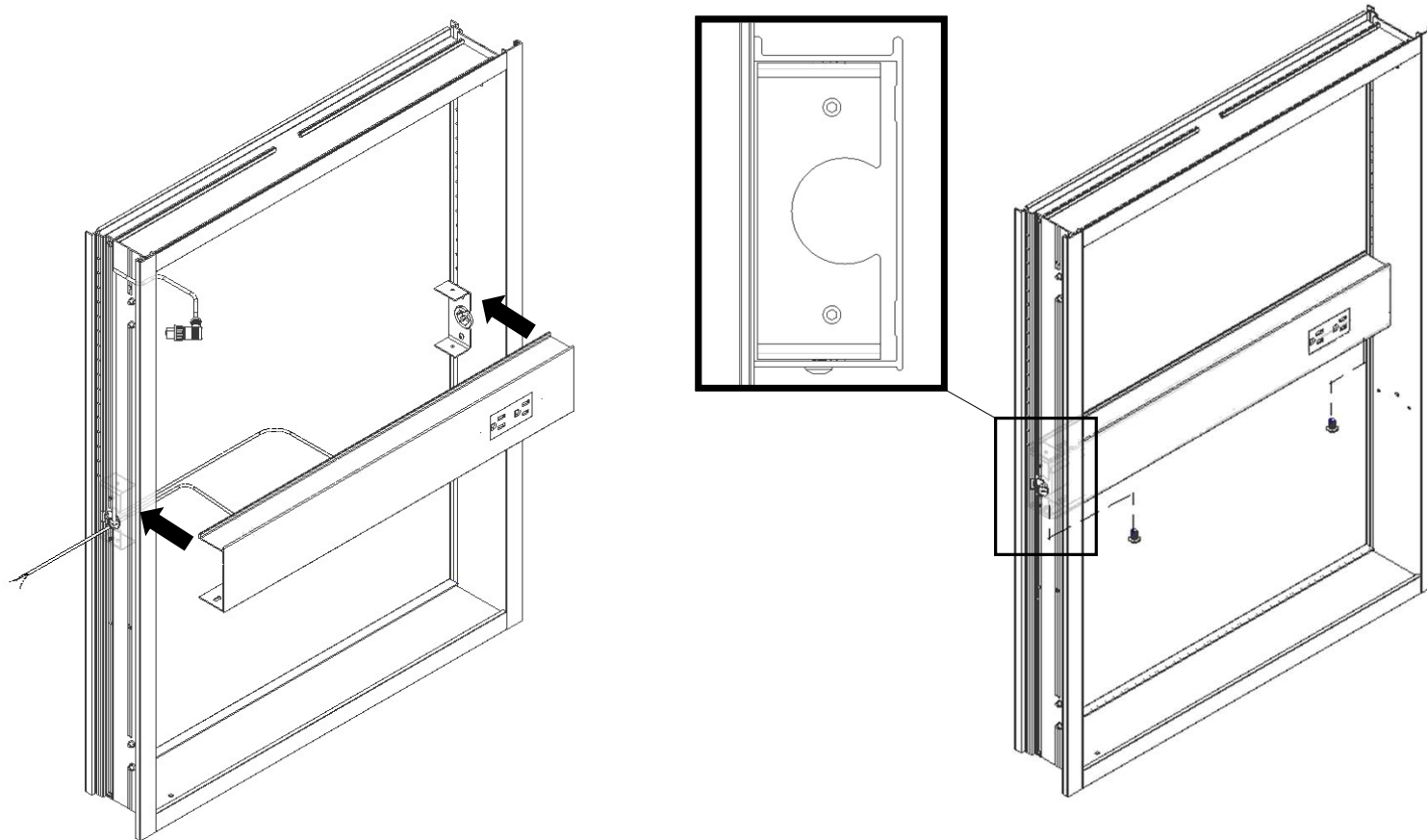


Note: Wire connectors to be placed inside the junction box

Door cable

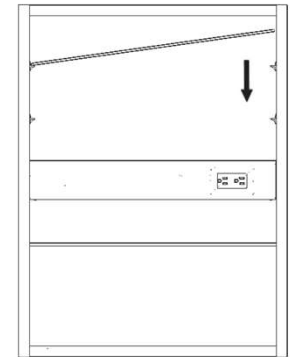
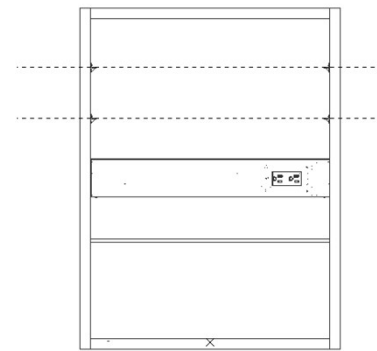
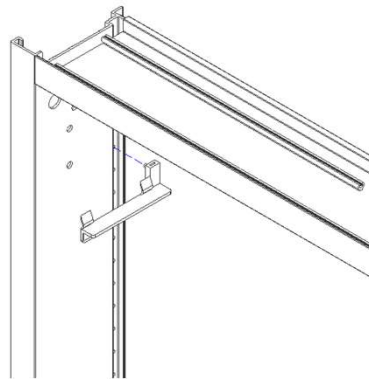


Install the power box

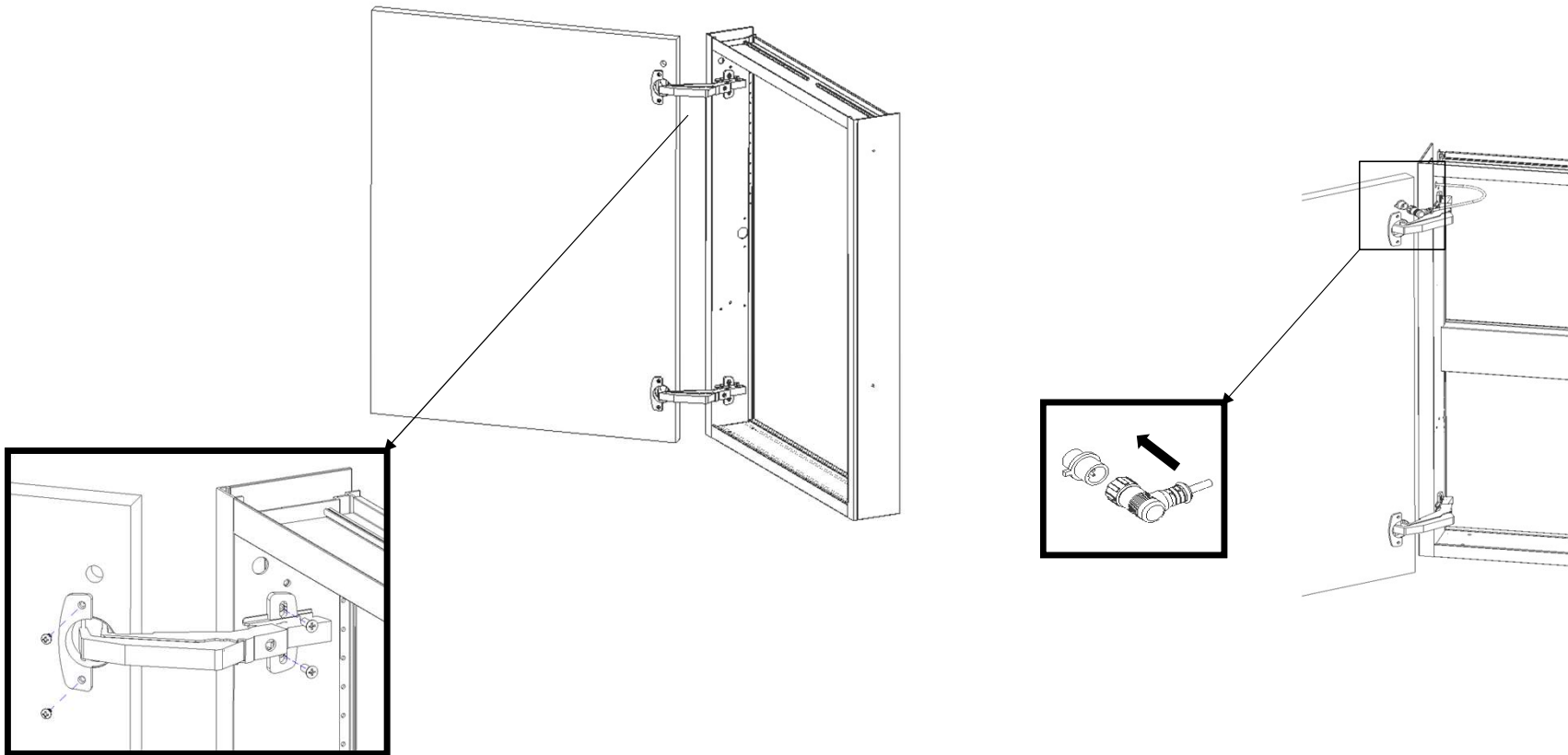


Installation of glass shelf

1. Insert the shelf clip pins firmly into the side holes.
2. Verify the clips on the both sides of the cabinet are aligned.
3. Position the shelf at an angle with one end resting on one shelf clip and press the other end of the shelf firmly against the corresponding opposite shelf clip



Door installation



Internal Communication: For internal & partner use only.

Door adjustment

Adjust the door (only necessary if the door does not completely match the cabinet when it is closed).

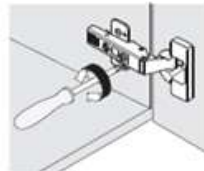
Door adjustments

1. Open hinge cover before adjusting the door.

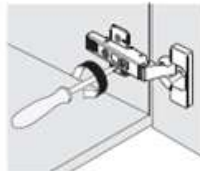


2. Adjust the hinge of door in 3 directions to make sure the door level as shown.

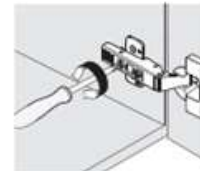
Height Adjustment



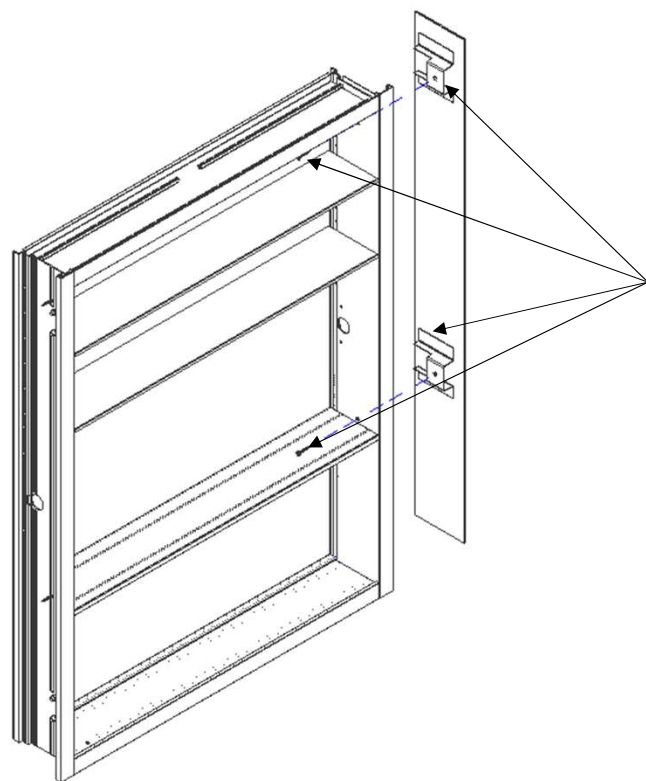
Side Adjustment



Depth Adjustment



Installation of side mirror



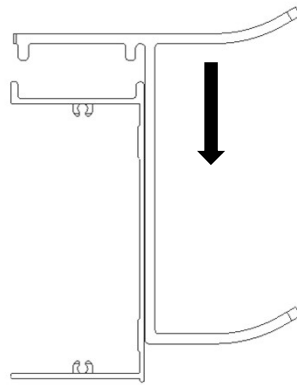
Install accessories and side mirror as shown.

Fix the side mirror assembly with screws.

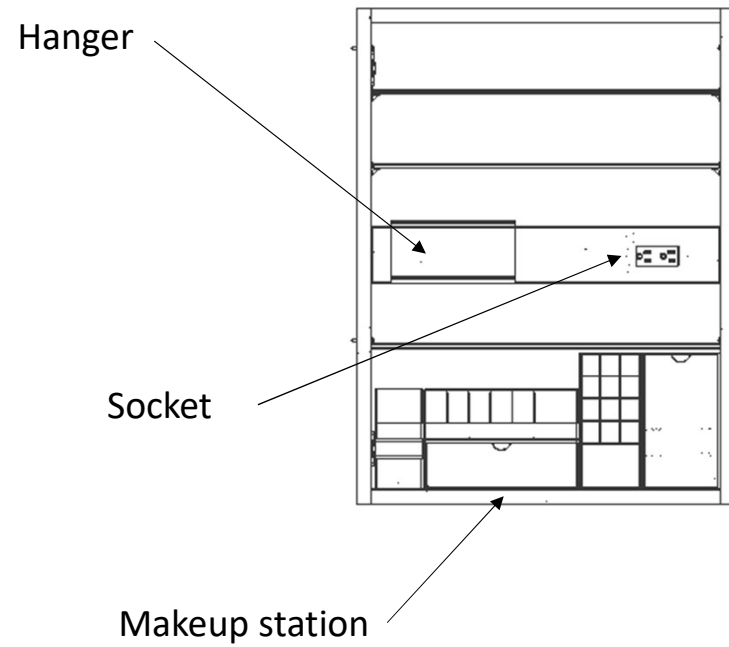
Fix the mirror on MC with screws

Installation of all parts of the mirror cabinet

- Hang the utility bar shelf on the Utility bar.



Parts of the mirror cabinet



Electrical parameters (US)

600 mm version

- Input voltage 120V 60HZ
- Rated power 55W
- Power factor: >0.9
- Sensor distance: <1.2m (24G microwave)
- Lumen output: 1300 Lumen
- Correlated Color Temperature : 3000K~6500K
- Color Rendering Index : >90

ShowCase version

- Input voltage 120V 60HZ
- Rated power 20W
- Power factor: >0.5 (TBD)
- Lumen output: 150 Lumen
- Correlated Color Temperature : 4000K
- Color Rendering Index : >90