

Homeowners Guide

Cleansing Seat

K-26142-CR, K-27142-CR

Français, page "Français-1"
Español, página "Español-1"

1354689-5-A

THE BOLD LOOK
OF **KOHLER**®

IMPORTANT SAFEGUARDS

READ ALL INSTRUCTIONS BEFORE USING

When using electrical products, especially when children are present, basic safety precautions should always be followed, including the following:

IMPORTANT! Risk of product damage. Do not install this product in a location exposed to excessive moisture where condensation might form on the product surface. Provide adequate ventilation when bathing to avoid damage to the electronic components due to high humidity levels.

IMPORTANT! Risk of product or property damage. Pushing or pulling on the water connection may cause water leakage.

IMPORTANT! Risk of product damage. Do not apply excessive force to the spray wands.

IMPORTANT! Risk of product damage. In areas where water may freeze in the pipes, make arrangements to keep the pipes warm. Any water remaining in the seat may freeze during winter storage. Allow the unit to warm to room temperature before reinstalling or using.

IMPORTANT! Risk of product damage. Do not supply electrical power to the unit until the plumbing installation work has been completed, as it may cause the product to malfunction.

NOTE: The thermal protectors may trip during storage or transportation in warm weather causing the unit to not operate. Allow the unit to cool to room temperature before installation or operation.



DANGER: To reduce the risk of electrocution:

- Do not place or store this product where it can fall or be pulled into a bath or sink.
- Do not place in or drop into water or other liquid.
- Do not reach for a product that has fallen into water. Unplug immediately.

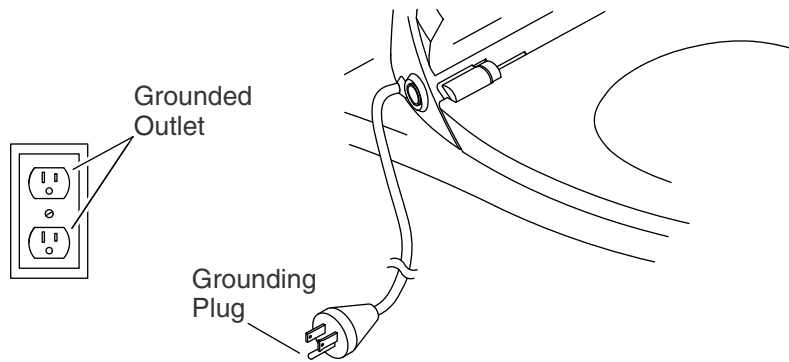
IMPORTANT SAFEGUARDS (cont.)



WARNING: To reduce the risk of burns, electrocution, fire, or injury to persons:

- Close supervision is necessary when this product is used by or near children, the elderly, or invalids. Adjust the temperature of the seat for the elderly, those who are incapacitated, or persons with sensitive skin.
- Use this product only for its intended use as described in this manual. Only use attachments recommended by Kohler Co.
- Never operate this product if it has a damaged cord or plug, if it is not working properly, if it has been dropped, damaged, or dropped into water. Return the product for examination and repair.
- Keep the cord away from heated surfaces.
- Never block the air openings of the product or place it on a soft surface, such as a bed or couch, where the air openings may be blocked. Keep the air openings free of lint, hair, and the like.
- Never use while sleeping or drowsy.
- Never drop or insert any object into any opening or hose.
- Do not use outdoors or where aerosol spray products are being used or where oxygen is administered.
- Connect this product to a properly grounded outlet only. See the "Grounding Instructions" section.
- This product conforms to applicable provisions of US 21 CFR, Chapter 1, Subchapter J, Radiological Health.

SAVE THESE INSTRUCTIONS



Grounding Instructions



WARNING: Risk of electric shock, fire, or personal injury.

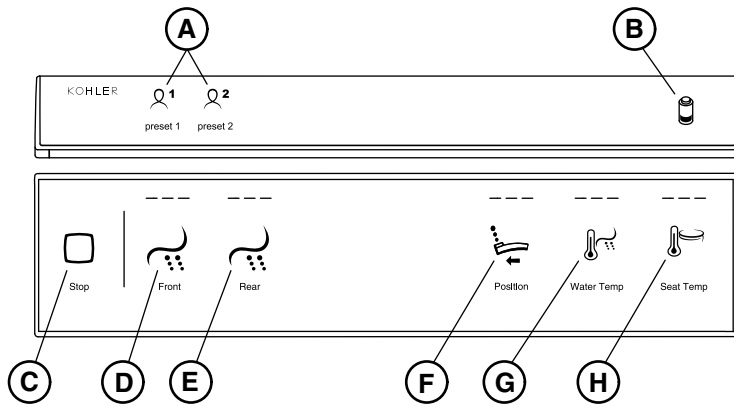
This product must be grounded and connected only to a dedicated, nominal 120 VAC, 60 Hz circuit protected by a minimum 15 A Ground-Fault Circuit-Interrupter (GFCI) or Residual Current Device (RCD).

- This product should be grounded. In the event of an electrical short circuit, grounding reduces the risk of electric shock by providing an escape wire for the electric current. This product is equipped with a cord having a grounding wire with a grounding plug. The plug must be plugged into an outlet that is properly installed and grounded.

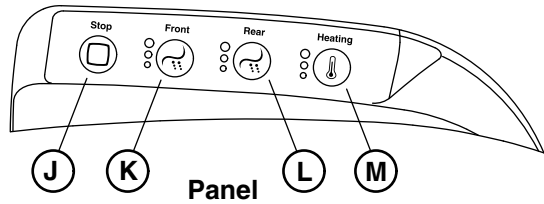


DANGER: Risk of electric shock. Improper use of the grounding plug can result in a risk of electric shock.

- If repair or replacement of the cord or plug is necessary, do not connect the grounding wire to either flat blade terminal. The wire with insulation having an outer surface that is green with or without yellow stripes is the grounding wire.
- Check with a qualified electrician or service personnel if the grounding instructions are not completely understood, or if in doubt whether the product is properly grounded.
- Do not use an extension cord with this product.



Remote Control



Panel

Remote Control Operation

NOTE: For features with multiple settings, press the icon to move the setting one level higher. If the feature is set at the highest level, pressing the icon will deactivate it or adjust it to a lower setting.

NOTE: Make sure that four AA batteries are installed correctly in the remote control.

- **A - Preset 1 and Preset 2:** The presets allow two users to save their feature settings. When "Preset 1" or "Preset 2" are selected, the saved preferences will activate. Refer to the "User Presets" sections below.
- **B - Battery Indicator:** Shows the status of the battery charge. When the battery is at 100%-50% charge, the icon is off. When the battery is at 49%-20% charge, the icon flashes for 4 seconds after the last icon is pushed. When the battery is at 19% or less charge, the icon glows for 4 seconds after the last icon is pushed.
- **C - Stop:** Press the "Stop" icon to stop the front wash, rear wash, and dryer features.

Remote Control Operation (cont.)

- **D - Front:** Press the "Front" icon to activate the front wash feature and adjust the front wash water pressure.
- **E - Rear:** Press the "Rear" icon to activate the rear wash feature and adjust the rear wash water pressure.
- **F - Position:** Press the "Position" icon to adjust the wand position when front or rear wash is active. There are three settings.
- **G - Water Temp:** Press the "Water Temp" icon to adjust the water spray temperature. There are three settings.
- **H - Seat Temp:** Press the "Seat Temp" icon to activate the heated seat. Press again to increase the temperature. There are six settings. When there is no light the heated seat is deactivated.
- **J - Stop:** Press the "Stop" icon to stop the front wash, rear wash, and dryer features.
- **K - Front:** Press the "Front" icon to activate the front wash feature and adjust the front wash water pressure.
- **L - Rear:** Press the "Rear" icon to activate the rear wash feature and adjust the rear wash water pressure.
- **M - Heating:** Press the "Heating" icon to activate the heated seat. Press again to increase the temperature. There are three settings.

Setting the User Presets

NOTE: The presets allow two users to save their feature settings. When "Preset 1" or "Preset 2" are selected, the saved preferences will activate.

- While seated, adjust the seat features to your preferences.
- Press and hold the "Preset 1" or "Preset 2" icon for 3 seconds to save activated features at the current settings.
- To change a setting, adjust the front wash, rear wash, or dryer feature while the preset is in use. Press and hold the "Preset 1" or "Preset 2" icon for 3 seconds to store the new setting to memory.

Using the User Presets

- Press the "Preset 1" or "Preset 2" icon while you are seated to activate front wash, rear wash, dryer temperature and speed, and seat temperature at your stored settings.
- If the "Preset 1" or "Preset 2" icon is pressed while the seat is not occupied, the seat will gradually (approximately 2 minutes) change to the preset temperature.

Remote Control Operation (cont.)

- To reset or delete a preset, press and hold the "Preset 1" or "Preset 2" and the "Stop" icons at the same time for three seconds.

Nightlight

- To turn off the nightlight, press and hold the "Stop" icon for three seconds.
- To disable the nightlight, press and hold the "Front" icon for three seconds.

Pairing a Remote Control

- A new remote control must be paired with the seat before use.
- Only one remote control can be paired with the seat at a time.
- Bring the new remote control near the seat.
- Make sure that all other remote controls have been removed from the area of the seat.
- Press and hold the "Seat Temp" icon until the icon flashes.
- Simultaneously press and hold the "Front" and "Rear" icons on the seat until a beep is heard.
- When the "Seat Temp" icon on the remote control stops flashing and the "Preset 1" and "Preset 2" icons are no longer illuminated, the remote control has been successfully paired with the seat.

Care and Cleaning

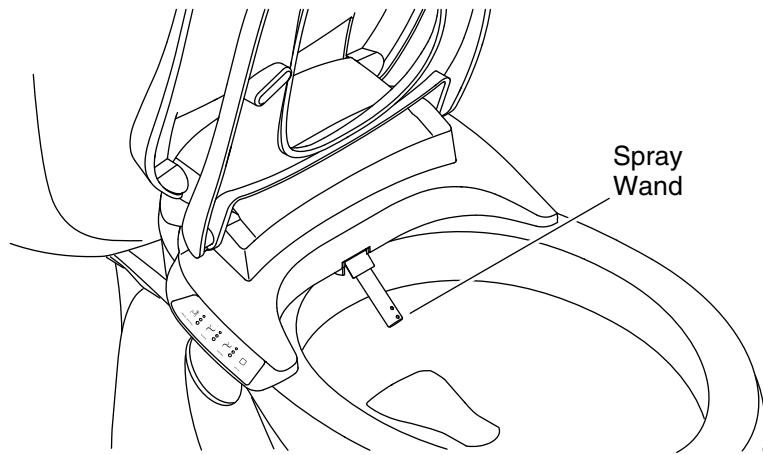
For best results, keep the following in mind when caring for your KOHLER product:

IMPORTANT! Do not immerse product in water.

- Always test your cleaning solution on an inconspicuous area before applying to the entire surface.
- Use a soft, dampened sponge or cloth to wipe surfaces clean. Remove the cleaner quickly after applying. Rinse and dry any overspray that lands on nearby surfaces.
- Do not allow cleaners to soak on surfaces.
- Never use an abrasive material such as a brush or scouring pad to clean surfaces.

Care and Cleaning (cont.)

For detailed cleaning information and products to consider, visit kohler.com/clean. To order Care & Cleaning information, call 1-800-456-4537.



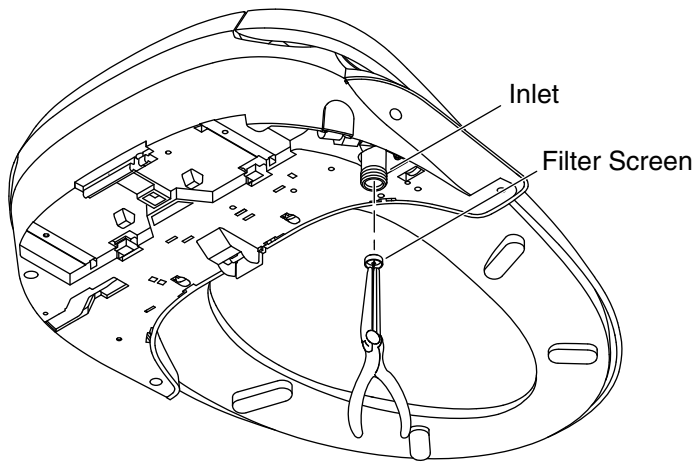
Cleaning the Wand

NOTE: The spray wand can only be extended for cleaning when the seat is not activated or occupied.

- Raise the lid and seat.
- Press the "FRONT" icon on the panel to extend the wand forward for cleaning.
- Clean the spray wand with a soft-bristled brush and hot water.
- Press the "FRONT" icon again to retract the wand.

Automatic UV Disinfection (If Equipped)

- An automatic 45-minute UV disinfecting cycle activates every 24 hours.
- Lifting the seat lid will end a UV cycle that is in process.



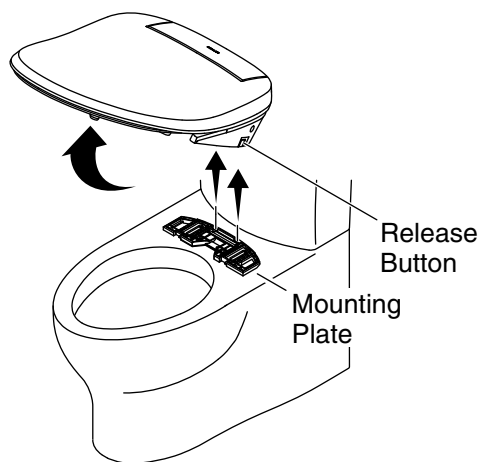
Cleaning the Screen

NOTE: Clean the filter screen every 6 months or when there is a reduction in the maximum water flow from the spray wand.

- Turn off the water at the supply stop.
- Press the release button to disengage the seat from the mounting bracket. Refer to the "Removing the Seat" Section.
- Slide the seat forward to allow access to the hose inlet.
- Disconnect the water supply hose from the seat connection.
- Using long-nosed pliers, carefully remove the filter screen from the inlet.
- Clean the filter screen with a soft-bristled brush.
- Reinstall the filter screen.

CAUTION: Risk of product damage. Do not cross-thread the hose connection to the inlet.

- Reconnect the water supply hose to the inlet, one-quarter turn past hand tight.
- Reinstall the seat.
- Turn on the water supply.
- Check all connections for leaks, and make any adjustments as needed.



Removing the Seat

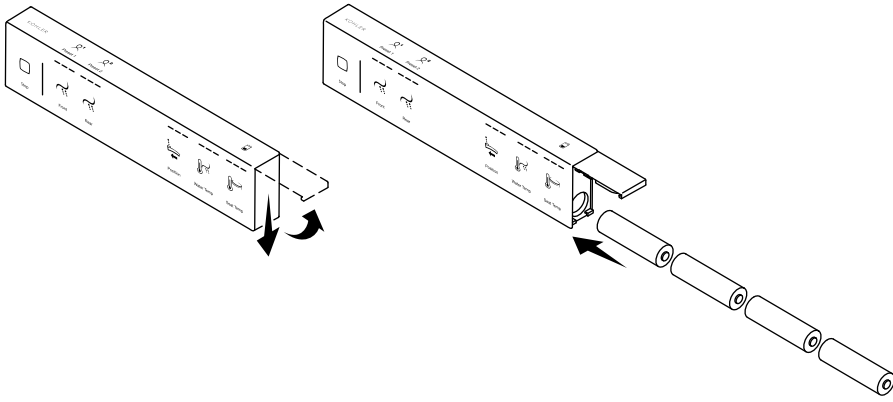
For Cleaning

IMPORTANT! When removing the seat for cleaning, take care to avoid exerting any force on the hose connections.

- Press and hold the release button.
- Tilt the seat up and lift to remove. Avoid putting pressure on the hoses.
- Clean the area as needed.
- To reinstall, engage the rear edge of the seat with the lip on the mounting bracket. Then tilt the seat down to lock into place.

For Servicing

- Turn off the water at the supply stop.
- Flush the toilet to relieve any pressure from the supply hose.
- Unplug the power cord from the electrical outlet.
- Disconnect the water supply hose from the T-valve.
- Press and hold the release button.
- Tilt the seat up and lift to remove.
- When servicing is complete, reinstall the seat and reconnect all components.



Servicing the Batteries

- Remove the remote control from the remote dock.
- Open the door to the battery compartment.
- Remove the batteries.
- Install the replacement batteries, oriented as shown.
- Close the door to the battery compartment.
- Reinstall the remote control to the remote dock.

Troubleshooting

This troubleshooting guide is for general aid only. A Kohler Co. Authorized Service Representative (ASR) or qualified electrician should correct any electrical problems.

For warranty service, contact the Customer Care Center using the numbers located on the back page of this manual.

Cleansing Features

Symptoms	Probable Causes	Recommended Action
1. The seat features are not working.	A. A power failure has occurred.	A. Wait until power is restored.
	B. The power cord is unplugged.	B. Plug the power cord into a GFCI or RCD electrical outlet.

Troubleshooting (cont.)		
Cleansing Features		
Symptoms	Probable Causes	Recommended Action
	C. The Ground-Fault Circuit-Interrupter (GFCI) or Residual Current Device (RCD) is tripped.	C. Reset the GFCI or RCD.
	D. The user is not detected by the seat sensor.	D1. Small children may be too light to be detected by the sensor.
		D2. Shift your position on the seat. The sensor is located on the front of the seat.
2. The seat is loose.	A. The mounting plate fasteners are loose.	A. Tighten the fasteners. Refer to the Installation Guide.
3. Water stops flowing from the spray wand before cleansing is complete.	A. Washing automatically stops 1 minute after pressing a spray icon.	A. Press the "Front" or "Rear" icon to restart cleansing.
	B. The user shifted position and is no longer detected by the seat sensor.	B. Shift your position on the seat. The sensor is located on the front of the seat.
Remote Control Compliance		
FCC ID: N82-KOHLER030, N82-KOHLER031		
This device complies with Part 15 of the FCC Rules. Operation is subject to the following two conditions:		
1. This device may not cause harmful interference, and		
2. This device must accept any interference received, including interference that may cause undesired operation.		
Note: This product has been tested and found to comply with the limits for a Class B digital device, pursuant to Part 15 of the FCC Rules. These limits are designed to provide reasonable protection against harmful interference in a residential installation. This product generates, uses, and can radiate radio frequency energy and, if not		

Remote Control Compliance (cont.)

installed and used in accordance with the instructions, may cause harmful interference to radio communications. However, there is no guarantee that interference will not occur in a particular installation. If this product does cause harmful interference to radio or television reception, which can be determined by turning the equipment off and on, the user is encouraged to try to correct the interference by one of the following measures:

- Reorient or relocate the receiving antenna.
- Increase the separation between the equipment and receiver.
- Connect the equipment into an outlet on a circuit different from that to which the receiver is connected.
- Consult the dealer or an experienced radio/TV technician for help.

Please take attention that changes or modification not expressly approved by the party responsible for compliance could void the user's authority to operate the equipment.

RF Exposure Warning

This transmitter with its antenna complies with FCC's RF exposure limits for general population/uncontrolled exposure.

This device must not be co-located or operated in conjunction with any other antenna or transmitter. This device should be operated with a minimum distance of at least 20 cm between the antenna and a person's body.

CANADA IC: 4554A-KOHLER030, 4554A-KOHLER031

This device complies with Industry Canada licence-exempt RSS standard(s). Operation is subject to the following two conditions:

1. This device may not cause interference, and
2. This device must accept any interference, including interference that may cause undesired operation of the device.

Under Industry Canada regulations, this radio transmitter may only operate using an antenna of a type and maximum (or lesser) gain approved for the transmitter by Industry Canada. To reduce potential radio interference to other users, the antenna type and its gain should be so chosen that the equivalent isotropically radiated power (e.i.r.p.) is not more than that necessary for successful communication.

Warranty

KOHLER Intelligent Toilet and C3 Cleansing Seat Three-Year Limited Warranty

Kohler Co. warrants that its toilets with integrated cleansing functionality ("Intelligent Toilets") and electric cleansing seats will be free of defects in material and workmanship during normal residential use for three years from the date the product is installed. This warranty applies only to intelligent toilets and electric cleansing seats installed in the United States of America, Canada and Mexico ("North America").

If a defect is found in normal residential use, Kohler Co. will, at its election, repair, provide a replacement part or product, or make appropriate adjustment where Kohler Co.'s inspection discloses any such defect. Damage caused by accident, misuse, or abuse is not covered by this warranty. Improper care and cleaning will void the warranty*. Proof of purchase (original sales receipt) must be provided to Kohler Co. with all warranty claims. Kohler Co. is not responsible for labor charges, installation, or other incidental or consequential costs other than those noted above. In no event shall the liability of Kohler Co. exceed the purchase price of the intelligent toilet or electric cleansing seat.

If the intelligent toilets or electric cleansing seats are used commercially or are installed outside of North America, Kohler Co. warrants that the intelligent toilet or electric cleansing seat will be free from defects in material and workmanship for one (1) year from the date the product is installed, with all other terms of this warranty applying except duration.

Warranty (cont.)

If you believe that you have a warranty claim, contact your Home Center, Dealer, Plumbing Contractor or E-tailer. Please be sure to provide all pertinent information regarding your claim, including a complete description of the problem, the product, model number, the date the product was purchased, from whom the product was purchased and the installation date. Also include your original invoice. For other information, or to obtain the name and address of the service and repair facility nearest you, write Kohler Co., Attn: Customer Care Center, Kohler, Wisconsin 53044 USA, or by calling 1-800-4-KOHLER (1-800-456-4537) from within the USA and Canada, and 001-800-456-4537 from within Mexico, or visit www.kohler.com within the USA, www.ca.kohler.com from within Canada, or www.mx.kohler.com in Mexico.

THE FOREGOING WARRANTIES ARE IN LIEU OF ALL OTHER WARRANTIES, EXPRESS OR IMPLIED, INCLUDING BUT NOT LIMITED TO THE IMPLIED WARRANTIES OF MERCHANTABILITY AND FITNESS FOR A PARTICULAR PURPOSE. KOHLER CO. AND/OR SELLER DISCLAIM ANY LIABILITY FOR SPECIAL, INCIDENTAL OR CONSEQUENTIAL DAMAGES.

Some states/provinces do not allow limitations of how long an implied warranty lasts or the exclusion or limitation of such damages, so these limitations and exclusions may not apply to you.

This warranty gives the consumer specific legal rights. You may also have other rights that vary from state/province to state/province. This warranty is to the original consumer purchaser only, and excludes product damage due to installation error, product abuse, or product misuse, whether performed by a contractor, service company, or the consumer.

This is Kohler Co.'s exclusive written warranty.

* Never use cleaners containing abrasive cleansers, ammonia, bleach, acids, waxes, alcohol, solvents or other products not recommended for stainless steel or polypropylene plastic. This will void the warranty.

Mesures de sécurité importantes

LIRE TOUTES LES INSTRUCTIONS AVANT UTILISATION

Lors de l'utilisation de produits électriques, et en particulier en présence d'enfants, toujours observer les mesures de sécurité fondamentales, notamment:



AVERTISSEMENT: UV RG-3 émis par cette lampe. Ceci pourrait créer des lésions de la peau ou des yeux. Éviter toute exposition des yeux et de la peau à une lampe non protégée par un écran. Toujours s'assurer que la lampe est éteinte avant d'ouvrir le couvercle de protection.



ATTENTION: Risque de blessures. Le remplacement de la lampe UV peut seulement être effectué par un personnel d'entretien qualifié.

IMPORTANT! Risque d'endommagement du produit. Ne pas installer ce produit dans un emplacement exposé à un excès d'humidité et où de la condensation pourrait se former sur la surface du produit. Fournir une ventilation adéquate lors des bains afin d'éviter d'endommager les composants électroniques en raison des niveaux d'humidité.

IMPORTANT! Risque d'endommagement du produit. Des fuites d'eau pourraient se produire si l'on pousse ou tire sur le raccord d'eau.

IMPORTANT! Risque d'endommagement du produit. Ne pas appliquer de force excessive sur les baguettes de vaporisation.

IMPORTANT! Risque d'endommagement du produit. Prendre les mesures nécessaires pour maintenir les tuyaux au chaud dans les régions où l'eau pourrait geler. Toute l'eau présente dans le siège pourrait geler pendant l'entreposage en hiver. Laisser le dispositif se réchauffer à la température ambiante avant de l'installer ou de l'utiliser.

Mesures de sécurité importantes (cont.)

IMPORTANT! Risque d'endommagement du produit. Ne pas fournir d'alimentation électrique au dispositif avant d'avoir effectué le travail d'installation de la plomberie; ceci pourrait créer des problèmes de fonctionnement.

REMARQUE: Les protecteurs thermiques pourraient se déclencher pendant l'entreposage ou le transport par temps chaud, et le dispositif ne fonctionnera pas. Laisser le dispositif se refroidir à la température ambiante avant de l'installer ou de l'utiliser.



DANGER: Pour réduire le risque d'électrocution:

- Ne pas placer et ne pas entreposer ce produit dans un endroit où il pourrait tomber ou d'où il pourrait être tiré et tomber dans une baignoire ou un lavabo.
- Ne pas placer et ne pas laisser tomber cet appareil dans de l'eau ou un autre liquide.
- Ne pas essayer de récupérer un produit qui est tombé dans de l'eau. Débrancher l'appareil immédiatement.



AVERTISSEMENT: Pour réduire le risque de brûlures, d'électrocution, d'incendie ou de blessures personnelles:

- Il est nécessaire de superviser de près lorsque ce produit est utilisé par de jeunes enfants, des personnes âgées ou invalides, ou lorsqu'il se trouve dans leur proximité. Ajuster la température du siège pour les personnes âgées, les personnes frappées d'incapacité, ou les personnes dont la peau est sensible.
- Utiliser ce produit uniquement pour l'usage pour lequel il est destiné, tel que décrit dans ce manuel. Ne pas utiliser de dispositifs d'attache non recommandés par Kohler Co.
- Ne jamais faire fonctionner ce produit si son cordon ou sa prise sont endommagés, s'il ne fonctionne pas correctement, s'il est tombé, s'il est endommagé, ou s'il est tombé dans de l'eau. Retourner le produit pour le faire examiner et réparer.
- Tenir le cordon à distance de surfaces chauffées.
- Ne jamais bloquer les ouvertures d'air du produit et ne jamais le placer sur une surface molle, comme un lit ou un divan, à un emplacement où les ouvertures d'air pourraient être bloquées. S'assurer de l'absence de peluches, de cheveux ou d'autres éléments similaires sur les ouvertures d'air.

Mesures de sécurité importantes (cont.)

- Ne jamais utiliser ce dispositif lorsque l'on dort ou si l'on se sent somnolent.
- Ne jamais faire tomber ou insérer un objet quelconque dans une ouverture ou un tuyau.
- Ne pas utiliser ce dispositif à l'extérieur et ne pas le faire fonctionner en présence de produits aérosols ou si l'on administre de l'oxygène.
- Connecter ce produit à une prise mise à la terre de manière adéquate uniquement. Voir la section "Instructions de mise à la terre".
- Ce produit est conforme aux conditions applicables de l'US 21 CFR, Chapitre 1, Sous-chapitre J, Hygiène radiologique.

CONSERVER CES INSTRUCTIONS

Conformité de la télécommande

Le présent appareil est conforme aux CNR d'Industrie Canada applicables aux appareils radioexempts de licence. L'exploitation est autorisée aux deux conditions suivantes :

1. l'appareil ne doit pas produire de brouillage, et
2. l'utilisateur de l'appareil doit accepter tout brouillage radioélectrique subi, même si le brouillage est susceptible d'en compromettre le fonctionnement.

Conformément à la réglementation d'Industrie Canada, le présent émetteur radio peut fonctionner avec une antenne d'un type et d'un gain maximal (ou inférieur) approuvé pour l'émetteur par Industrie Canada. Dans le but de réduire les risques de brouillage radioélectrique à l'intention des autres utilisateurs, il faut choisir le type d'antenne et son gain de sorte que la puissance isotrope rayonnée équivalente (p.i.r.e.) ne dépasse pas l'intensité nécessaire à l'établissement d'une communication satisfaisante.

USA/Canada: 1-800-4KOHLER

México: 001-800-456-4537

kohler.com

THE BOLD LOOK
OF **KOHLER**®

©2018 Kohler Co.

1354689-5-A