

# Homeowners Guide

## Toilet with Cleansing Seat

K-5401-PA

**M** product numbers are for Mexico (i.e. K-12345**M**)  
Los números de productos seguidos de **M** corresponden a México  
(Ej. K-12345**M**)  
Français, page "Français-1"  
Español, página "Español-1"

THE BOLD LOOK  
OF **KOHLER**®

1325704-5-A

# Important Information

## READ ALL INSTRUCTIONS BEFORE USING

When using electrical products, especially when children are present, basic safety precautions should always be followed, including the following:



**DANGER: Risk of electric shock.** Connect only to a circuit protected by a Ground-Fault Circuit-Interrupter (GFCI)\*.



**WARNING: Risk of personal injury.** UV light emitted from this light can cause injury to skin or eyes. Avoid exposure to unshielded lamp.



**WARNING: Risk of personal injury.** Replacement of the UV lamp must only be performed by qualified service personnel.



**CAUTION: Risk of personal injury.** Do not remove the UV lamp protective cover. Eye damage may result from viewing the UV light directly.

For Service Personnel:



**WARNING: Risk of electric shock.** Disconnect power before servicing.



**WARNING: Risk of personal injury.** The UV lamp cover has an interlock designed to reduce the risk of excessive ultraviolet radiation. Do not bypass the interlock. Reinstall the interlock after servicing.

\*Outside North America, this device may be known as a Residual Current Device (RCD).



**WARNING: To reduce the risk of burns, electrocution, fire, or injury to persons:**

- Close supervision is necessary when this product is used by or near children, the elderly, or invalids. Adjust the temperature of the seat for the elderly, those who are incapacitated, or persons with sensitive skin.
- Use this product only for its intended use as described in this manual. Do not use attachments not recommended by Kohler Co.
- Never operate this product if it has a damaged cord or plug, if it is not working properly, if it has been dropped, damaged, or dropped into water. Return the product for examination and repair.
- Keep the cord away from heated surfaces.
- Never block the air openings of the product. Keep the air openings free of lint, hair, and the like.
- Never use while sleeping or drowsy.
- Never drop or insert any object into any opening or hose.
- Do not use outdoors or operate where aerosol spray products are being used or where oxygen is being administered.
- Connect this product to a properly grounded outlet only. See the "Grounding instructions" section.
- This product conforms to applicable provisions of US 21 CFR, Chapter 1, Subchapter J, Radiological Health.

## SAVE THESE INSTRUCTIONS

### Grounding Instructions

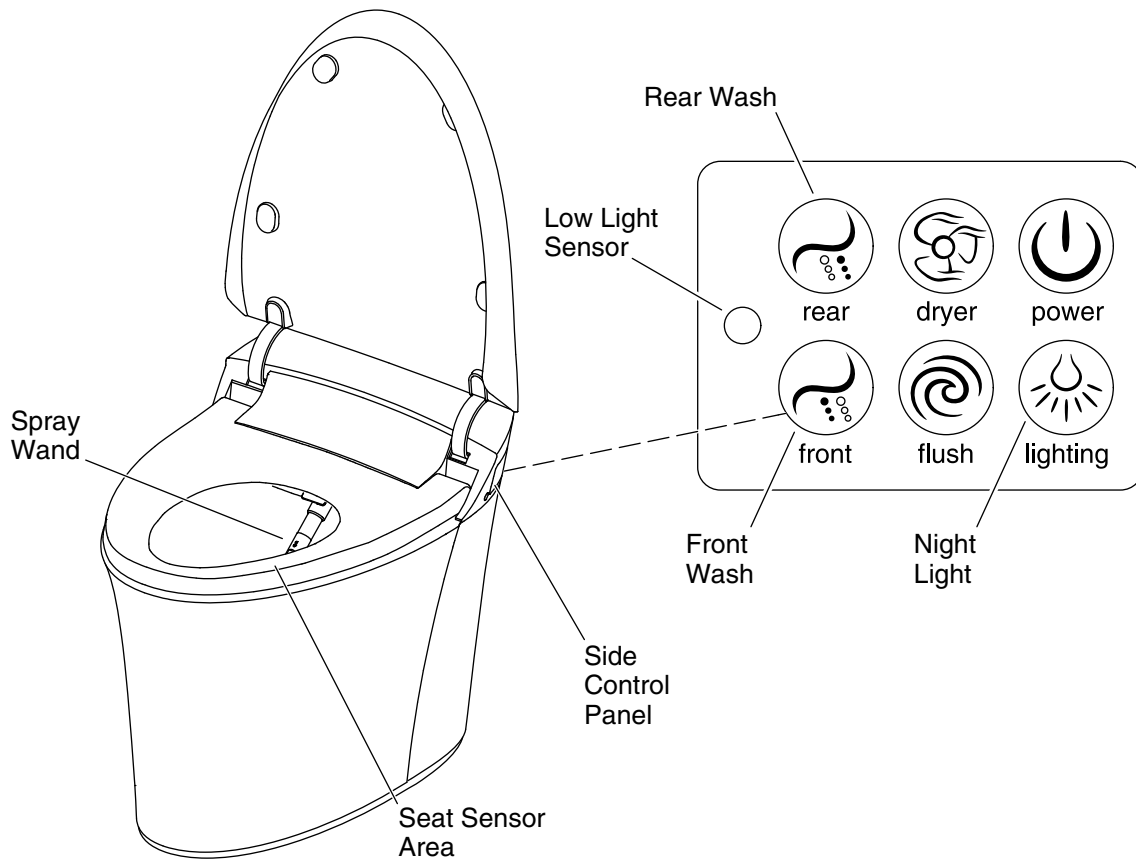
### Important Information (cont.)

- This product should be grounded. In the event of an electrical short circuit, grounding reduces the risk of electric shock by providing an escape wire for the electric current. This product is equipped with a cord having a grounding wire with a grounding plug. The plug must be plugged into an outlet that is properly installed and grounded.



**DANGER: Risk of electric shock.** Improper use of the grounding plug can result in a risk of electric shock.

- If repair or replacement of the cord or plug is necessary, do not connect the grounding wire to either flat blade terminal. The wire with insulation having an outer surface that is green with or without yellow stripes is the grounding wire.
- Check with a qualified electrician or service personnel if the grounding instructions are not completely understood, or if in doubt whether the product is properly grounded.
- Do not use an extension cord with this product.



## Manual Operation

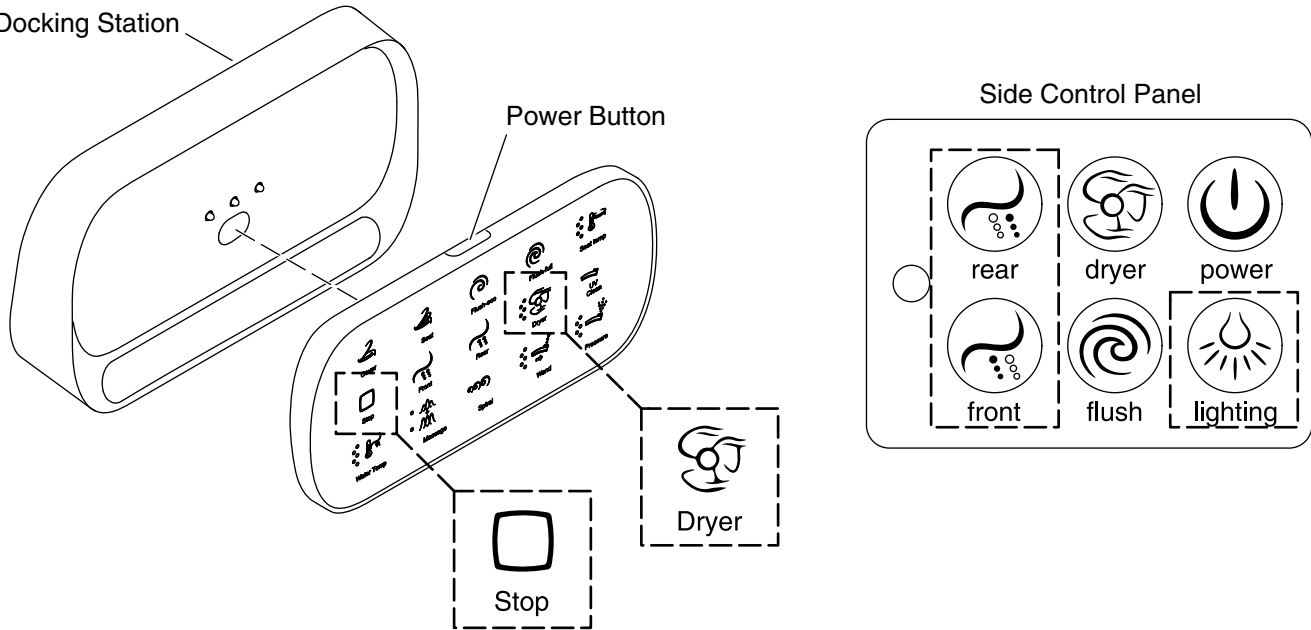
**NOTE:** When the cleansing wash features are activated from the side control panel, they will default to the middle temperature, pressure, and wand position settings.

- **"rear"** - Press the icon to activate rear wash. Press again to stop rear wash.
- **"dryer"** - Press the icon to activate the dryer. Press again to stop the dryer.
- **"power"** - Press the icon to turn the power on. Press again to turn the power off.
- **"front"** - Press the icon to activate front wash. Press again to stop front wash.
- **"flush"** - Press the icon to flush the toilet.
- **"lighting"** - Press the icon to turn the night light off. Press again to turn on the night light on.
- **Low Light Sensor** - Senses low light levels and turns the night light on.

Docking Station

Power Button

Side Control Panel



## Remote Control – Setup

**NOTE:** The remote control must be charged to operate. The “**Stop**” icon will blink when the remote needs to be charged.

### Charging the Remote

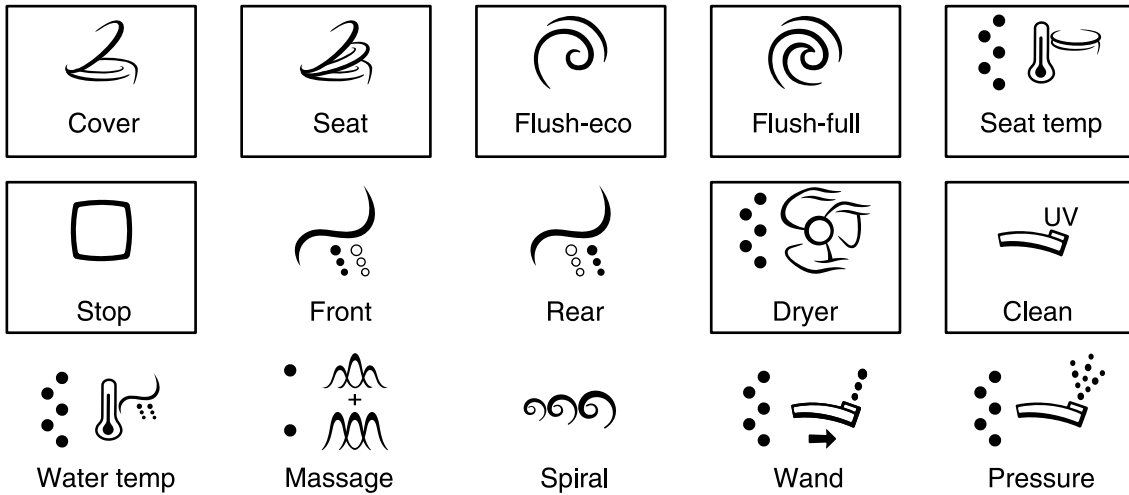
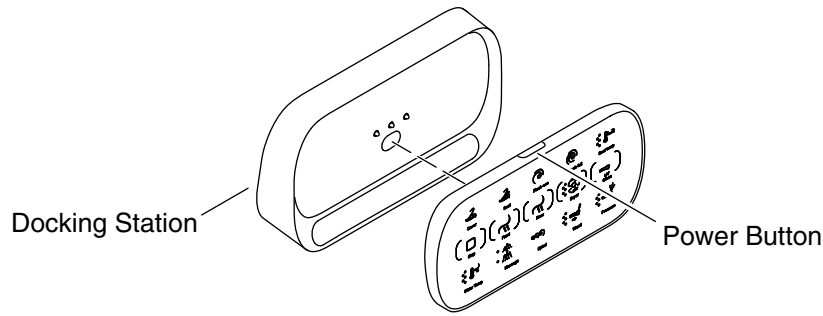
- Verify that the docking station has batteries installed. Refer to the “Replacing the Batteries” section.
- Place the remote control on docking station.
- The remote is fully charged when the “**Stop**” icon stops blinking.

### Pairing to the Toilet

**IMPORTANT!** The remote control cannot be paired to the toilet while the toilet is occupied.

**NOTE:** The icons on the bottom row of the remote control will flash when the remote is not paired or is out of range of the toilet.

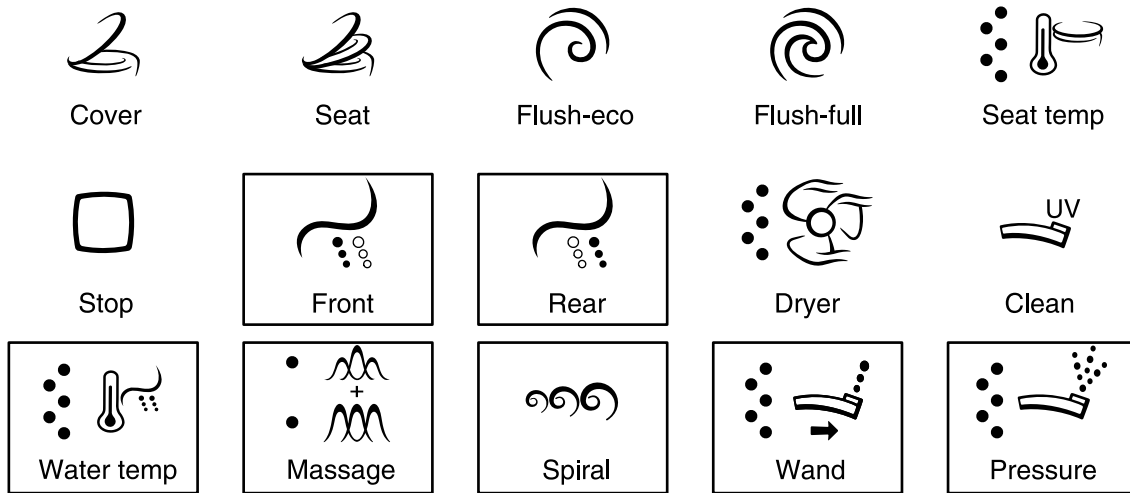
- Press the power button to turn on the remote control.
- Move the remote control within close proximity to the toilet. The bottom row of icons should be flashing.
- Press and hold the “**lighting**” icon on the side control panel. Release the icon after the night light blinks three times.
- Press and hold the “**Dryer**” icon on the remote control.
- While holding the “**Dryer**” icon on the remote control, press and hold the “**rear**” and “**front**” icons simultaneously on the side control.
- When pairing is successful, the bottom icons will stop flashing.



## Remote Control – General Features

**IMPORTANT!** To activate features using the remote control, the remote must be paired with the toilet. Refer to the "Remote Control – Setup" section.

- **Power** - Press the power button to turn the remote control on or off.
- **Seat Cover** - With the seat unoccupied, press this "Cover" icon to open or close the cover.
- **Seat** - With the seat unoccupied, press the "Seat" icon to open or close the seat.
- **Eco Flush** - Press the "Flush-eco" icon to flush the toilet with 0.8 gpf (3 lpf).
- **Full Flush** - Press the "Flush-full" icon to flush the toilet with 1.6 gpf (6 lpf).
- **Heated Seat Temperature** - While seated, press the "Seat temp" icon, then press again to increase or decrease the temperature. The dots to the left of the icon indicate the temperature setting. There are five settings.
- **Stop** - Press the "Stop" icon to stop the cleansing wash, dryer, deodorizer, and UV sterilization. Press and hold to turn off the remote control.
- **Dryer** - While seated, press the "Dryer" icon to activate air flow. Press again to increase or decrease air flow.
- **UV Disinfection** - With the seat unoccupied, press the "Clean" icon to initiate wand disinfection. The feature is active when the icon is blinking.

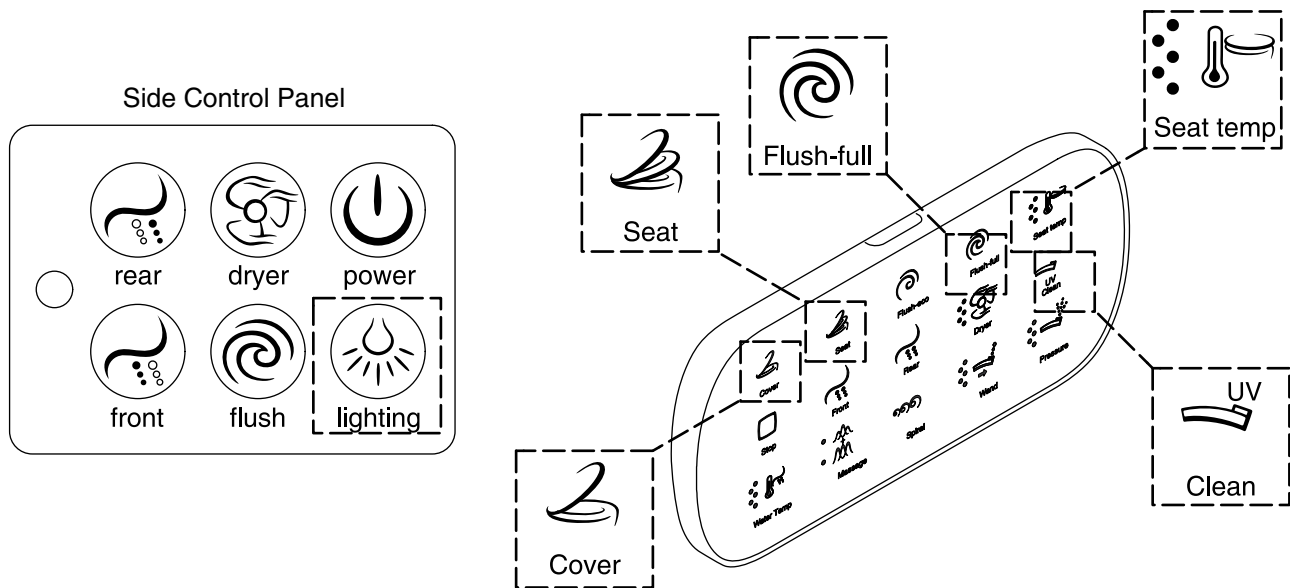


## Remote Control – Cleansing Features

**IMPORTANT!** To activate features using the remote control, the remote must be paired with the toilet. Refer to the "Remote Control – Setup" section.

**NOTE:** Water temperature, water pressure, wand position, and massage action are adjustable while the front or rear wash is in use. The dots to the left of the icons indicate the current setting.

- **Front Wash** - Press the "Front" icon to activate water spray from the front of the wand. Washing will stop automatically after 5 minutes or can be stopped by pressing the "Stop" icon.
- **Rear Wash** - Press the "Rear" icon to activate water spray from the back of the wand. Washing will stop automatically after 5 minutes or can be stopped by pressing the "Stop" icon.
- **Water Temperature** - Press the "Water temp" icon, then press again to increase or decrease the temperature through five settings.
- **Massage** - Press the "Massage" icon to activate oscillating action. Press again to switch to pulsating action. Press a third time for simultaneous oscillating and pulsating actions. Press a fourth time to stop the action.
- **Spiral** - Press the "Spiral" icon to activate spiral action. This feature is only available while the rear wash is in use. Press the icon again to stop the action.
- **Wand Position** - Press the "Wand" icon, then press again to adjust the wand position through five settings.
- **Water Pressure** - Press the "Pressure" icon, then press again to increase or decrease water pressure through five settings.



## Enable/Disable Automatic Features

**NOTE:** Automatic features come enabled from the factory.

### Cover Open/Close

- When enabled, the seat cover automatically opens when the toilet is approached. The seat and seat cover will automatically close 3 minutes after the toilet has been used.
- Press and hold the "lighting" icon on the side control panel until the night light blinks three times.
- Press the "Cover" icon on the remote control. The night light blinks once quickly when the sensor is set to short distance, twice quickly for mid-distance, and three times quickly for long distance.
- The night light blinks slowly when the feature is disabled.

### Deodorizer

- When enabled, the deodorizer automatically activates while the toilet is in use.
- Press and hold the "lighting" icon on the side control panel until the night light blinks three times.
- Press the "Seat" icon on the remote control.
- The night light blinks once quickly when the feature is enabled, or blinks slowly when disabled.

### Automatic Flush

- When enabled, the toilet will automatically flush 60 seconds after the user stands up, lowers the seat, or leaves the area.
- Press and hold the "lighting" icon on the side control panel until the night light blinks three times.
- Press the "Flush-full" icon on the remote control.
- The night light blinks once quickly when the feature is enabled, or blinks slowly when disabled.

### Energy Save Mode

- When enabled, the toilet conserves energy by reducing the heated seat temperature when the toilet is not in use.
- Press and hold the "lighting" icon on the side control panel until the night light blinks three times.



### Enable/Disable Automatic Features (cont.)

- Press the "Seat temp" icon on the remote control.
- The night light blinks once quickly when the feature is enabled, or blinks slowly when disabled.

### UV Disinfection

- When enabled, ultra violet rays and water sterilize the spray wand daily. This feature only operates when the seat is closed.
- Press and hold the "lighting" icon on the side control panel until the night light blinks three times.
- Press the "UV" icon on the remote control.
- The night light blinks once quickly when the feature is enabled, or blinks slowly when disabled.

## Care and Cleaning



**WARNING: Risk of property or product damage.** Do not use in-tank cleaners in your toilet. Products containing chlorine (calcium hypochlorite) can seriously damage fittings in the tank. This damage can cause leakage and property damage.

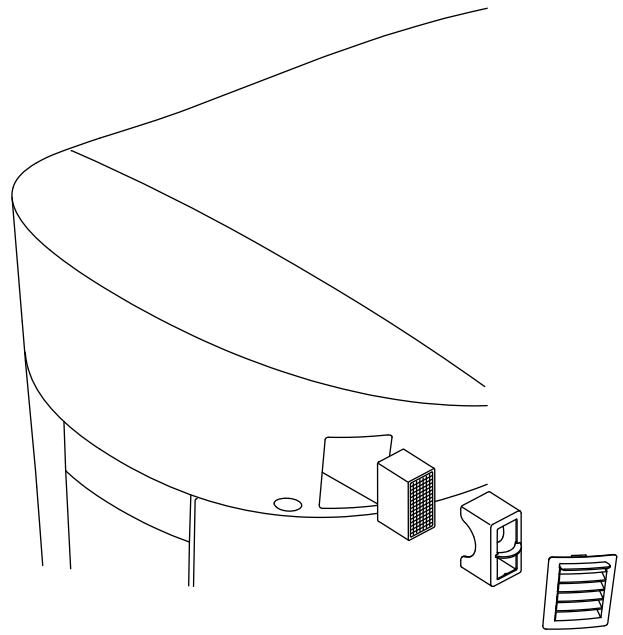
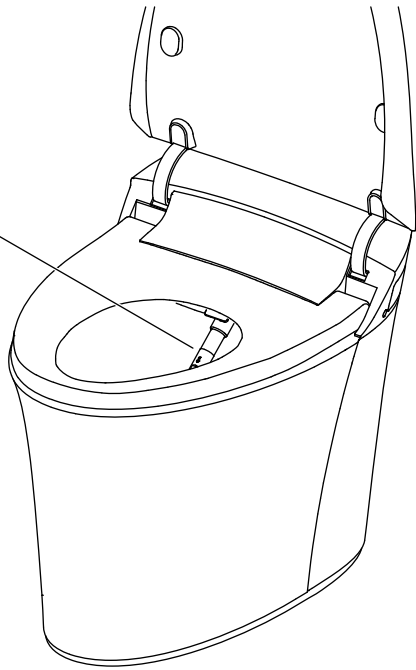
Kohler Co. shall not be responsible or liable for any tank fitting damage caused by the use of cleaners containing chlorine (calcium hypochlorite).

For best results, keep the following in mind when caring for your KOHLER product:

- Always test your cleaning solution on an inconspicuous area before applying to the entire surface.
- Wipe surfaces clean and rinse completely with water immediately after applying cleaner. Rinse and dry any overspray that lands on nearby surfaces.
- Do not allow cleaners to soak on surfaces.
- Use a soft, dampened sponge or cloth. Never use an abrasive material such as a brush or scouring pad to clean surfaces.
- **For Artist Edition Toilets:** Treat your decorative product just as you would treat your fine china. DO NOT use bristle brushes or abrasive-backed sponges. They will scratch decorative surfaces. Use only warm water to clean. Dry with a cotton cloth or soft sponge.

For detailed cleaning information and products to consider, visit [www.kohler.com/clean](http://www.kohler.com/clean). To order Care & Cleaning information, call 1-800-456-4537.

Spray  
Wand



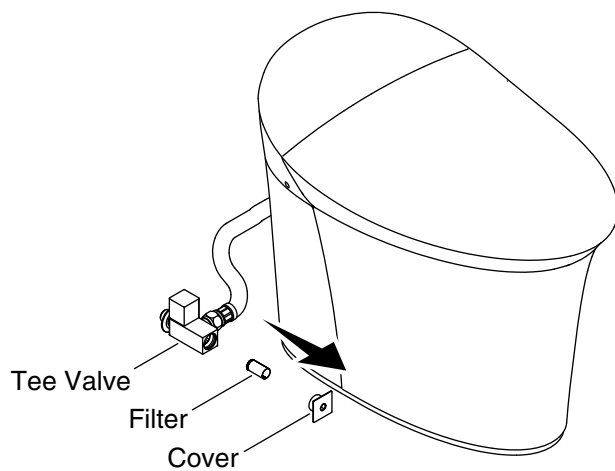
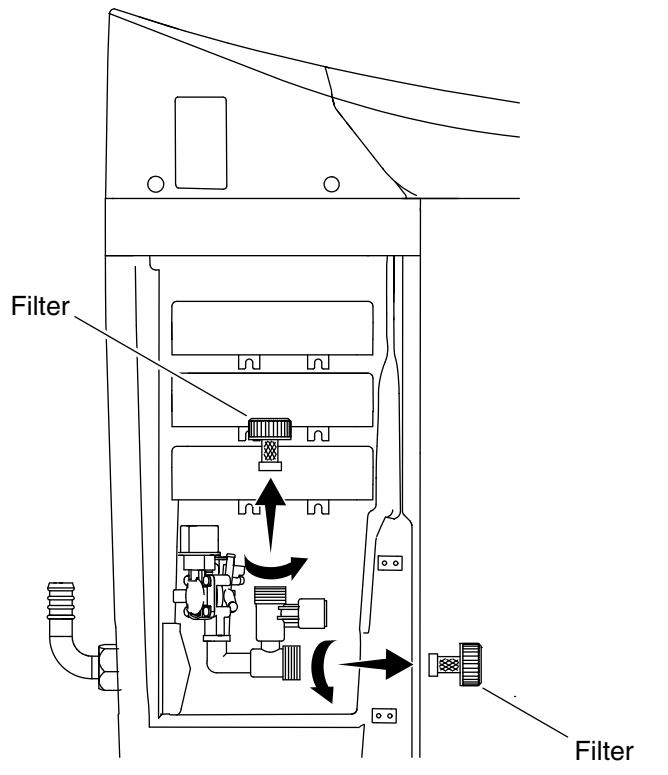
## Manual Clean Settings

### Cleaning the Spray Wand

- On the remote control, press and hold the "Wand" icon to extend the wand forward.
- Clean the spray wand with a soft-bristled brush and hot water.
- Press and hold the "Wand" or "Stop" icon to retract the wand.

### Cleaning or Replacing the Deodorizer

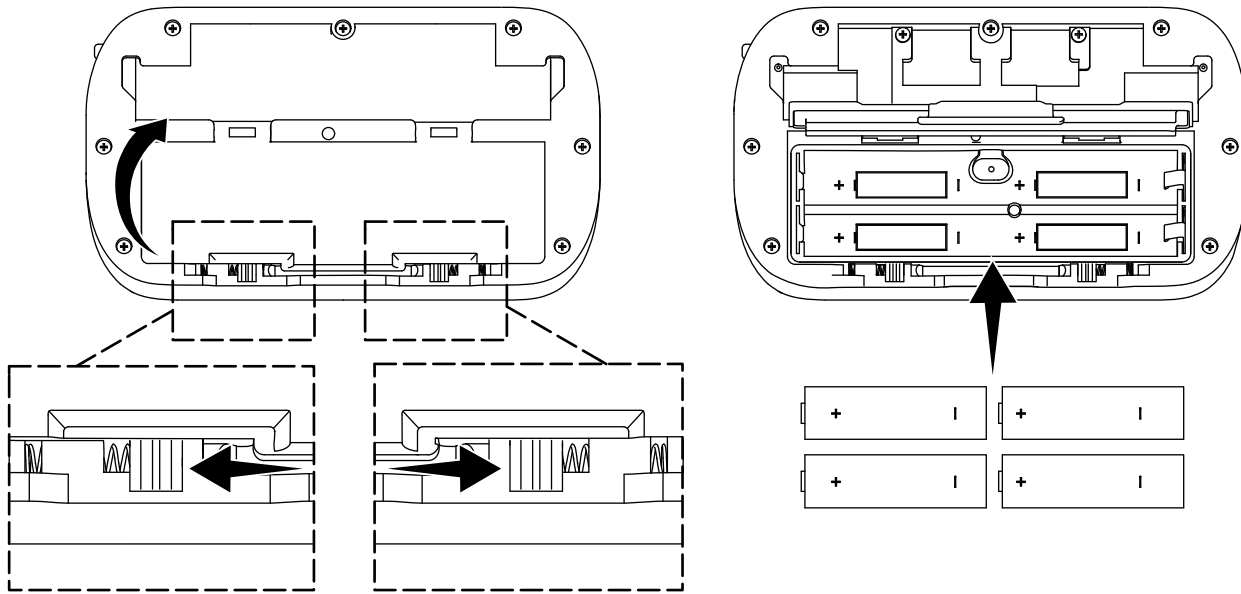
- Remove the filter cover.
- Remove the filter from the housing and inspect it for damage.
- If the filter is damaged, replace it.
- If the filter is clogged, remove all debris.
- Install the filter.
- Reinstall the cover.



## Servicing the Toilet

- Disconnect the power to the toilet
- Turn off the water by closing the water supply stop.
- Remove the left side panel.
- Remove the filters and inspect them for damage.
- If the filters are damaged, replace them.
- If the filters are clogged, remove all debris.
- Install the filters.
- Reattach the left side panel.
- Open the supply stop.
- Reconnect the power to the toilet.

### Back of Docking Station



## Replacing the Charging Batteries

**NOTE:** The red light on the docking station will blink when the batteries are low. The "Stop" icon on the remote control will blink when it has a low charge and should be returned to the docking station.

- If the remote control is secured to the docking station, remove it and set aside.
- Remove the docking station from the wall by carefully lifting up and out.
- Open the back compartment on the docking station by pushing both tabs outward at the same time.
- Install four AA batteries, oriented as shown in the battery compartment.
- Reinstall the cover.
- Reinstall the docking station on the wall.

## Troubleshooting Information

**NOTE:** For service parts information, visit the product page at [kohler.com/serviceparts](http://kohler.com/serviceparts).

### Small Children

- The automatic flush and cleansing features are activated by a sensor located under the seat. Small children may not be tall enough to be detected by the sensor.

### General

Symptoms	Probable Causes	Recommended Action
1. The toilet has no power.	A. The power is not turned on.	A. Press the "power" icon on the side control panel.
	B. The power is not connected.	B. Check the power connection inside the junction box.
2. The toilet has power but does not flush.	A. No water being supplied to the toilet.	A. Fully open the water supply stop.
3. No water sprays from the wand or it has a weak stream when activated.	A. The water supply stop is closed or only partially open.	A. Fully open the water supply stop.

## Troubleshooting Information (cont.)

### General

Symptoms	Probable Causes	Recommended Action
	B. The inlet hose from the water supply stop to the toilet is kinked or looped too tight.	B. Remove the kink in the hose or make the loop wider.
	C. The sensor does not detect the user.	C. Small children may not be detected. Adjust the sitting position. The sensor may have difficulty with fabric or other objects. The sensor is designed to sense skin.
	D. The filters are blocked or damaged.	D. Service the filters. Refer to the "Servicing the Filters" section.
4. The heated seat is not working.	A. The heated seat is not enabled.	A. Activate the heated seat. Refer to the "Enable/Disable Automatic Features" section.
	B. The temperature setting is too low.	B. Adjust the heated seat temperature using the remote control.
5. Water stops flowing from the spray wand before cleansing is complete.	A. Washing automatically stops 5 minutes after pressing a spray icon.	A. Press the "Front" or "Rear" icon to restart cleansing.
6. The deodorizer is not working.	A. The deodorizer is not activated.	A. Activate the deodorizer using the remote control.
7. The UV disinfection feature is not working.	A. The UV disinfection feature is not activated.	A. Activate the UV disinfection feature. Refer to the "Enable/Disable Automatic Features" section.
8. The toilet does not flush automatically.	A. The automatic flush feature is not enabled.	A. Activate automatic flush. Refer to the "Enable/Disable Automatic Features" section.
	B. The sensor does not detect the user.	B. If this issue occurs repeatedly, call the Customer Care Center using the information on the back of this manual.
9. The night light does not turn on in low light conditions.	A. The night light is not enabled.	A. Press the "lighting" icon on the side control panel.
	B. The low light sensor is not working.	B1. Clean the light sensor on the side control panel. B2. Call the Customer Care Center using the information on the back of this manual.

### Remote Control

Symptoms	Probable Causes	Recommended Action
1. The remote control is not turning on.	A. The batteries are not properly installed.	A. Reinstall the batteries. Refer to the "Replacing the Batteries" section.
	B. The batteries are drained.	B. Replace the batteries. Refer to the "Replacing the Batteries" section.
2. The remote control is not connecting with the toilet.	A. The remote is too far from the toilet to receive a signal.	A. Move the remote closer to the toilet to regain a connection.
	B. The remote is not paired with the toilet.	B. Pair the remote to the toilet. Refer to the "Remote Control – Setup" section.

## Remote Control Compliance

### **FCC ID: N82-KOHLER015, N82-KOHLER016**

**IFT:** Certification Number RCPKO1215-2233 and RCPKO1215-2234.

This device complies with Part 15 of the FCC Rules. Operation is subject to the following two conditions:

1. This device may not cause harmful interference, and
2. This device must accept any interference received, including interference that may cause undesired operation.

Changes or modifications not expressly approved by the party responsible for compliance could void the user's authority to operate the equipment.

This equipment has been tested and found to comply with the limits for a Class B digital device, pursuant to Part 15 of the FCC Rules. These limits are designed to provide reasonable protection against harmful interference in a residential installation. This equipment generates, uses, and can radiate radio frequency energy and, if not installed and used in accordance with the instructions, may cause harmful interference to radio communications. However, there is no guarantee that interference will not occur in a particular installation. If this equipment does cause harmful interference to radio or television reception, which can be determined by turning the equipment off and on, the user is encouraged to try to correct the interference by one of the following measures:

- Reorient or relocate the receiving antenna.
- Increase the separation between the equipment and receiver.
- Connect the equipment into an outlet on a circuit different from that to which the receiver is connected.
- Consult the dealer or an experienced radio/TV technician for help.

### **RF Exposure Warning**

This transmitter with its antenna complies with FCC's RF exposure limits for general population/uncontrolled exposure.

This device must not be co-located or operated in conjunction with any other antenna or transmitter.

This device should be operated with a minimum distance of at least 20 cm between the antenna and a person's body.

### **CANADA IC: 4554A-KOHLER015, 4554A-KOHLER016**

This device complies with Industry Canada licence-exempt RSS standard(s).

Operation is subject to the following two conditions:

1. This device may not cause interference, and
2. This device must accept any interference, including interference that may cause undesired operation of the device.

This transmitter with its antenna complies with Industry Canada RF Exposure Limits for General Population/Uncontrolled Exposure.

This Class B digital apparatus complies with Canadian ICES-003.

## Warranty

### **KOHLER Intelligent Toilet and C3 Cleansing Seat Three-Year Limited Warranty**

Kohler Co. warrants that its toilets with integrated cleansing functionality ("Intelligent Toilets") and electric cleansing seats will be free of defects in material and workmanship during normal residential use for three years from the date the product is installed. This warranty applies only to intelligent toilets and electric cleansing seats installed in the United States of America, Canada and Mexico ("North America").

If a defect is found in normal residential use, Kohler Co. will, at its election, repair, provide a replacement

## **Warranty (cont.)**

part or product, or make appropriate adjustment where Kohler Co.'s inspection discloses any such defect. Damage caused by accident, misuse, or abuse is not covered by this warranty. Improper care and cleaning will void the warranty\*. Proof of purchase (original sales receipt) must be provided to Kohler Co. with all warranty claims. Kohler Co. is not responsible for labor charges, installation, or other incidental or consequential costs other than those noted above. In no event shall the liability of Kohler Co. exceed the purchase price of the intelligent toilet or electric cleansing seat.

If the intelligent toilets or electric cleansing seats are used commercially or are installed outside of North America, Kohler Co. warrants that the intelligent toilet or electric cleansing seat will be free from defects in material and workmanship for one (1) year from the date the product is installed, with all other terms of this warranty applying except duration.

If you believe that you have a warranty claim, contact your Home Center, Dealer, Plumbing Contractor or E-tailer. Please be sure to provide all pertinent information regarding your claim, including a complete description of the problem, the product, model number, the date the product was purchased, from whom the product was purchased and the installation date. Also include your original invoice. For other information, or to obtain the name and address of the service and repair facility nearest you, write Kohler Co., Attn: Customer Care Center, Kohler, Wisconsin 53044 USA, or by calling 1-800-4-KOHLER (1-800-456-4537) from within the USA and Canada, and 001-800-456-4537 from within Mexico, or visit [www.kohler.com](http://www.kohler.com) within the USA, [www.ca.kohler.com](http://www.ca.kohler.com) from within Canada, or [www.mx.kohler.com](http://www.mx.kohler.com) in Mexico.

**THE FOREGOING WARRANTIES ARE IN LIEU OF ALL OTHER WARRANTIES, EXPRESS OR IMPLIED, INCLUDING BUT NOT LIMITED TO THE IMPLIED WARRANTIES OF MERCHANTABILITY AND FITNESS FOR A PARTICULAR PURPOSE. KOHLER CO. AND/OR SELLER DISCLAIM ANY LIABILITY FOR SPECIAL, INCIDENTAL OR CONSEQUENTIAL DAMAGES.**

Some states/provinces do not allow limitations of how long an implied warranty lasts or the exclusion or limitation of such damages, so these limitations and exclusions may not apply to you. This warranty gives the consumer specific legal rights. You may also have other rights that vary from state/province to state/province. This warranty is to the original consumer purchaser only, and excludes product damage due to installation error, product abuse, or product misuse, whether performed by a contractor, service company, or the consumer.

**This is Kohler Co.'s exclusive written warranty.**

\* Never use cleaners containing abrasive cleansers, ammonia, bleach, acids, waxes, alcohol, solvents or other products not recommended for stainless steel or polypropylene plastic. This will void the warranty.

# Guide du propriétaire

## Toilette avec siège de nettoyage

### MESURES DE SÉCURITÉ IMPORTANTES

Lors de l'utilisation de produits électriques, et en particulier en présence d'enfants, toujours observer les mesures de sécurité fondamentales, notamment:

#### LIRE TOUTES LES INSTRUCTIONS AVANT UTILISATION



**DANGER: Risque de choc électrique.** Raccorder uniquement à un circuit protégé par un disjoncteur de fuite de terre (GFCI)\*.



**AVERTISSEMENT: Risque de blessures.** La lumière ultraviolette émise par cette lampe peut créer des lésions oculaires ou de la peau. Éviter toute exposition à une lampe non blindée.



**AVERTISSEMENT: Risque de blessures.** Le remplacement de la lampe UV peut seulement être effectué par un personnel d'entretien qualifié.



**ATTENTION: Risque de blessures.** Ne pas retirer le couvercle de protection de la lampe UV. Les yeux pourraient subir des lésions lorsque l'on regarde directement dans la lumière UV.

Pour le personnel préposé à l'entretien:



**AVERTISSEMENT: Risque de choc électrique.** Déconnecter l'alimentation électrique avant d'effectuer un entretien.



**AVERTISSEMENT: Risque de blessures.** Ce couvercle de lampe UV est doté d'un système de verrouillage conçu pour réduire le risque d'un rayonnement ultraviolet excessif. Ne pas annuler le verrouillage. Réinstaller le verrouillage après l'entretien.

\* Hors de l'Amérique du Nord, ce dispositif peut être connu sous le nom de dispositif à courant résiduel (RCD).



**AVERTISSEMENT: Pour réduire le risque de brûlures, d'électrocution, d'incendie ou de blessures personnelles:**

- Il est nécessaire de superviser de près lorsque ce produit est utilisé par de jeunes enfants, des personnes âgées ou invalides, ou lorsqu'il se trouve dans leur proximité. Ajuster la température du siège pour les personnes âgées, les personnes frappées d'incapacité, ou les personnes dont la peau est sensible.
- Utiliser ce produit uniquement pour l'usage pour lequel il est destiné, tel que décrit dans ce manuel. Ne pas utiliser de dispositifs d'attache non recommandés par Kohler Co.
- Ne jamais faire fonctionner ce produit si son cordon ou sa prise sont endommagés, s'il ne fonctionne pas correctement, s'il est tombé ou s'il est endommagé, ou s'il est tombé dans de l'eau. Retourner le produit pour le faire examiner et réparer.
- Tenir le cordon à distance de surfaces chauffées.
- Ne jamais bloquer les ouvertures d'air du produit. S'assurer de l'absence de peluches, de cheveux ou d'autres éléments similaires sur les ouvertures d'air.
- Ne jamais utiliser ce dispositif lorsque l'on dort ou si l'on se sent somnolent.
- Ne jamais faire tomber ou insérer un objet quelconque dans une ouverture ou un tuyau.



## MESURES DE SÉCURITÉ IMPORTANTES (cont.)

- Ne pas utiliser ce dispositif à l'extérieur et ne pas le faire fonctionner en présence de produits aérosols ou si l'on administre de l'oxygène.
- Connecter ce produit à une prise mise à la terre de manière adéquate uniquement. Se reporter à la section "Instructions de mise à la terre."
- Ce produit est conforme aux conditions applicables de l'US 21 CFR, Chapitre 1, Sous-chapitre J, Hygiène radiologique.

## CONSERVER CES INSTRUCTIONS

### Instructions de mise à la terre

- Ce produit doit être mis à la terre. En cas de court-circuit, la mise à la terre réduit le risque d'électrocution en apportant un câble d'échappement pour le courant électrique. Ce produit est équipé d'un cordon muni d'un câble de mise à la terre avec une fiche de mise à la terre. Cette fiche doit être branchée dans une prise installée et mise à la terre de manière adéquate.



**DANGER: Risque de choc électrique.** L'utilisation incorrecte de la fiche de mise à la terre peut résulter en risque de choc électrique.

- S'il est nécessaire de remplacer le cordon ou la fiche, ne pas brancher le câble de mise à la terre à l'une des bornes à lame plate. Le câble avec isolation dont l'extérieur est vert avec ou sans rayures jaunes est le câble de mise à la terre.
- Vérifier auprès d'un électricien qualifié ou d'un dépanneur si les instructions de mise à la terre ne sont pas bien comprises ou en cas de doute sur la mise à la terre adéquate du produit.
- Ne pas utiliser de cordon de rallonge avec ce produit.

USA/Canada: 1-800-4KOHLER

México: 001-800-456-4537

[kohler.com](http://kohler.com)

THE BOLD LOOK  
OF **KOHLER**®

©2018 Kohler Co.

1325704-5-A