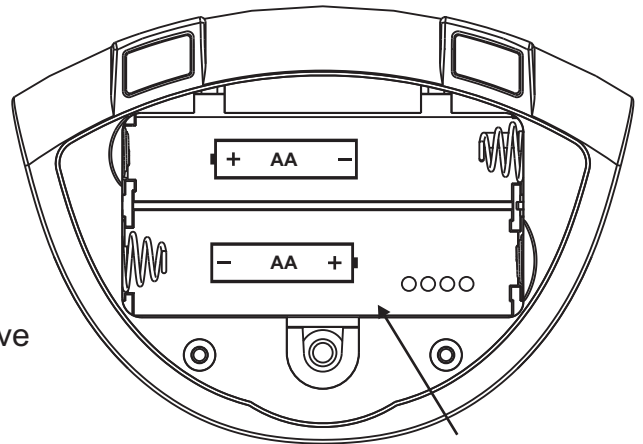
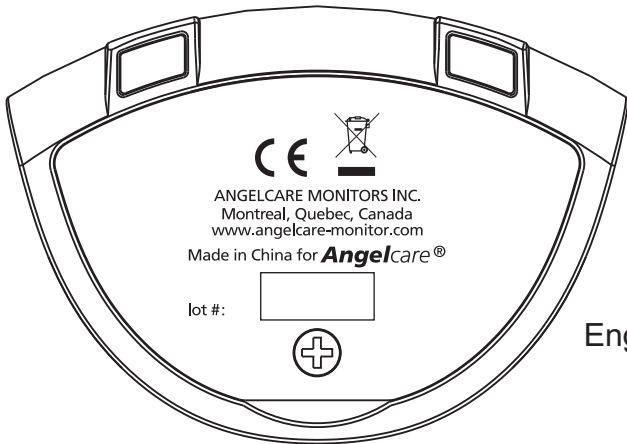
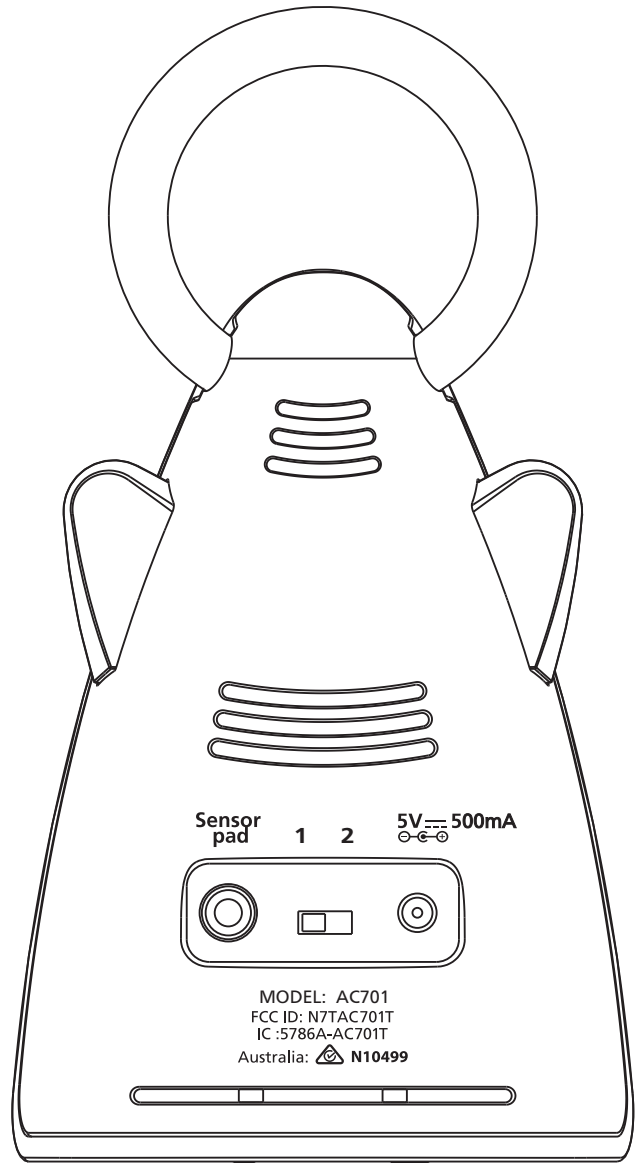
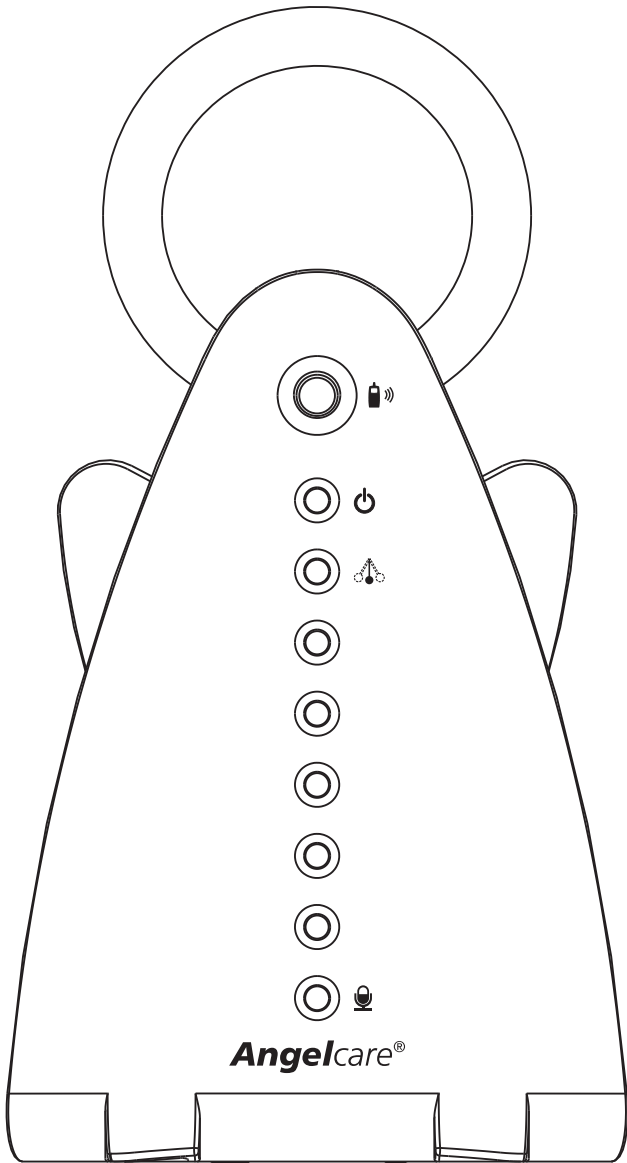


AC701
Rev. 2
11/16/2013

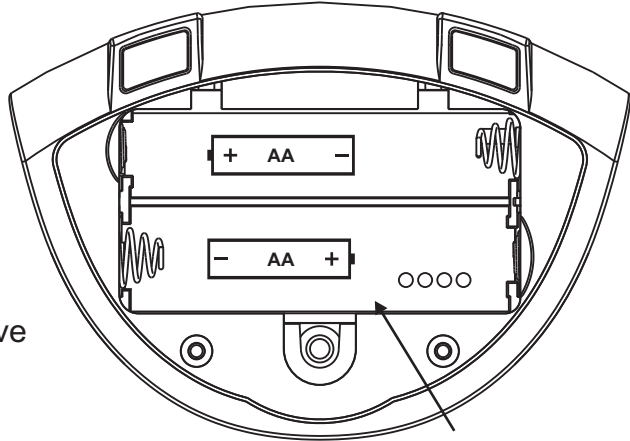
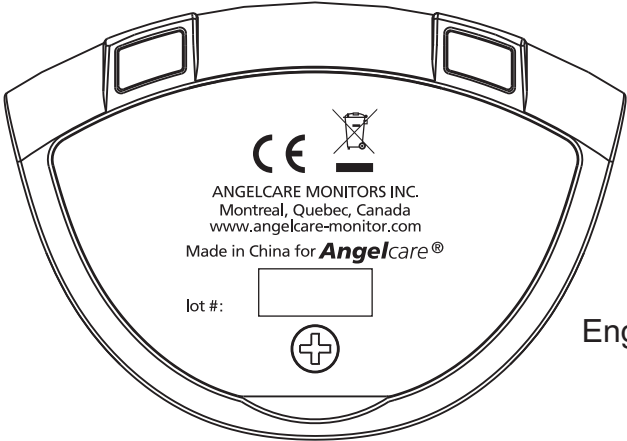
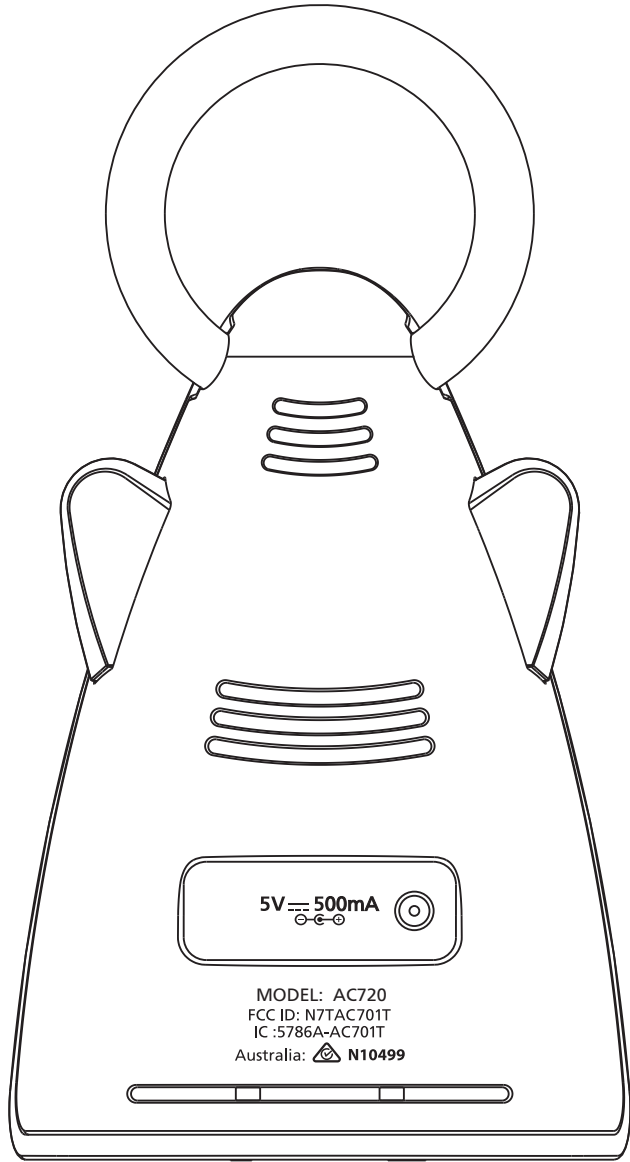
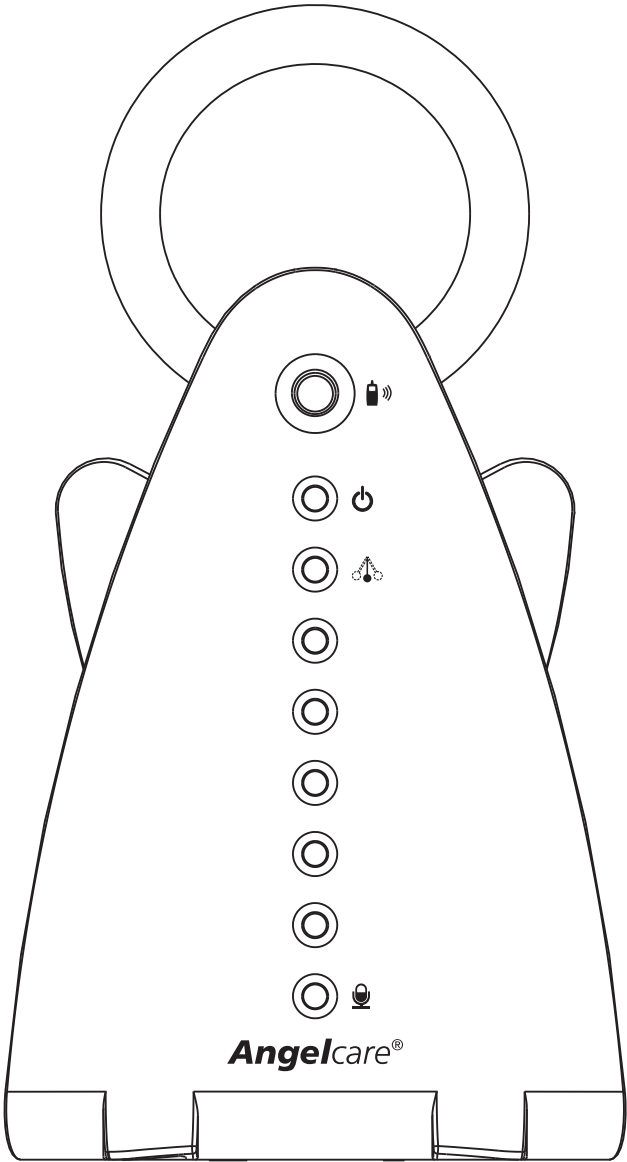


FCC ID: N7TAC701T — 18.5mm x 1.5mm
 IC :5786A-AC701T — 17.0mm x 1.5mm
 Australia: N10499 — 22.0mm x 1.5mm

30mm
 7mm
 5mm

Use only power supplies and batteries listed on the user instructions

AC720
 Rev. 1
 11/16/2013



Engrave

- 18.5mm x 1.5mm
- 17.0mm x 1.5mm
- 22.0mm x 1.5mm

FCC ID: N7TAC701T
 IC :5786A-AC701T
 Australia: N10499

