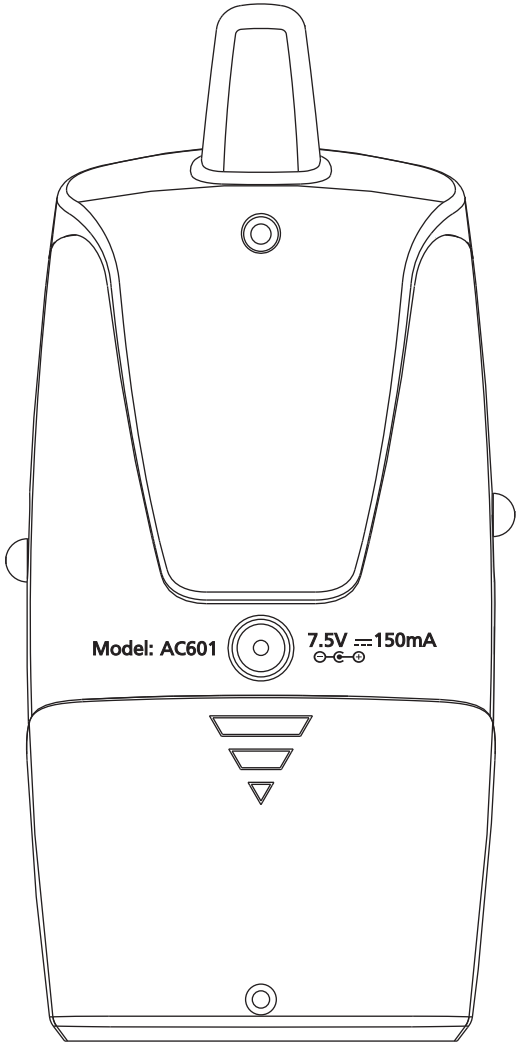
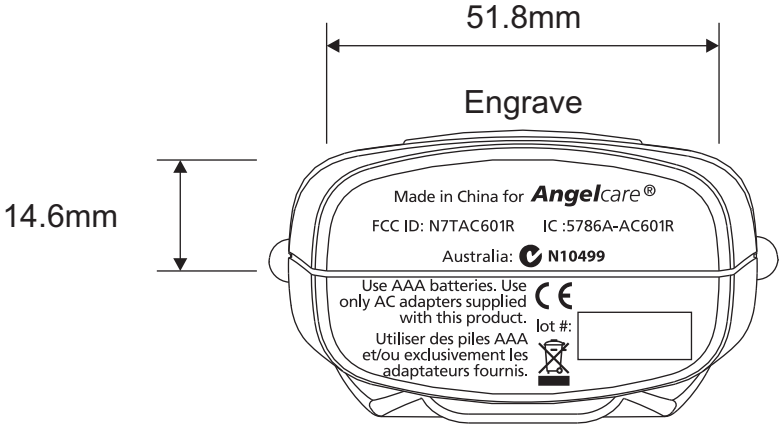


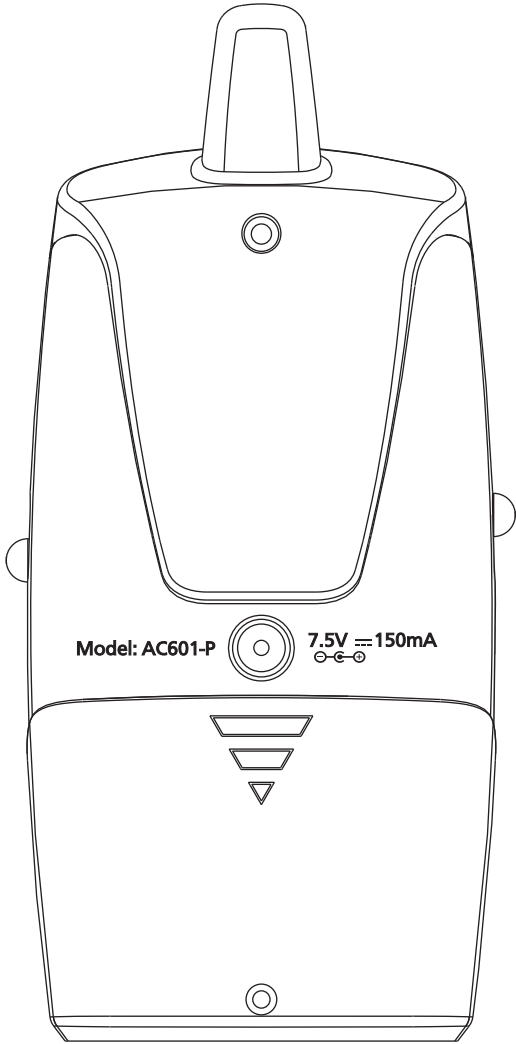
AC601  
 FCC  
 Rev.2  
 12/14/2010

FCC ID: N7TAC601R — 18.8mm x 1.5mm  
 IC :5786A-AC601R — 17.1mm x 1.5mm



For USA

Pad  
 Printing



For Canada  
 (Different Model Number)