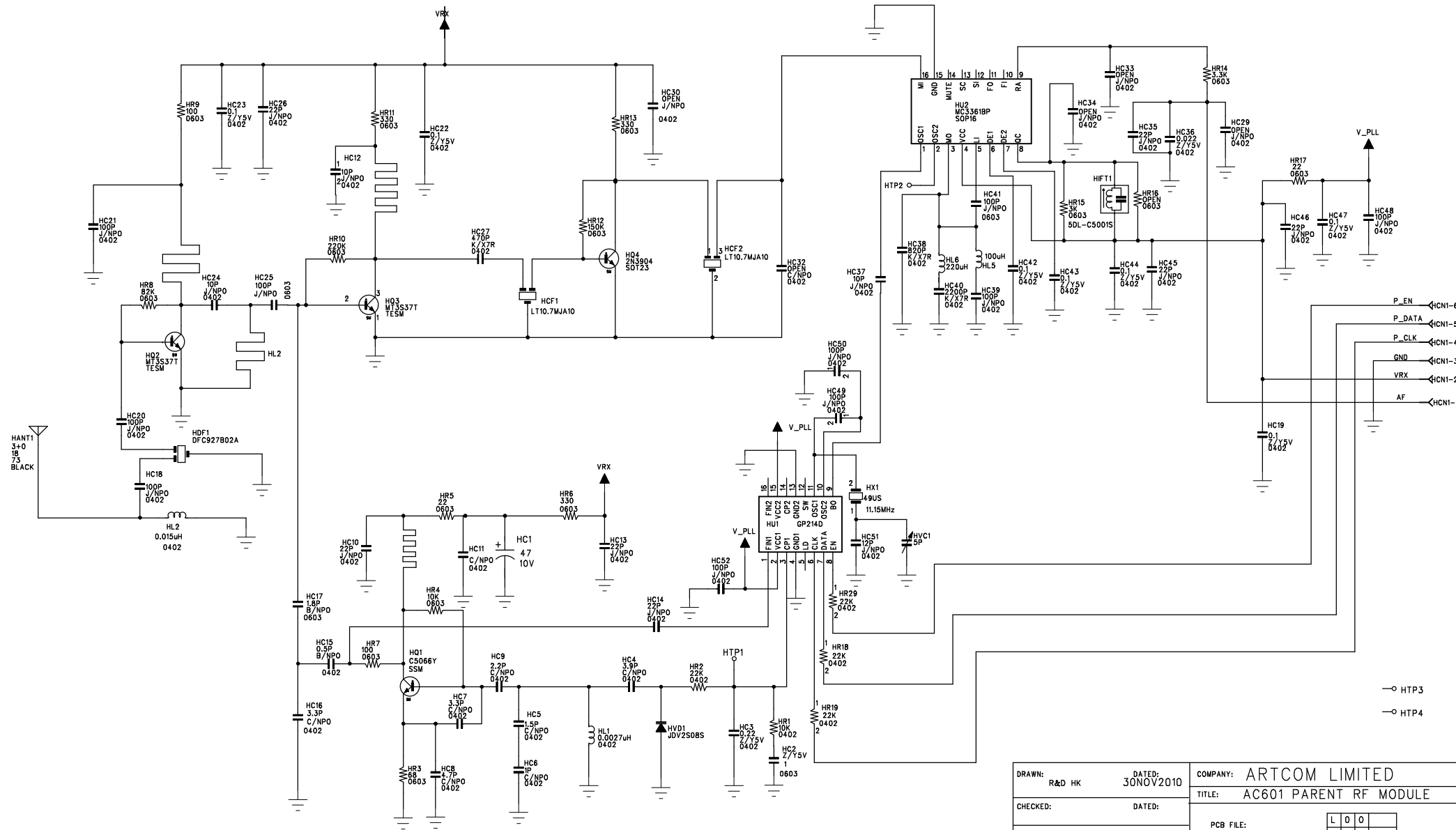


DRAWN: MARTIN	DATED: 30NOV2010	COMPANY: ARTCON
CHECKED:	DATED:	TITLE: AC601 PARENT UNIT
QUALITY CONTROL:	DATED:	SCALE: C.2
RELEASED:	DATED:	CODE: A.4
		SIZE: A3
		REV: 0
		DRAWING NO:
		SHEET: 1 OF 1



DRAWN: R&D HK	DATED: 30NOV2010	COMPANY: ARTCOM LIMITED	
CHECKED:	DATED:	TITLE: AC601 PARENT RF MODULE	
QUALITY CONTROL:	DATED:	PCB FILE:	L O O J O O
RELEASED:	DATED:	SCALE:	SIZE: A3
		CODE:	REV: 0
		DRAWING NO:	SHEET: 1 OF 1