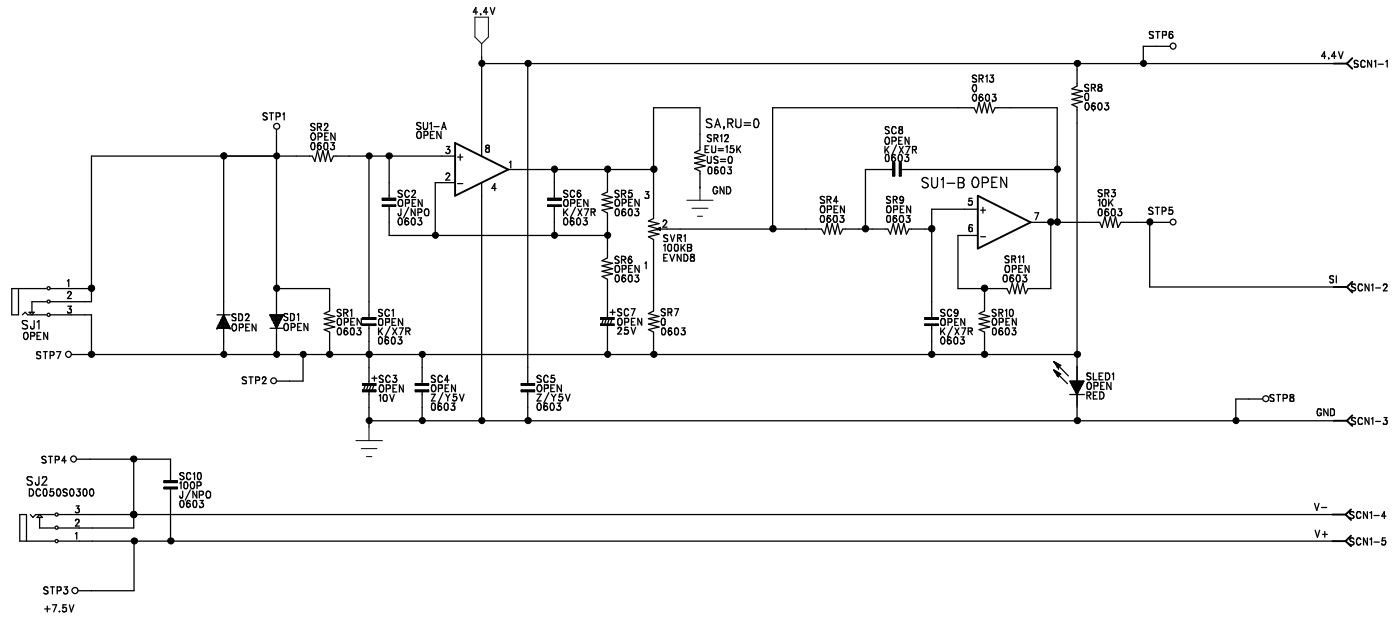
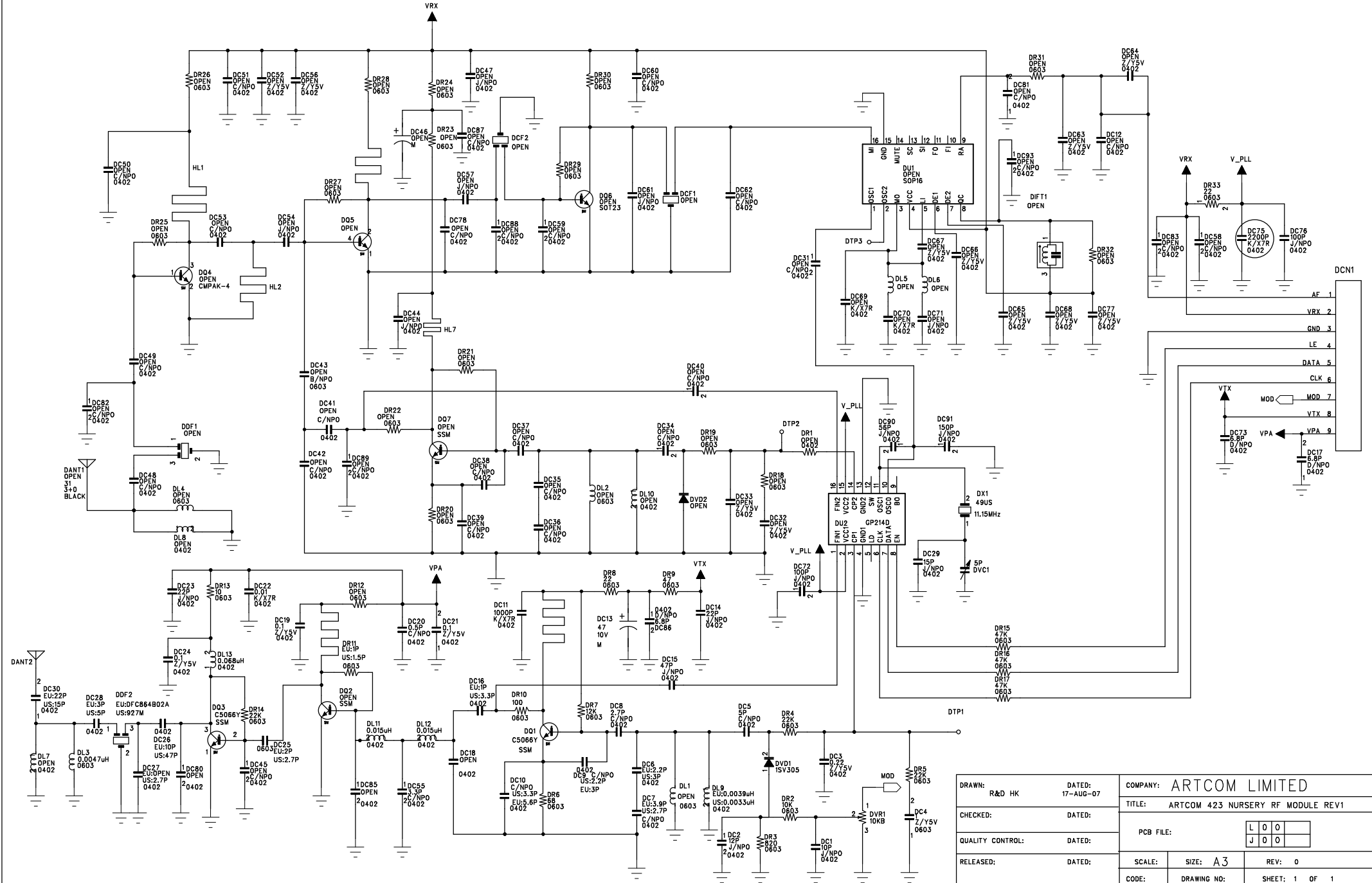


DRAWN:	DATED: 2013-07-08	COMPANY: ARTCOM
CHECKED:	DATED:	TITLE: AC423 NURSERY UNIT MAIN
QUALITY CONTROL:	DATED:	SCALE: SIZE: A3 REV: 0
RELEASED:	DATED:	CODE: DRAWING NO: SHEET: 1 OF 1



DRAWN: EFFIE	DATED: 4JAN07	COMPANY: ARTCOM		
CHECKED:	DATED:	TITLE: AC423 NURSERY DC JACK/VOX		
QUALITY CONTROL:	DATED:	SCALE:	SIZE: A3	REV: 0
RELEASED:	DATED:	CODE:	DRAWING NO:	SHEET: 1 OF 1



DRAWN: R&D HK	DATED: 17-AUG-07	COMPANY: ARTCOM LIMITED						
CHECKED:	DATED:	TITLE: ARTCOM 423 NURSERY RF MODULE REV1						
QUALITY CONTROL:	DATED:	PCB FILE: <table border="1"><tr><td>L</td><td>O</td><td>O</td></tr><tr><td>J</td><td>O</td><td>O</td></tr></table>	L	O	O	J	O	O
L	O	O						
J	O	O						
RELEASED:	DATED:	SCALE: SIZE: A3 REV: 0						
CODE:	DRAWING NO:	SHEET: 1 OF 1						