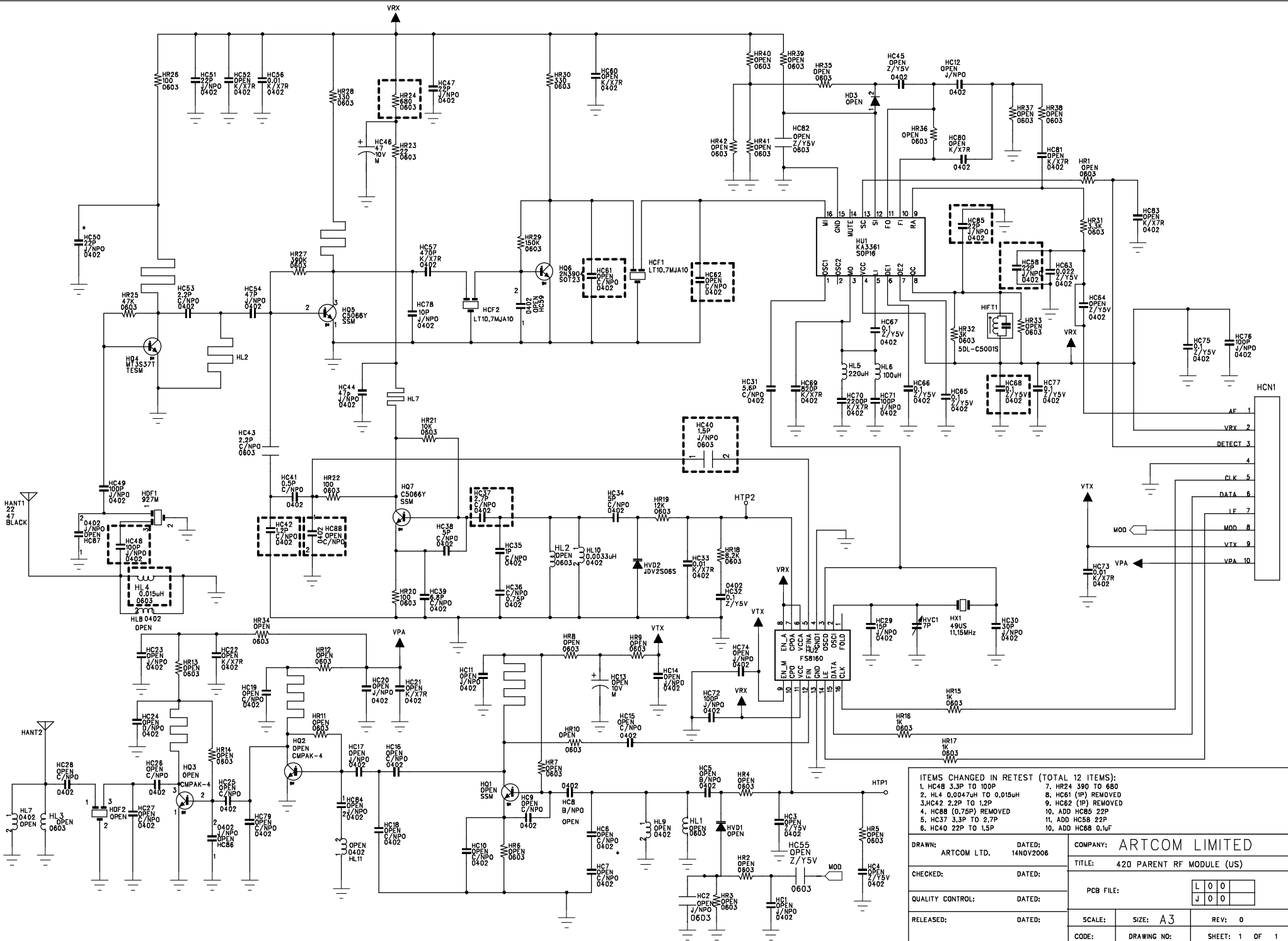


DRAWN: EFFIE	DATED: 10CCT06	COMPANY: ARTCOM
CHECKED:	DATED:	TITLE: AC420 PARENT UNIT
QUALITY CONTROL:	DATED:	SCALE: SIZE: A3 REV: 0
RELEASED:	DATED:	CODE: DRAWING NO: SHEET: 1 OF 1



- ITEMS CHANGED IN RETEST (TOTAL 12 ITEMS):
1. HC48 3.3P TO 100P
 2. HL4 0.0047uH TO 0.015uH
 3. HC42 2.2P TO 1.2P
 4. HC88 (0.75P) REMOVED
 5. HC37 3.3P TO 2.7P
 6. HC40 2.2P TO 1.5P
 7. HR24 390 TO 680
 8. HC81 (1P) REMOVED
 9. HC82 (1P) REMOVED
 10. ADD HC85 22P
 11. ADD HC86 22P
 12. ADD HC88 0.1uF

DRAWN:	ARTCOM LTD.	DATED:	14NOV2006	COMPANY:	ARTCOM LIMITED		
CHECKED:		DATED:		TITLE:	420 PARENT RF MODULE (US)		
QUALITY CONTROL:		DATED:		PCB FILE:	L 0 0	J 0 0	
RELEASED:		DATED:		SCALE:	SIZE:	A3	REV: 0
				CODE:	DRAWING NO:		SHEET: 1 OF 1