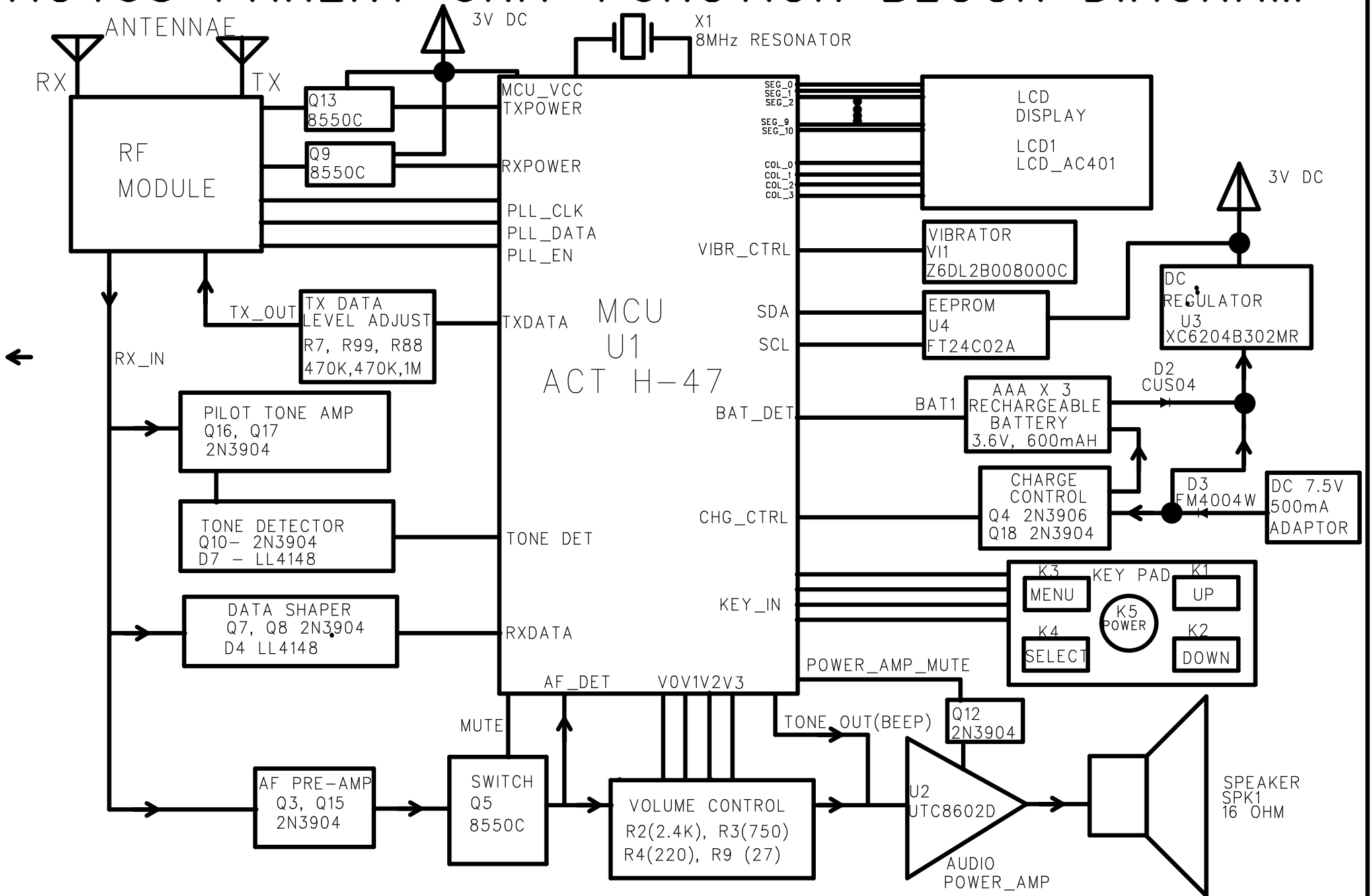
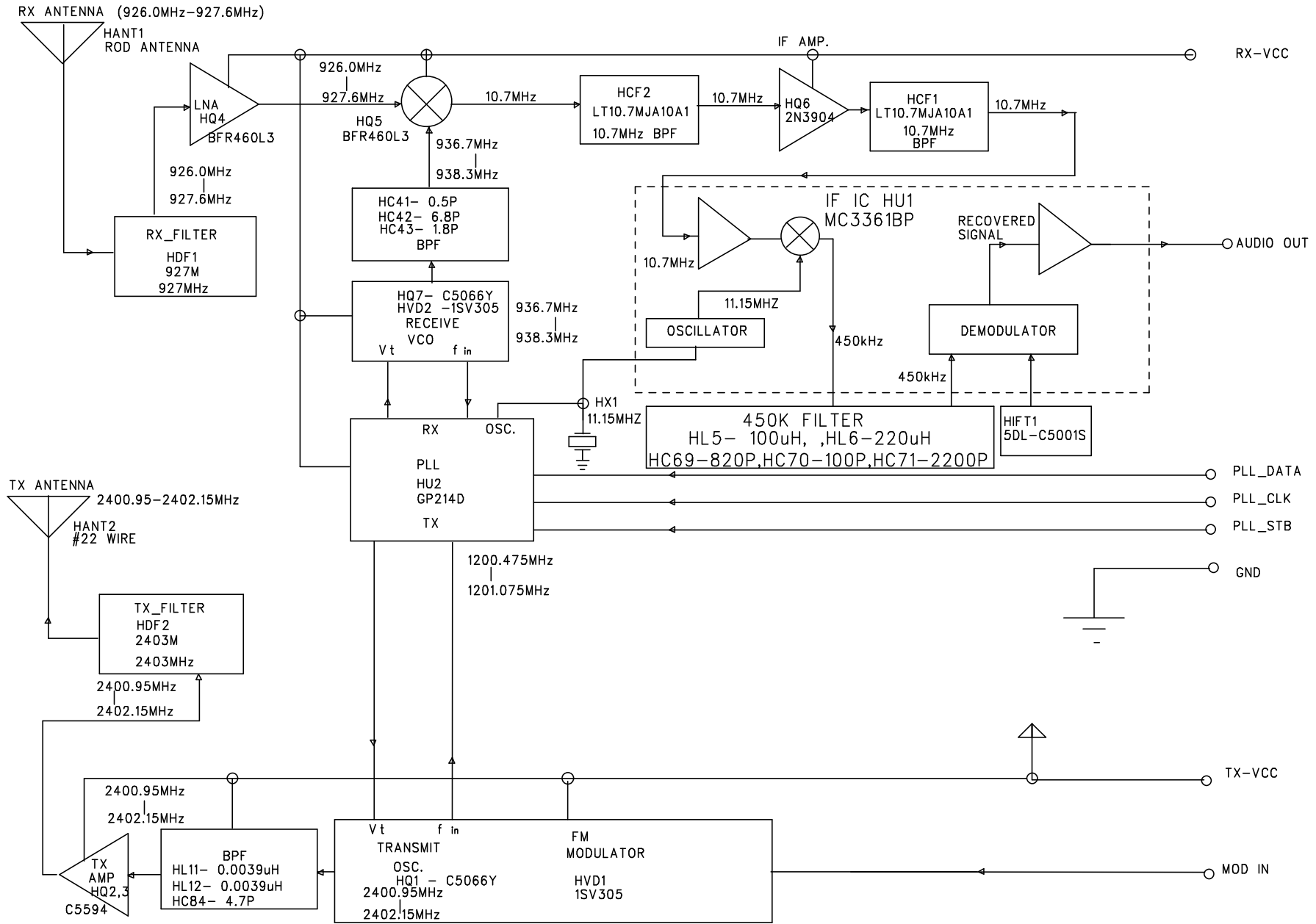


# AC403 PARENT UNIT FUNCTION BLOCK DIAGRAM





<b>MODEL:</b>	AC403 RF MODULE -PARENT UNIT (US/AU)
<b>DRAWN BY:</b>	
<b>DATE:</b>	