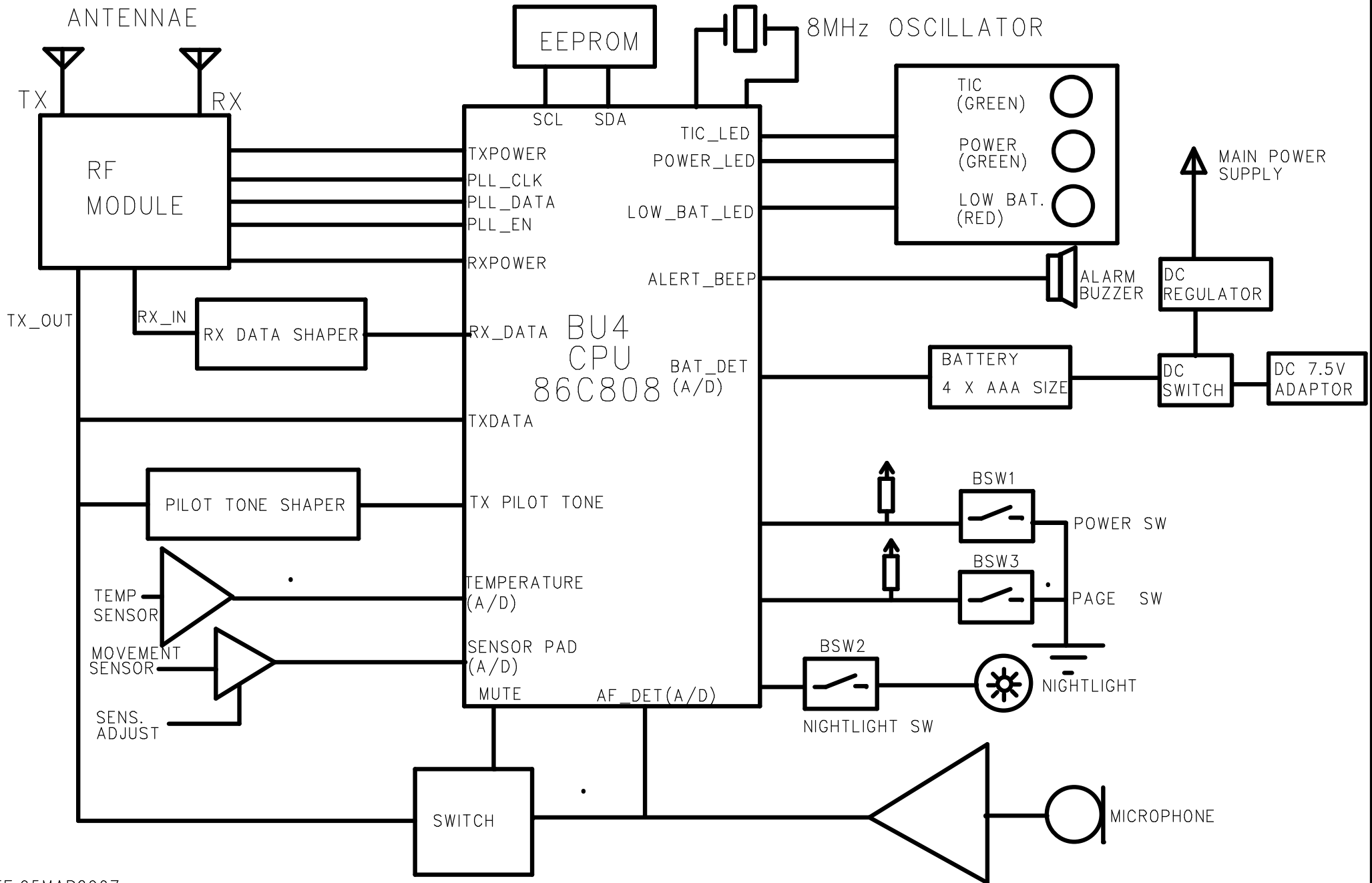
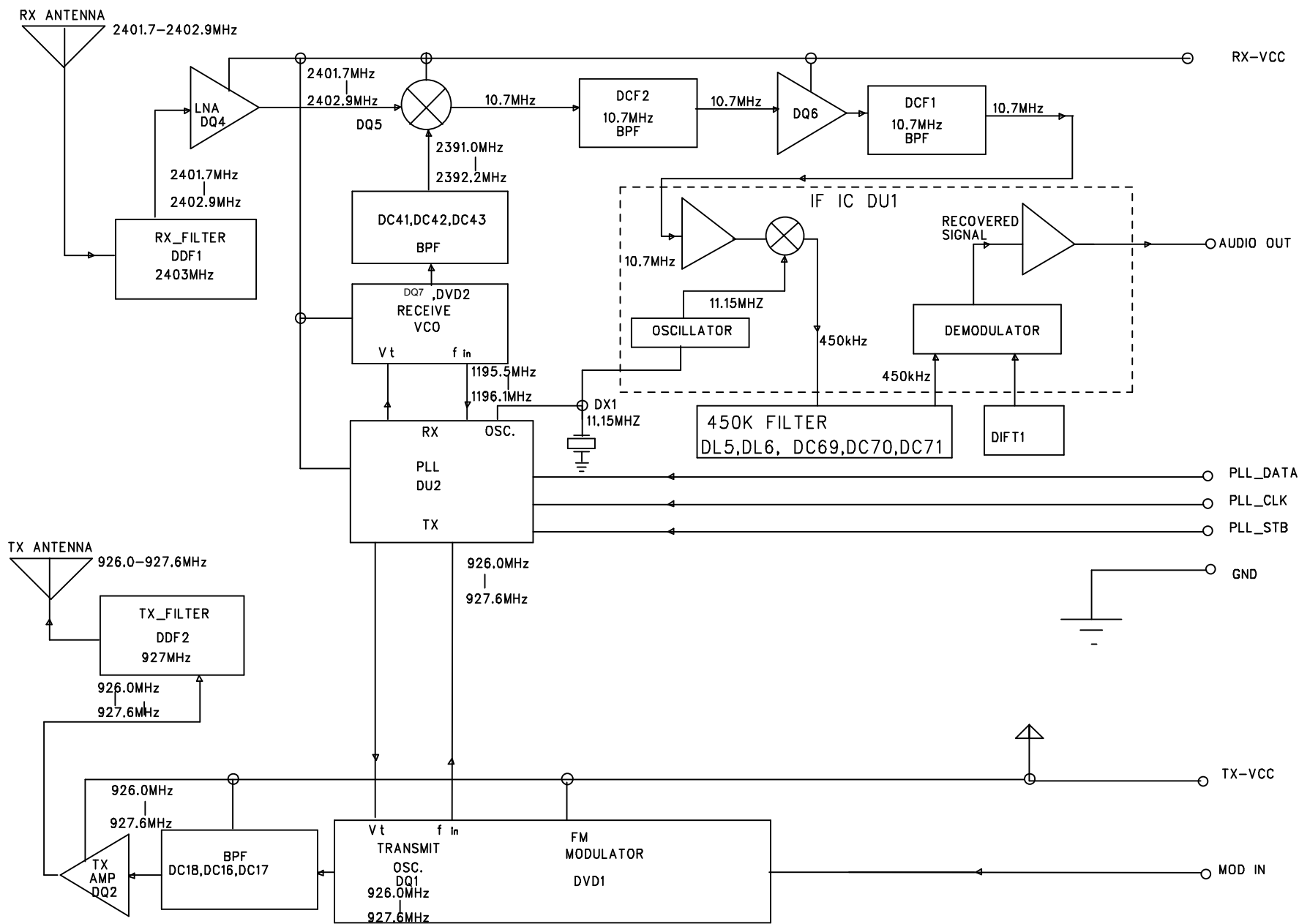


AC401

Baby Unit FUNCTION BLOCK DIAGRAM



DATE:05MAR2007



MODEL:	AC401 RF_MODULE Baby Unit (US/AU)
DRAWN BY:	
DATE:	25-APR-2007