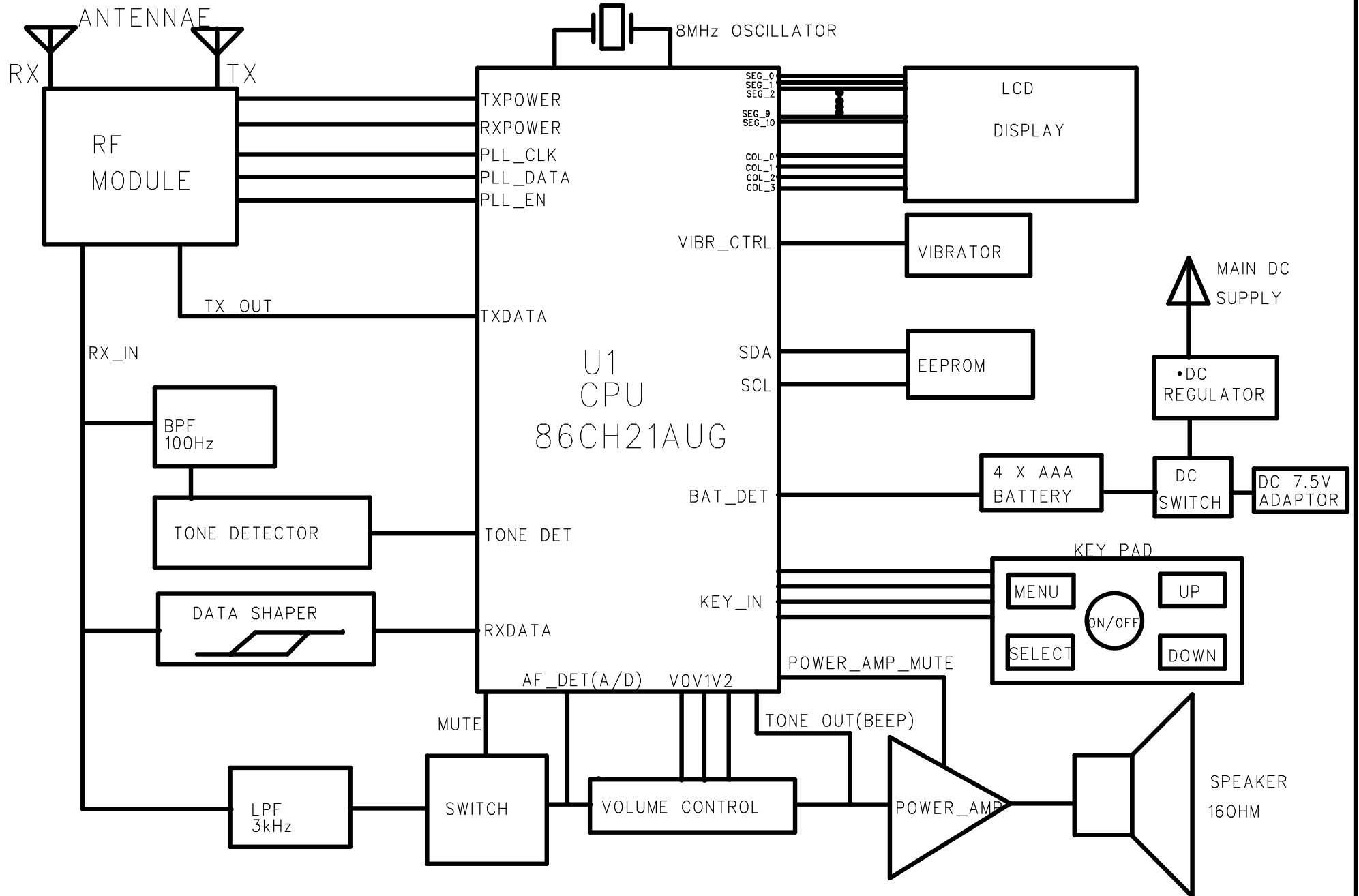
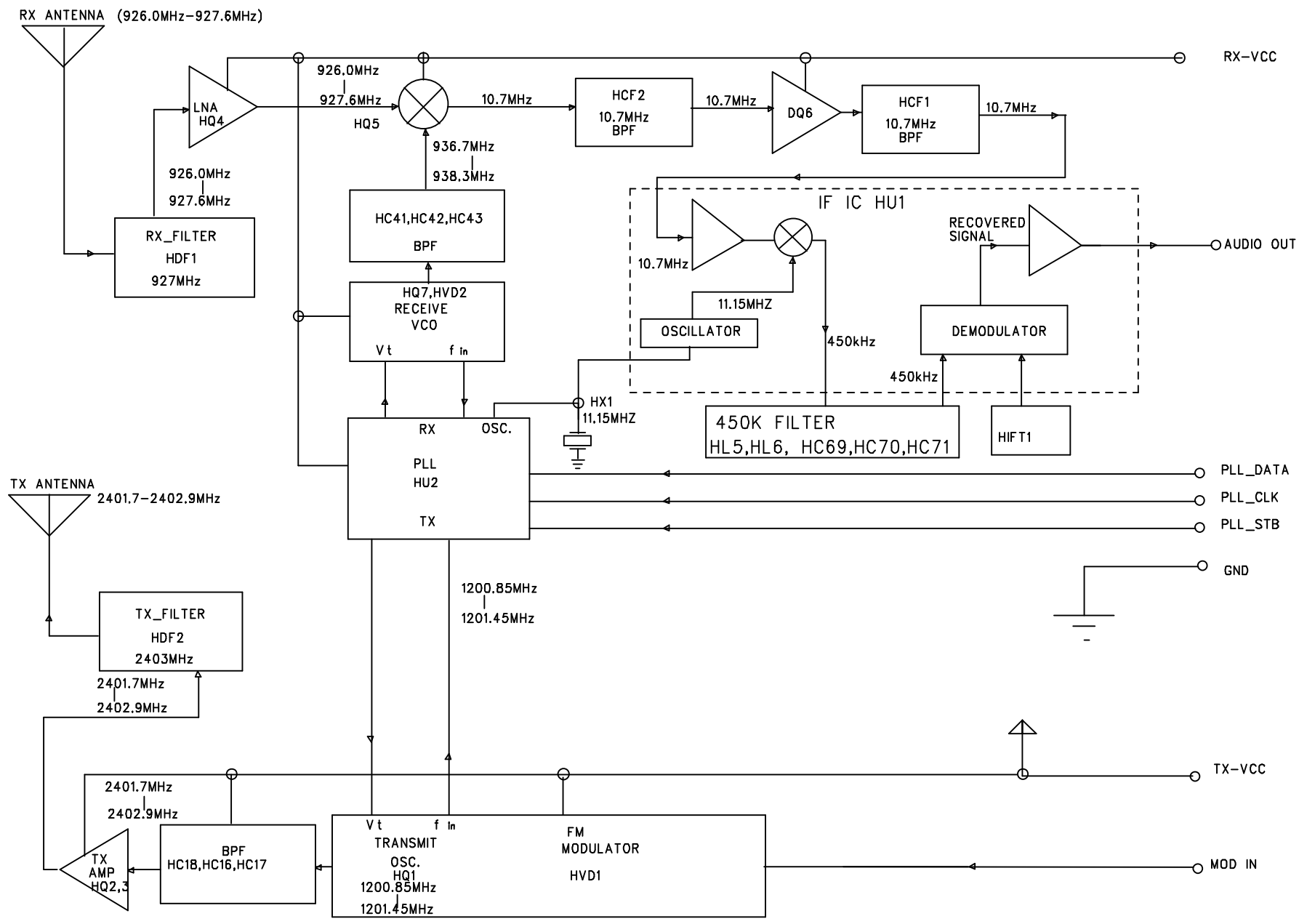


AC401 PARENT UNIT FUNCTION BLOCK DIAGRAM





MODEL:	AC401 RF MODULE -PARENT UNIT (US/AU)
DRAWN BY:	
DATE:	25-APR-2007