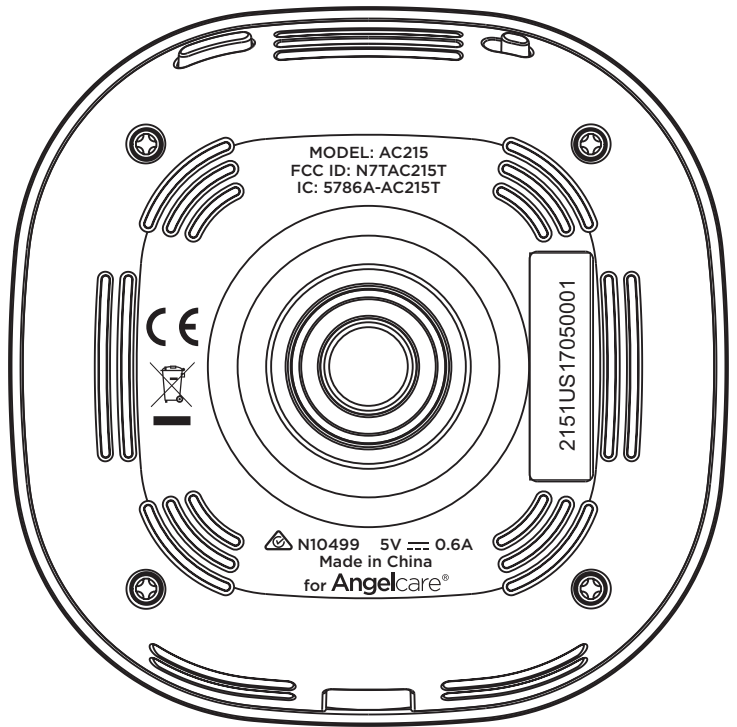
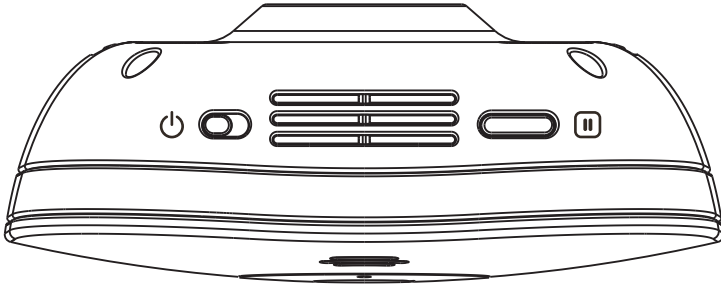


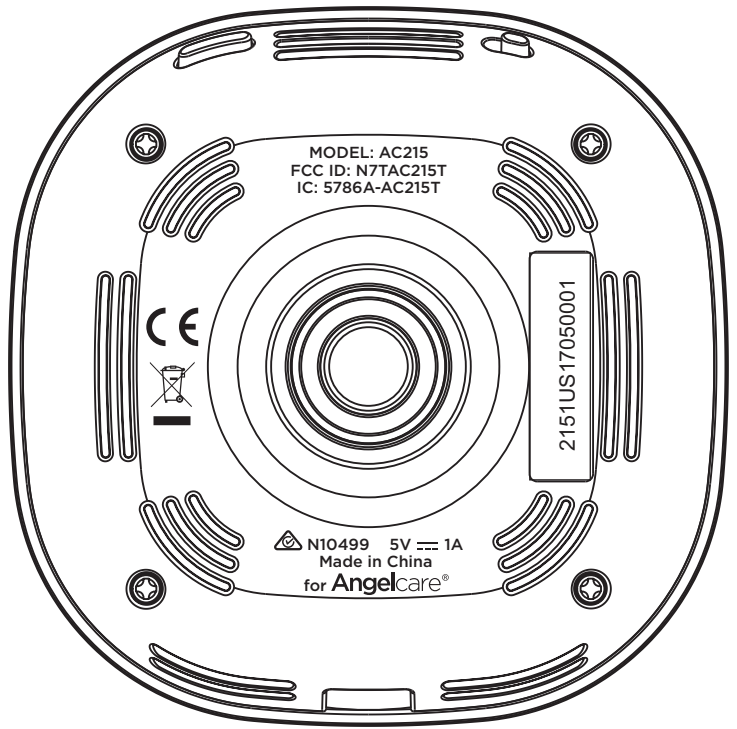
AC215



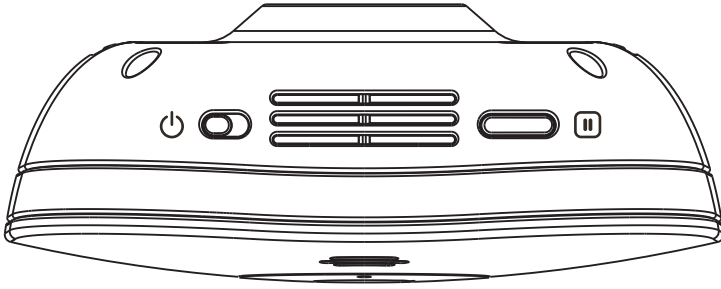
- 15.5mm x 1.5mm
 - 20.5mm x 1.5mm
 - 18.7mm x 1.5mm
 - 8.0mm x 1.5mm
- MODEL: AC215
 FCC ID: N7TAC215T
 IC: 5786A-AC215T
 N10499



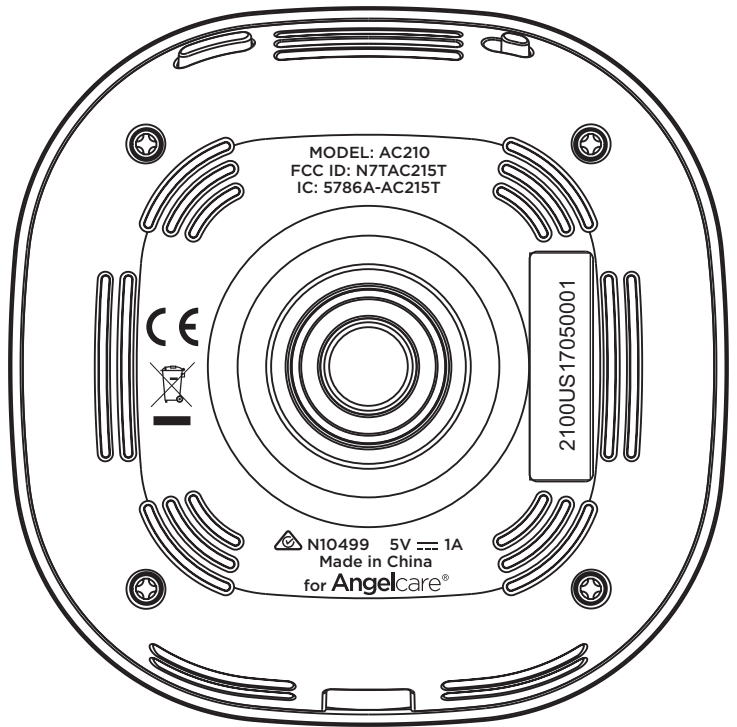
AC215



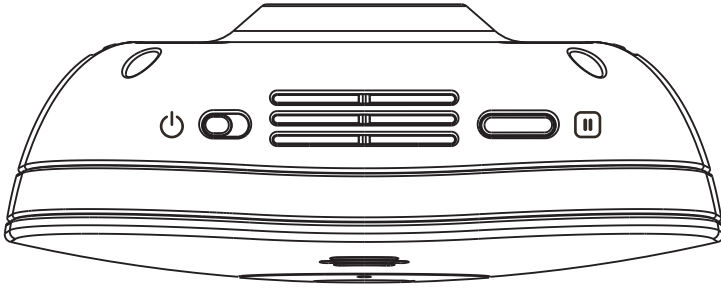
- 15.5mm x 1.5mm
 - 20.5mm x 1.5mm
 - 18.7mm x 1.5mm
 - 8.0mm x 1.5mm
- MODEL: AC215
 FCC ID: N7TAC215T
 IC: 5786A-AC215T
 N10499



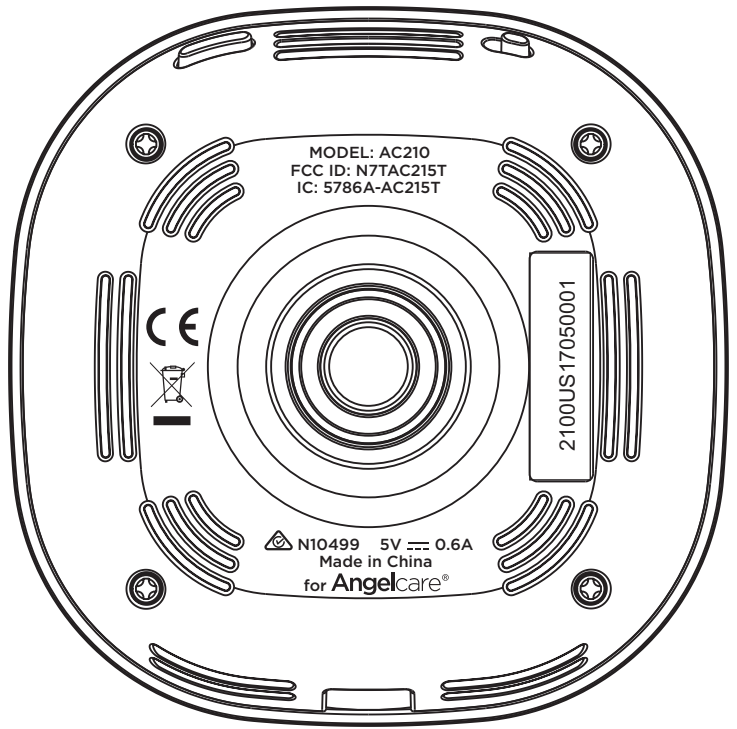
AC210



- 15.5mm x 1.5mm
 - 20.5mm x 1.5mm
 - 18.7mm x 1.5mm
 - 8.0mm x 1.5mm
- MODEL: AC210
FCC ID: N7TAC215T
IC: 5786A-AC215T
N10499



AC210



- 15.5mm x 1.5mm
 - 20.5mm x 1.5mm
 - 18.7mm x 1.5mm
 - 8.0mm x 1.5mm
- MODEL: AC210
FCC ID: N7TAC215T
IC: 5786A-AC215T
N10499