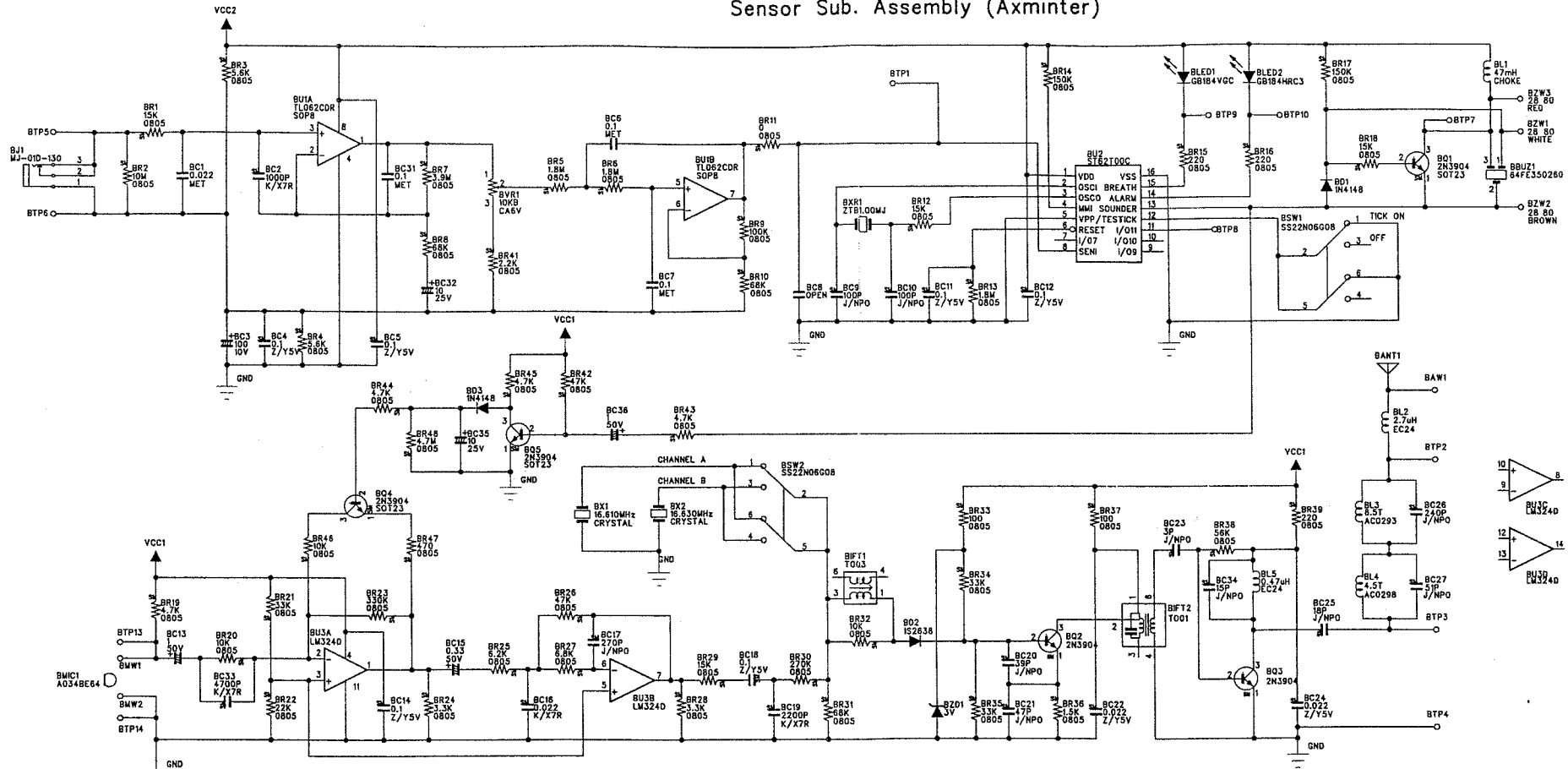
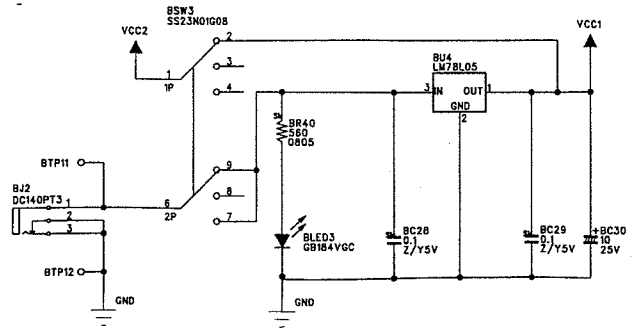


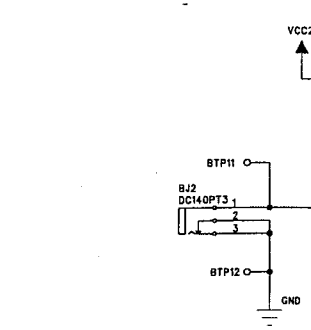
### Sensor Sub. Assembly (Axminster)



### Emitter Sub. Assembly



### Power Supply Sub Assembly



DRAWN: JACKIE WONG	DATED: 11-6-99	COMPANY: ARTCOM LIMITED	
CHECKED:	DATED:	TITLE: ANGELCARE AC101 NURSERY UNIT	
QUALITY CONTROL:	DATED:	SCALE:	SIZE: A3
RELEASED:	DATED:	CODE:	DRAWING NO: REV: OF