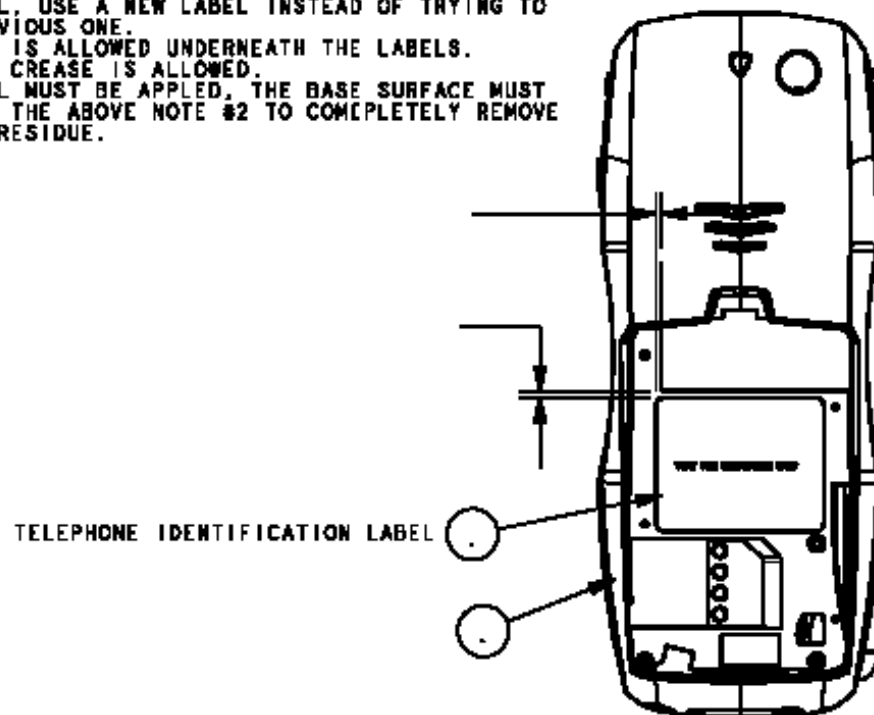


DETAIL 1 - APPLY TELEPHONE IDENTIFICATION AND BADGE LABELS

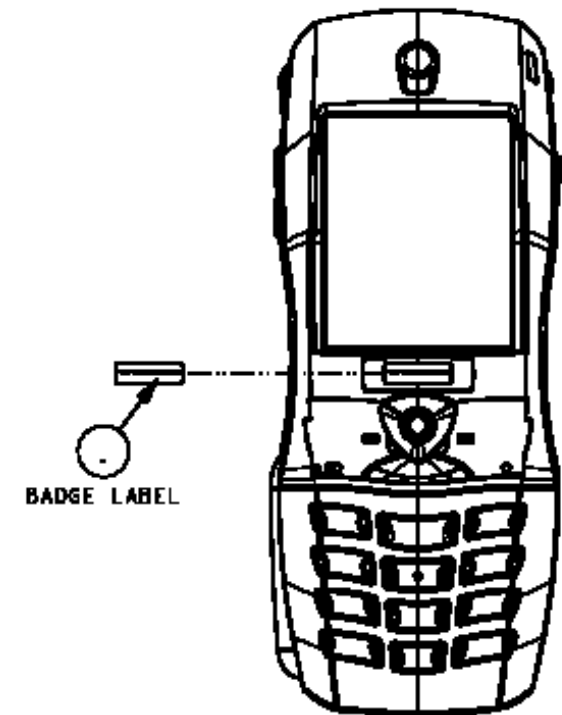
A) ORIENT THE LABELS AS SHOWN.

B) THE FOLLOWING INSTRUCTIONS MUST BE FOLLOWED:

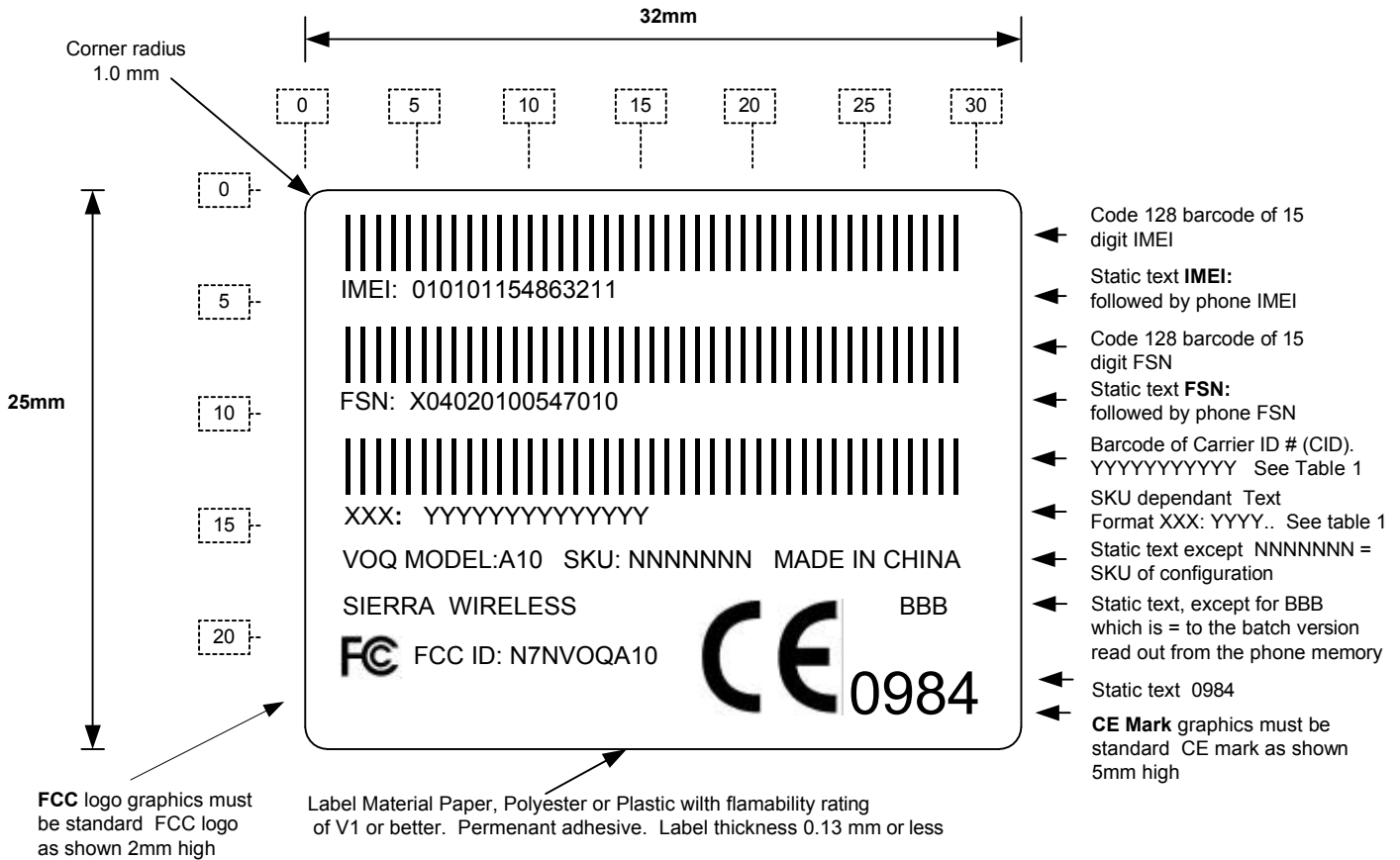
1. DO NOT TOUCH THE ADHESIVE SIDE OF THE LABELS DURING THE LABEL APPLICATION PROCESS.
2. CLEAN THE BASE SURFACES WITH ISOPROPYL ALCOHOL, GENERAL PURPOSE CLEANER, TYPICAL 70%-75%.
3. A LABEL CAN ONLY BE APPLIED ONCE. IF THE PLACEMENT IS NOT SUCCESSFUL, USE A NEW LABEL INSTEAD OF TRYING TO REUSE THE PREVIOUS ONE.
4. NO AIR BUBBLE IS ALLOWED UNDERNEATH THE LABELS.
5. NO STREAK, OR CREASE IS ALLOWED.
6. IF A NEW LABEL MUST BE APPLIED, THE BASE SURFACE MUST BE CLEANED AS THE ABOVE NOTE #2 TO COMPLETELY REMOVE ANY ADHESIVE RESIDUE.



SCALE 0.750



SCALE 0.750



Notes:

1. All Text 1 mm high unless otherwise noted or drawn.
2. All barcodes 2.5 mm high and in Code 128 format unless otherwise noted.
3. Refer to table 1 for Carrier ID codes per SKU.

TABLE: 1

SKU	PREFIX (CID)	CID (Carrier ID Number)	BARCODE FORMAT
NNNNNNN	XXX:	YYYYYYYYYYY	Code 128 (default)
1100358	<null> blank	<null> blank	<null> blank

SIERRA WIRELESS (COPYRIGHT 2001)

THIS DOCUMENT, SUBMITTED IN CONFIDENCE, CONTAINS PROPRIETARY INFORMATION WHICH SHALL NOT BE REPRODUCED OR TRANSFERRED TO OTHER DOCUMENTS OR DISCLOSED TO OTHERS OR USED FOR MANUFACTURING OR ANY OTHER PURPOSE WITHOUT WRITTEN PERMISSION OF SIERRA WIRELESS, INC.

TITLE
LABEL, IMEI, REAR, VOQ, A10

DWG. NO. 2100445	REV. E	SIZE A
----------------------------	------------------	------------------

REV	ECO#	DATE	DRFT	CHK	APP	MFG
E		1/26/2004	RWL			