



SL3010T

Test Report

FOR

FCC Certifications

FCC ID: N7NSL5011

© 2013 Sierra Wireless, Inc.

This document contains information which is proprietary and confidential to Sierra Wireless, Inc. Disclosure to persons other than the officers, employees, agents, or subcontractors of the Company or licensee of this document without the prior written permission of Sierra Wireless, Inc. is strictly prohibited.

SIERRA WIRELESS, INC.

| | | | |
|-----------------|---------|-----------------|-------------|
| FCC Part 22, 24 | SL3010T | August 22, 2013 | Page 2 of 5 |
|-----------------|---------|-----------------|-------------|

Table of Contents

| | | |
|-----|--|---|
| 1 | Introduction and Purpose | 3 |
| 2 | Test Summary | 3 |
| 3 | Description of Equipment under Test..... | 3 |
| 4 | RF Power Output | 4 |
| 4.1 | <i>Test Procedure</i> | 4 |
| 4.2 | <i>Test Equipment</i> | 4 |
| 4.3 | <i>Test Results Cellular band</i> | 5 |
| 4.4 | <i>Test Results PCS band</i> | 5 |

SIERRA WIRELESS, INC.

| | | | |
|-----------------|---------|-----------------|-------------|
| FCC Part 22, 24 | SL3010T | August 22, 2013 | Page 3 of 5 |
|-----------------|---------|-----------------|-------------|

1 Introduction and Purpose

This document provides test data for the SL3010T modem intended for FCC certifications. The tests included in this report are limited to RF Power Output for the FCC Class II Permissive change verification.

2 Test Summary

| FCC Rule | DESCRIPTION OF TEST | RESULT | PAGE |
|----------|---------------------|----------|------|
| 2.1046 | RF Power Output | Complies | 4 |

3 Description of Equipment under Test

The SL3010T modem, referred to as “EUT” hereafter, is a multi-band wireless modem operating on the CDMA2000 networks. EUT support 850MHz and 1900MHz, so this test report only contains data for these two bands (850MHz and 1900MHz).

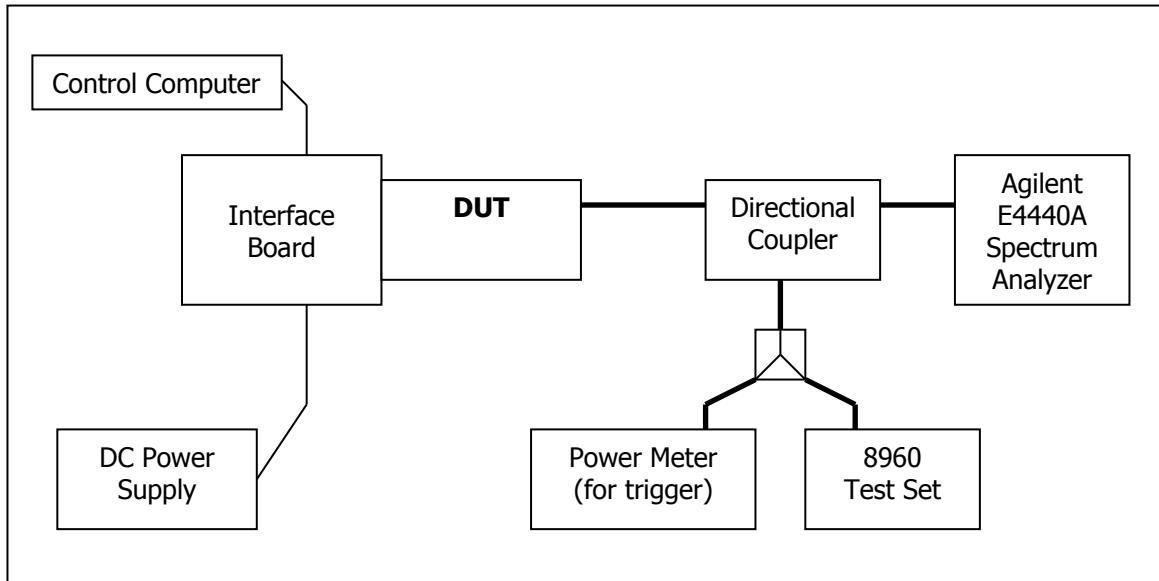
4 RF Power Output

FCC 2.1046

4.1 Test Procedure

The transmitter output was connected to an Agilent 8960 Test Set and configured to operate at maximum power in a call. The power was measured using the spectrum analyzer at three equally spaced operating frequencies for each band. The RBW was set to 1230 KHz for the CDMA2000 and EVDO measurements. The spectrum analyzer was set to measure the RF output power with the cable and coupler losses accounted for.

Test Setup



4.2 Test Equipment

| EQUIPMENT | MANUFACTURER | MODEL NO. | SERIAL NO. | CAL. DATE |
|---------------------|--------------|------------|------------|-------------------|
| Control Computer | TC | Generic PC | 100488 | N/A |
| Wireless Test Set | Agilent | 8960 | MY50260409 | September17, 2012 |
| Spectrum Analyzer | Agilent | E4440A | MY48250234 | September17, 2012 |
| DC Power Supply | HP | 66311B | MY43006721 | N/A |
| Interface Board | Shop built | | N/A | N/A |
| Directional Coupler | Krytar | 152010 | 111269 | N/A |

SIERRA WIRELESS, INC.

| | | | |
|-----------------|---------|-----------------|-------------|
| FCC Part 22, 24 | SL3010T | August 22, 2013 | Page 5 of 5 |
|-----------------|---------|-----------------|-------------|

4.3 Test Results Cellular band

| EUT Mode | Frequency (MHz) | CH | RMS Power (dBm) | Peak Power (dBm) |
|-----------|-----------------|------|-----------------|------------------|
| CDMA 2000 | 824.70 | 1013 | 23.38 | 27.88 |
| | 836.52 | 384 | 23.64 | 28.18 |
| | 848.31 | 777 | 23.54 | 28.04 |

4.4 Test Results PCS band

| EUT Mode | Frequency (MHz) | CH | RMS Power (dBm) | Peak Power (dBm) |
|-----------|-----------------|------|-----------------|------------------|
| CDMA 2000 | 1851.25 | 25 | 23.85 | 28.35 |
| | 1880 | 600 | 23.94 | 28.44 |
| | 1908.75 | 1175 | 23.78 | 28.28 |