



MC8781 HSPA Test Report

(RF Power Output)

FCC ID: N7NMC8781

Prepared by
SIERRA WIRELESS INC.
13811 WIRELESS WAY
RICHMOND, BC V6V 3A4
CANADA

Sept. 20, 2007

© 2007 Sierra Wireless, Inc.

This document contains information which is proprietary and confidential to Sierra Wireless, Inc. Disclosure to persons other than the officers, employees, agents, or subcontractors of the Company or licensee of this document without the prior written permission of Sierra Wireless, Inc. is strictly prohibited.

SIERRA WIRELESS, INC.

FCC Test Report	FCC ID: N7NMC8781	Sept 20, 2007	Page 2 of 12
-----------------	-------------------	---------------	--------------

Table of Contents

1	Introduction and Purpose.....	3
2	Test Summary	3
3	Description of DUT (Device Under Test).....	3
4	RF Power Output	3
4.1	<i>Test Procedure</i>	3
4.2	<i>Test Equipment</i>	4
4.3	<i>RF Output Power Results for HSDPA Rel6</i>	5
4.3.1	Sub-Test 1	5
4.3.2	Sub-Test 2	6
4.3.3	Sub-Test 3	6
4.3.4	Sub-Test 4	6
4.4	<i>RF Output Power Results for HSPA (HSDPA & HSUPA) Rel6</i>	7
4.4.1	Sub-Test 1:	7
4.4.2	Sub-Test 2:	8
4.4.3	Sub-Test 3:	8
4.4.4	Sub-Test 4:	8
4.4.5	Sub-Test 5:	8
5	CMU200 Settings for all Tests Completed	9
6	Conclusion	12

SIERRA WIRELESS, INC.

FCC Test Report	FCC ID: N7NMC8781	Sept 20, 2007	Page 3 of 12
-----------------	-------------------	---------------	--------------

1 Introduction and Purpose

The MC8781 (FCC ID: N7NMC8781) wireless modem was originally certified by FCC as an HSDPA device. This document provides additional RF output power data in Release 6 HSDPA/HSUPA mode per FCC's latest guidance on certification of HSPA devices in support of a Class II Permissive Change application for the MC8781 wireless modem.

2 Test Summary

FCC RULE	TEST Item	RESULT
2.1046	RF Power Output	Output power in Rel 6 HSPA mode is not higher than in Rel 99 WCDMA mode or Rel 5 HSDPA mode, therefore additional SAR testing in Rel 6 HSPA mode is not required.

The tests described in this report were performed by Mr. Philip Wright at:

Sierra Wireless, Inc.
13811 Wireless Way
Richmond, B.C. V6V 3A4
Canada

3 Description of DUT (Device Under Test)

MC8781 is a 3G multi-band wireless modem supporting HSDPA Category 8 with downlink data rate up to 7.2Mbps and HSUPA Category 5 with uplink data rate up to 2 Mbps. In the US, only Cellular and PCS bands are operational, so this test report only contains data for these two bands (850MHz and 1900MHz).

4 RF Power Output

FCC 2.1046

4.1 Test Procedure

The transmitter output was connected to a Rohde & Schwarz CMU200 Test Set and configured to operate at maximum power according to each test. The power was measured using the spectrum analyzer at three equally spaced operating frequencies for each band. The RBW was set to 5MHz for the WCDMA measurements. The spectrum

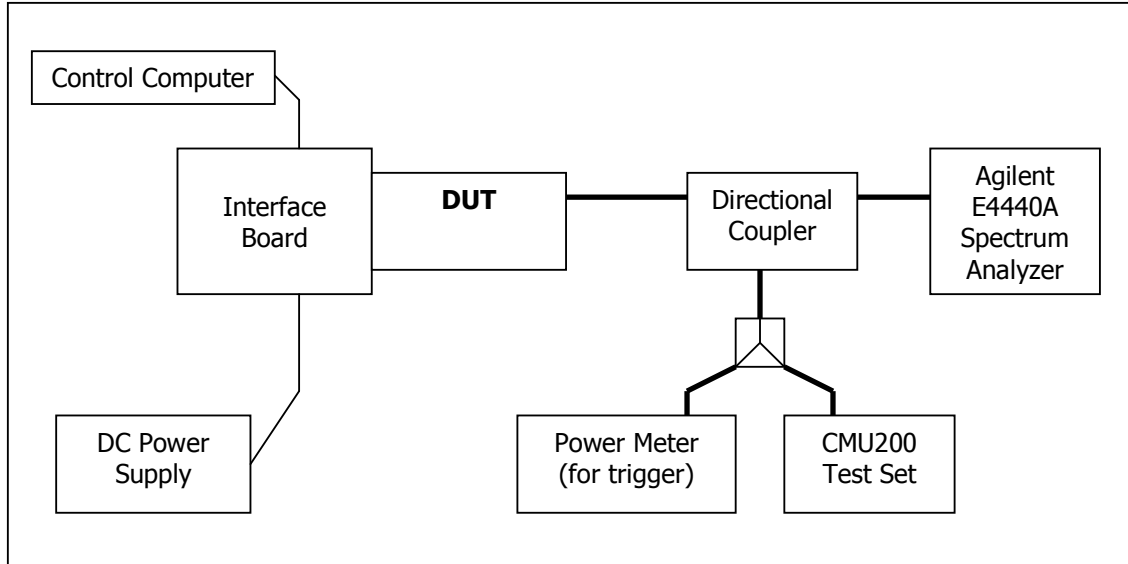
© 2007 Sierra Wireless, Inc.

The contents of this page are subject to the confidentiality information on page one.

SIERRA WIRELESS, INC.

analyzer was set to measure the RF output power with the cable and coupler losses accounted for.

Test Setup



4.2 Test Equipment

Instrument List

EQUIPMENT	MANUFACTURER	MODEL NO.	SERIAL NO.	CAL. DATE
Control Computer	TC	Generic PC	100488	N/A
Wireless Test Set	Rohde & Schwarz	CMU200	836766/030	N/A
Spectrum Analyzer	Agilent	PSA E4440A	US41421268	Mar. 1, 2007
DC Power Supply	HP	6632A	3530A	N/A
Interface Board	Shop built	Minnow	N/A	N/A
Directional Coupler	Mini-Circuits	ZA3PD-2	N/A	N/A

SIERRA WIRELESS, INC.

FCC Test Report	FCC ID: N7NMC8781	Sept 20, 2007	Page 5 of 12
-----------------	-------------------	---------------	--------------

4.3 RF Output Power Results for HSDPA Rel6

The MC8781 supports Category 8 FDD HS-DSCH physical layer. As stated in the 3GPP TS25.306 V7.3.0 Table 5.1a, the details of Category 8 are as follows:

- Maximum of 10 E-DSCH received codes
- Minimum 1 inter-TTI interval
- Maximum 14411bits in an E-DSCH transport block received within an E-DSCH TTI
- Total number of soft channel bits is 134400
- Support of QPSK and 16QAM

A detailed list of all settings used is included at the end of this report in section 6.0

The following Sub-Tests were completed according to the test requirements outlined in section 5.2A of the 3GPP TS34.121-1 V7.5.0 specification. All TX RMS and Peak power requirements for Power Class 3 were met according to table 5.2AA.5 and achieved through the outlined test procedure in section 5.2AA.4.2. All UE channels and power ratios are set according to table C10.1.4 in the 3GPP TS34.121-1 V7.5.0 specification. A summary of these settings are illustrated below:

Subtest	Mode	Call Type	RMC (kbps)	HSDPA FRC	Power Class 3			CM (db)	MPR (db)
					Max Limit dBm	β_c/β_d	β_{hs}		
1	HSDPA	PS	12.2	H-Set 1 QPSK	24 (+1.7/-3.7 db)	2 /15	4/15	0.0	0.0
2	HSDPA	PS	12.2	H-Set 1 QPSK	24 (+1.7/-3.7 db)	12 /15	24/15	1.0	0.0
3	HSDPA	PS	12.2	H-Set 1 QPSK	23.5 (+2.2/-3.7 db)	15 /8	30/15	1.5	0.5
4	HSDPA	PS	12.2	H-Set 1 QPSK	23.5 (+2.2/-3.7 db)	15 /4	30/15	1.5	0.5

4.3.1 Sub-Test 1

$\beta_c=2/15$, $\beta_d=15/15$, $\beta_{hs}=4/15$

Frequency (MHz)	Channel	Power (dBm)	
		RMS	Peak
826.4	4132	22.22	25.8
836.4	4182	22.27	25.8
846.6	4233	22.31	25.9
1852.4	9262	22.27	25.8
1880.0	9400	22.25	26.0
1907.5	9538	22.31	25.9

© 2007 Sierra Wireless, Inc.

The contents of this page are subject to the confidentiality information on page one.

SIERRA WIRELESS, INC.

4.3.2 Sub-Test 2

$\beta_c=12/15, \beta_d=15/15, \beta_{hs}=24/15$

Frequency (MHz)	Channel	Power (dBm)	
		RMS	Peak
826.4	4132	22.12	25.7
836.4	4182	22.17	25.3
846.6	4233	22.15	25.2
1852.4	9262	22.21	25.4
1880.0	9400	22.02	25.3
1907.5	9538	21.98	25.4

4.3.3 Sub-Test 3

$\beta_c=15/15, \beta_d=15/8, \beta_{hs}=30/15$

Frequency (MHz)	Channel	Power (dBm)	
		RMS	Peak
826.4	4132	22.13	25.2
836.4	4182	22.17	25.4
846.6	4233	22.24	25.6
1852.4	9262	22.17	25.4
1880.0	9400	22.19	25.7
1907.5	9538	22.13	25.4

4.3.4 Sub-Test 4

$\beta_c=15/15, \beta_d=4/15, \beta_{hs}=30/15$

Frequency (MHz)	Channel	Power (dBm)	
		RMS	Peak
826.4	4132	22.02	25.4
836.4	4182	22.15	25.3
846.6	4233	21.99	25.3
1852.4	9262	21.98	25.2
1880.0	9400	22.01	25.2
1907.5	9538	21.98	25.3

SIERRA WIRELESS, INC.

FCC Test Report	FCC ID: N7NMC8781	Sept 20, 2007	Page 7 of 12
-----------------	-------------------	---------------	--------------

4.4 RF Output Power Results for HSPA (HSDPA & HSUPA) Rel6

The MC8781 supports Category 5 FDD E-DCH physical layer. As stated in the 3GPP TS25.306 V7.3.0 Table 5.1g, the details of Category 5 are as follows:

- Maximum of 2 E-DCH transmitted codes
- Minimum spreading factor of SF2
- Support for only 10ms TTI E-DCH
- Maximum 20000bits in an E-DCH transport block within a 10ms E-DCH TTI
- Data rate of 2 Mbps
- Support of QPSK only

A detailed list of all settings used is included at the end of this report in section 6.0

The following 5 Sub-Tests were completed according to the test requirements outlined in section 5.2B of the 3GPP TS34.121-1 V7.5.0 specification. All TX RMS and Peak power requirements were met according to table 5.2B.5 and achieved through the outlined test procedure in section 5.2B.4.2. All UE channels and power ratio's are set according to table C11.1.3 in the 3GPP TS34.121-1 V7.5.0 specification. A summary of these settings are illustrated below:

Subtest	Mode	Call Type	RMC (kbps)	HSDPA FRC	Power Class 3 Max Limit dBm	β_c/β_d	β_{hs}	β_{ed}	CM (db)	MPR (db)
1	HSPA	PS	12.2	H-Set 1 QPSK	24 (+1.7/-5.2 db)	11 /15	22/15	209/225	1.0	0.0
2	HSPA	PS	12.2	H-Set 1 QPSK	22 (+3.7/-5.2 db)	6 /15	12/15	12/15	3.0	2.0
3	HSPA	PS	12.2	H-Set 1 QPSK	23 (+2.7/-5.2 db)	15 /15	30/15	30/15	2.0	1.0
4	HSPA	PS	12.2	H-Set 1 QPSK	22 (+1.7/-5.2 db)	15 /9	4/15	2/15	3.0	2.0
5	HSPA	PS	12.2	H-Set 1 QPSK	24 (+1.7/-5.2 db)	15/15	30/15	24/15	1.0	0.0

4.4.1 Sub-Test 1:

$\beta_c=11/15$, $\beta_d=15/15$, $\beta_{hs}=22/15$, $\beta_{ec}=209/225$, $\beta_{ed}=1039/225$, AG=20, 1xSF4, E-TFCI=75.

Frequency (MHz)	Channel	Power (dBm)	
		RMS	Peak
826.4	4132	22.12	25.7
836.4	4182	22.03	25.9
846.6	4233	21.99	26.0
1852.4	9262	22.21	26.0
1880.0	9400	22.11	25.8
1907.5	9538	22.15	25.9

© 2007 Sierra Wireless, Inc.

The contents of this page are subject to the confidentiality information on page one.

SIERRA WIRELESS, INC.

4.4.2 Sub-Test 2:

$\beta_c=6/15$, $\beta_d=15/15$, $\beta_{hs}=12/15$, $\beta_{ec}=12/15$, $\beta_{ed}=94/75$, AG=12, 1xSF4, E-TFCI=67.

Frequency (MHz)	Channel	Power (dBm)	
		RMS	Peak
826.4	4132	21.95	26.0
836.4	4182	22.07	25.9
846.6	4233	22.02	25.8
1852.4	9262	22.11	26.0
1880.0	9400	22.05	26.1
1907.5	9538	21.98	25.9

4.4.3 Sub-Test 3:

$\beta_c=15/15$, $\beta_d=15/15$, $\beta_{hs}=30/15$, $\beta_{ec}=30/15$, $\beta_{ed}=47/15$, AG=15, 2xSF4. E-TFCI=92,
Note: # of Reference E-TFCI=2.

Frequency (MHz)	Channel	Power (dBm)	
		RMS	Peak
826.4	4132	21.99	25.9
836.4	4182	21.87	26.0
846.6	4233	21.84	26.1
1852.4	9262	21.91	25.9
1880.0	9400	21.87	25.9
1907.5	9538	21.85	26.1

4.4.4 Sub-Test 4:

$\beta_c=2/15$, $\beta_d=15/15$, $\beta_{hs}=4/15$, $\beta_{ec}=2/15$, $\beta_{ed}=56/75$, AG=17, 1xSF4, E-TFCI=71.

Frequency (MHz)	Channel	Power (dBm)	
		RMS	Peak
826.4	4132	22.09	26.0
836.4	4182	22.12	25.9
846.6	4233	22.19	25.9
1852.4	9262	22.15	25.8
1880.0	9400	22.17	25.9
1907.5	9538	22.11	26.0

4.4.5 Sub-Test 5:

$\beta_c=15/15$, $\beta_d=15/15$, $\beta_{hs}=30/15$, $\beta_{ec}=24/15$, $\beta_{ed}=134/15$, AG=21, 1xSF4, E-TFCI=81.

Frequency (MHz)	Channel	Power (dBm)	
		RMS	Peak
826.4	4132	22.19	25.8
836.4	4182	22.17	25.9
846.6	4233	22.06	26.0
1852.4	9262	22.09	25.8
1880.0	9400	22.15	25.9
1907.5	9538	22.19	26.0

SIERRA WIRELESS, INC.

FCC Test Report	FCC ID: N7NMC8781	Sept 20, 2007	Page 9 of 12
-----------------	-------------------	---------------	--------------

5 CMU200 Settings for all Tests Completed

UE Power Control Settings

Maximum allowable UE-Power = 24.0 dBm

UL Target Power = 24.0 dBm

Node B Settings

Primary Scrambling Code = 9

Output Channel Power = -51.7 dBm

OCNS = Off

Total Output Power (Ior+Ioc) = -51.7 dBm

RMC Settings

Reference Channel Type: 12.2 kbps Downlink/Uplink DL DTCH Transport Format: 12.2

kbps DL Resources in Use: 100 % UL CRC (Sym. Loop Mode 2): Off

Test Mode: Loop Mode 2 Channel Data Source DTCH: PRBS9

Voice Settings

Voice Source: Echo

Loopback Type: Off

Adaptive Multirate Settings

Active Code Set: Selection A

Codec Mode: 12.2 kbps

Signaling RAB Settings

SRB Cell DCH: 3.4 kbps

BS Down Link Physical Channels Settings

Ior = -51.7 dBm

P-CPICH = -3.3 dB

P-SCH = -8.3 dB

S-SCH = -8.3 dB

P-CCPCH = -5.3 dB

S-CCPCH = -5.3 dB

S-CCPCH Channel Code = 2

PICH = -8.3 dB

PICH Channel Code = 3

AICH = -8.3 dB

AICH Channel Code = 6

DPDCH = -10.3 dB

DPDCH Channel Code = 96

© 2007 Sierra Wireless, Inc.

The contents of this page are subject to the confidentiality information on page one.

SIERRA WIRELESS, INC.

FCC Test Report	FCC ID: N7NMC8781	Sept 20, 2007	Page 10 of 12
-----------------	-------------------	---------------	---------------

Power Offset (DPCCH/DPDCH) = 0.0 dB
DL DPCH Timing Offset = 0
Secondary Scrambling Code = 0
Secondary Scrambling Code (HSDPA) = 0
HSDPA Channels = On

TPC Settings

Algorithm = 2
TPC Step Size = 1dB
TPC Pattern Setup = Set 1 (All 1, after linked to get maximum power)

HSDPA Mode Settings:

Node B Settings

Primary Scrambling Code = 9
Output Channel Power = -86 dBm
OCNS = Off
Total Output Power (I_{or}+I_{oc}) = -86 dBm

Network Settings

Packet Switched Domain = ON

HSDPA Test Mode Settings

Radiobearer Setup = RMC 12.2 kbps + HSPDA
RMC Test Loop = Loop Mode 1 RLC TM

HSDPA HS-DSCH

CQI Feedback Cycle = 4ms
CQI Repetition Factor = 2
ACK/NACK Repetition Factor = 3
UE Category = 8
Channel Configuration Type = FRC
H-Set Selection = H-Set 1 QPSK
RV Coding Sequence {0,2,5,6}

HSDPA Gain Factors are set according to each specific sub-test in table C.10.1.4 of 3GPP TS 34.121.

SIERRA WIRELESS, INC.

FCC Test Report	FCC ID: N7NMC8781	Sept 20, 2007	Page 11 of 12
-----------------	-------------------	---------------	---------------

HSPA Mode Settings:

UE Power Control Settings

Maximum allowable UE-Power = 24.0 dBm

UL Target Power: Set according to each specific sub-test in table 5.2B.5 of 3GPP TS 34.121 less 5db for starting point.

UE Packet Data Gain Factors

Bc and Bd: *

Δ ACK, Δ NACK, Δ CQI=8

HSUPA

E-DCH Physical Layer Category = 5

E-TFCI Table Index = 1

Minimum Set E-TFCI = 1*

Maximum Channelisation Code: 1xSF4 or 2xSF4*

Initial Service Grant: *

UE Gain Factors

Δ E-DPCCH: *

Number of Reference E-TFCIs: **

Reference E-TFCI's: **

E-TFCI Power offsets: **

Node B Settings

Primary Scrambling Code = 9

Output Channel Power = -86 dBm

OCNS = Off

Total Output Power (Ior+Ioc) = -86 dBm

Paket Switched

DCH Type: HSUPA Test Mode

Data Rate: HSDPA/HSUPA

HSDPA Test Mode Settings

Radiobearer Setup = RMC 12.2kbps + HSDPA

RMC Test Loop = Loop Mode 1 RLC TM

HSDPA HS-DSCH

CQI Feedback Cycle = 4ms

CQI Repetition Factor = 2

ACK/NACK Repetition Factor = 3

UE Category = 8

Channel Configuration Type = FRC

H-Set Selection = H-Set 1 QPSK

RV Coding Sequence {0,2,5,6}

© 2007 Sierra Wireless, Inc.

The contents of this page are subject to the confidentiality information on page one.

SIERRA WIRELESS, INC.

FCC Test Report	FCC ID: N7NMC8781	Sept 20, 2007	Page 12 of 12
-----------------	-------------------	---------------	---------------

HSUPA Test Mode Settings

Radiobearer Setup = SRB 3.4 + HSPA

HSUPA Settings

TTI mode: 10ms

E-AGCH

Pattern Length: 1

AG Value: *

Downlink Physical Channels

HSUPA Channels: On

E-AGCH: -6.0db

E-AGCH Chan. Code: 6

E-RGCH/E-HICH: -5.0db

E-RGCH Active: Off

E-RGCH/E-HICH Chan. Code: 6

*Set according to each specific sub-test in table C.11.1.3 of 3GPP TS 34.121.

** Set according to each specific sub-test in table 5.2B.2/3 of 3GPP TS 34.121.

6 Conclusion

The test results shown above demonstrate that the output power in Rel 6 HSPA mode is not higher than in Rel 99 WCDMA mode or Rel 5 HSDPA mode, therefore the RF exposure conditions included in the initial filing remain unchanged.