

Test Laboratory: Compliance Certification Services

## Panasonic CF-29

DUT: AC880U; Type: USB modem; Serial: N/A

Communication System: PCS 1900; Frequency: 1880 MHz; Duty Cycle: 1:2  
 Medium parameters used:  $f = 1880$  MHz;  $\sigma = 1.44$  mho/m;  $\epsilon_r = 51.8$ ;  $\rho = 1000$  kg/m<sup>3</sup>  
 Phantom section: Flat Section

Room Ambient Temperature: 23.0 deg. C; Liquid Temperature: 22.0 deg. C

DASY4 Configuration:

- Area Scan setting - Find Secondary Maximum Within: 2.0 dB and with peak SAR value greater than 0.0012W/kg
- Probe: EX3DV4 - SN3554; ConvF(6.61, 6.61, 6.61); Calibrated: 4/24/2007
- Sensor-Surface: 4mm (Mechanical Surface Detection)
- Electronics: DAE3 Sn427; Calibrated: 11/16/2006
- Phantom: SAM 2; Type: SAM 2; Serial: 1050
- Measurement SW: DASY4, V4.7 Build 53; Postprocessing SW: SEMCAD, V1.8 Build 172

**Position 1 - GPRS 4 Slots - M ch/Area Scan (7x9x1):** Measurement grid: dx=15mm, dy=15mm  
 Maximum value of SAR (measured) = 0.769 mW/g

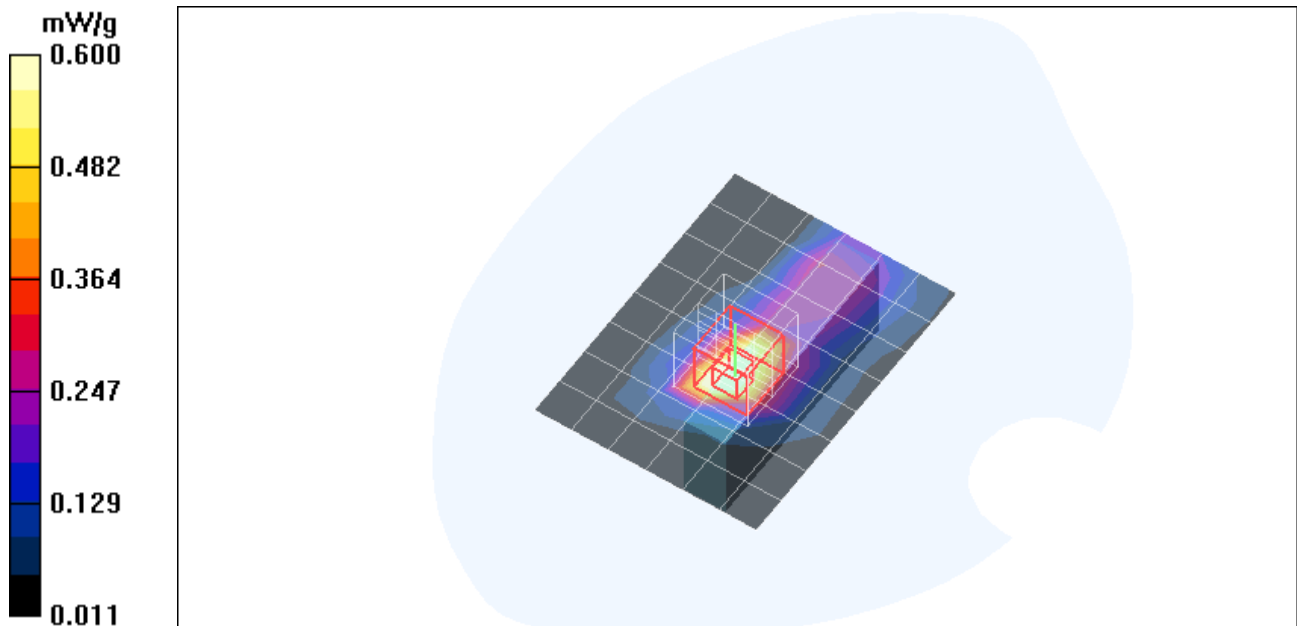
**Position 1 - GPRS 4 Slots - M ch/Zoom Scan (5x5x7)/Cube 0:** Measurement grid: dx=7.5mm, dy=7.5mm, dz=5mm

Reference Value = 13.9 V/m; Power Drift = 0.174 dB

Peak SAR (extrapolated) = 1.29 W/kg

**SAR(1 g) = 0.738 mW/g; SAR(10 g) = 0.388 mW/g**

Maximum value of SAR (measured) = 0.832 mW/g



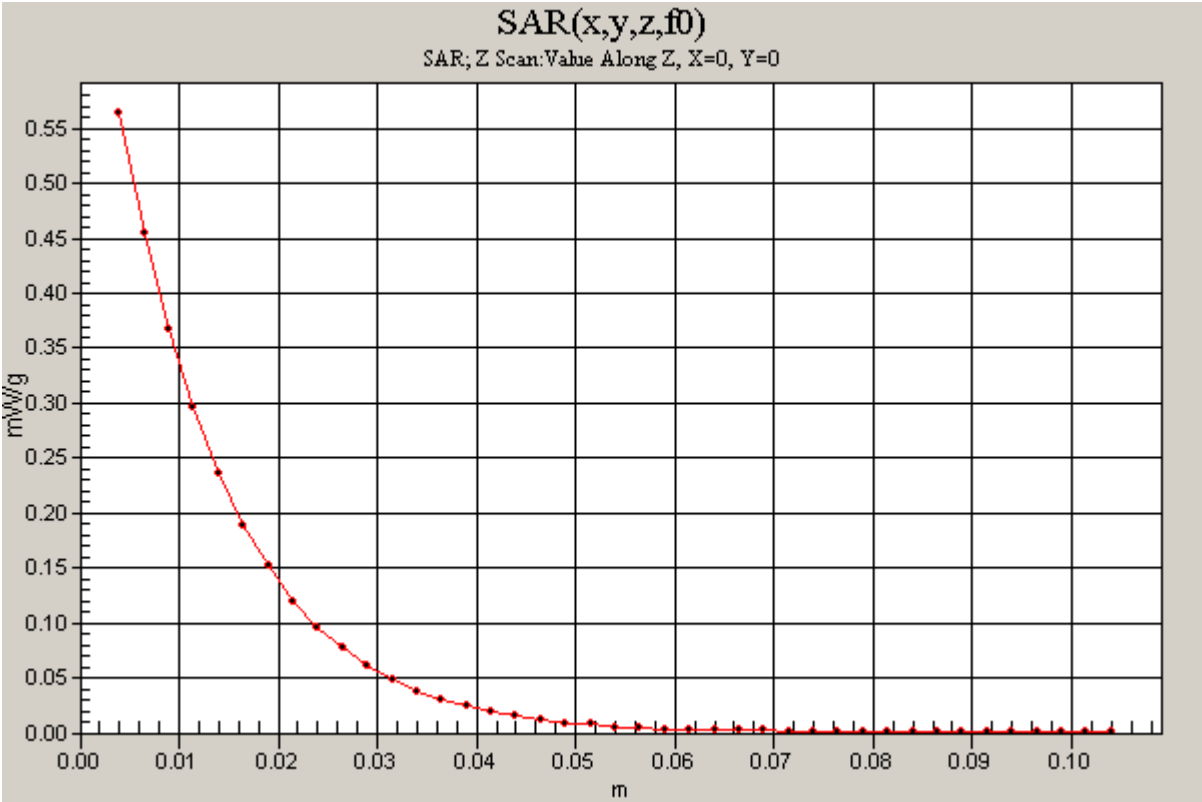
Test Laboratory: Compliance Certification Services

### Panasonic CF-29

DUT: AC880U; Type: USB modem; Serial: N/A

Communication System: PCS 1900; Frequency: 1880 MHz;Duty Cycle: 1:2

**Position 1 - GPRS 4 Slots - M ch/Z Scan (1x1x41):** Measurement grid: dx=20mm, dy=20mm, dz=2.5mm  
Maximum value of SAR (measured) = 0.564 mW/g



Test Laboratory: Compliance Certification Services

### Panasonic CF-29

DUT: AC880U; Type: USB modem; Serial: N/A

Communication System: PCS 1900; Frequency: 1880 MHz; Duty Cycle: 1:1  
Medium parameters used:  $f = 1880 \text{ MHz}$ ;  $\sigma = 1.44 \text{ mho/m}$ ;  $\epsilon_r = 51.8$ ;  $\rho = 1000 \text{ kg/m}^3$   
Phantom section: Flat Section

Room Ambient Temperature: 23.0 deg. C; Liquid Temperature: 22.0 deg. C

DASY4 Configuration:

- Area Scan setting - Find Secondary Maximum Within: 2.0 dB and with peak SAR value greater than 0.0012W/kg
- Probe: EX3DV4 - SN3554; ConvF(6.61, 6.61, 6.61); Calibrated: 4/24/2007
- Sensor-Surface: 4mm (Mechanical Surface Detection)
- Electronics: DAE3 Sn427; Calibrated: 11/16/2006
- Phantom: SAM 2; Type: SAM 2; Serial: 1050
- Measurement SW: DASY4, V4.7 Build 53; Postprocessing SW: SEMCAD, V1.8 Build 172

**Position 1 - WCDMA - M ch/Area Scan (7x9x1):** Measurement grid: dx=15mm, dy=15mm

Maximum value of SAR (measured) = 0.493 mW/g

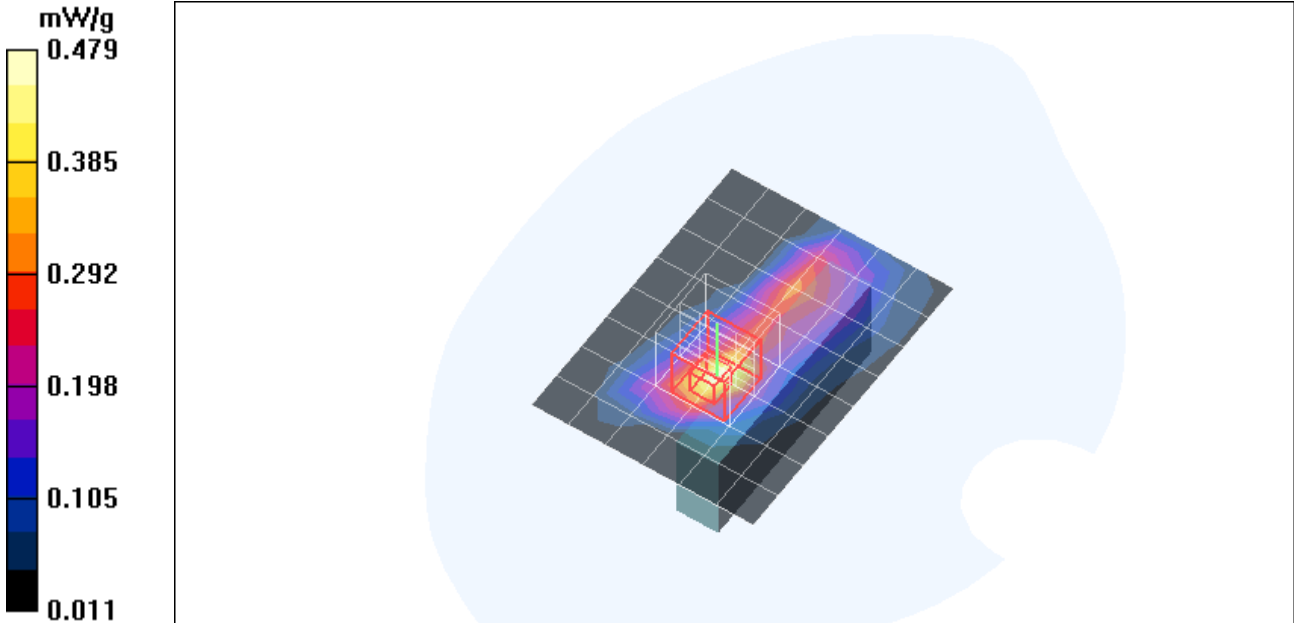
**Position 1 - WCDMA - M ch/Zoom Scan (5x5x7)/Cube 0:** Measurement grid: dx=7.5mm, dy=7.5mm, dz=5mm

Reference Value = 10.9 V/m; Power Drift = 0.104 dB

Peak SAR (extrapolated) = 0.738 W/kg

**SAR(1 g) = 0.437 mW/g; SAR(10 g) = 0.238 mW/g**

Maximum value of SAR (measured) = 0.479 mW/g



Test Laboratory: Compliance Certification Services

## Panasonic CF-29

DUT: AC880U; Type: USB modem; Serial: N/A

Communication System: PCS 1900; Frequency: 1880 MHz; Duty Cycle: 1:2  
 Medium parameters used:  $f = 1880$  MHz;  $\sigma = 1.44$  mho/m;  $\epsilon_r = 51.8$ ;  $\rho = 1000$  kg/m<sup>3</sup>  
 Phantom section: Flat Section

Room Ambient Temperature: 23.0 deg. C; Liquid Temperature: 22.0 deg. C

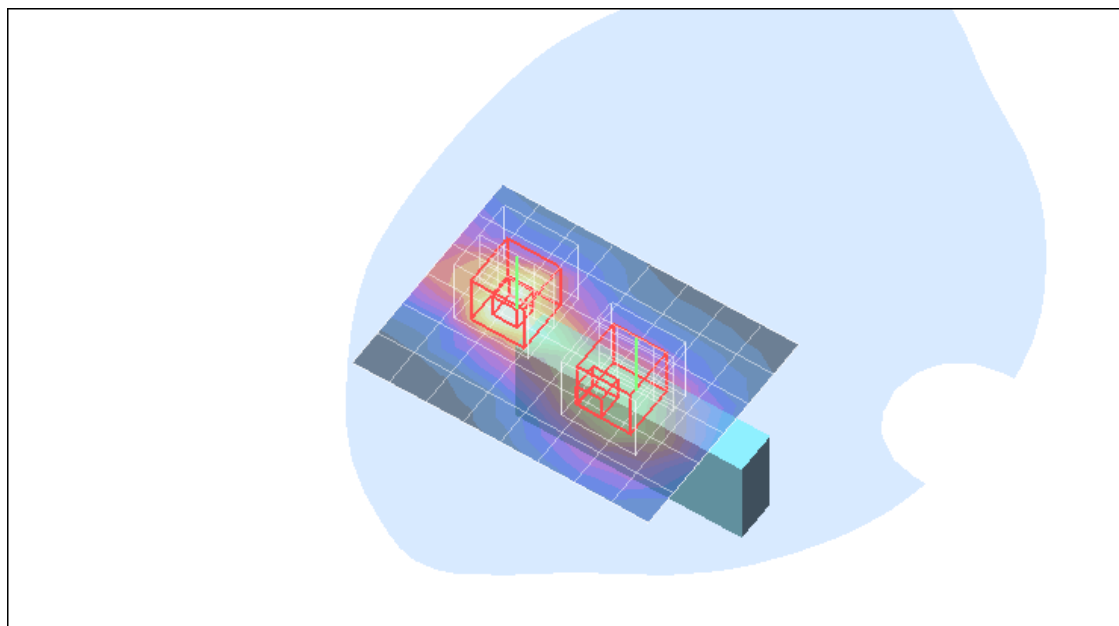
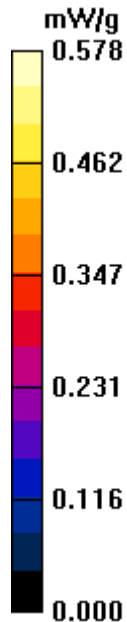
DASY4 Configuration:

- Area Scan setting - Find Secondary Maximum Within: 2.0 dB and with peak SAR value greater than 0.0012W/kg
- Probe: EX3DV4 - SN3554; ConvF(6.61, 6.61, 6.61); Calibrated: 4/24/2007
- Sensor-Surface: 4mm (Mechanical Surface Detection)
- Electronics: DAE3 Sn427; Calibrated: 11/16/2006
- Phantom: SAM 2; Type: SAM 2; Serial: 1050
- Measurement SW: DASY4, V4.7 Build 53; Postprocessing SW: SEMCAD, V1.8 Build 172

**Position 2 - GPRS 4 Slots - M ch/Area Scan (9x7x1):** Measurement grid: dx=15mm, dy=15mm  
 Maximum value of SAR (measured) = 0.641 mW/g

**Position 2 - GPRS 4 Slots - M ch/Zoom Scan (5x5x7)/Cube 0:** Measurement grid: dx=7.5mm, dy=7.5mm, dz=5mm  
 Reference Value = 3.02 V/m; Power Drift = 0.060 dB  
 Peak SAR (extrapolated) = 1.05 W/kg  
**SAR(1 g) = 0.636 mW/g; SAR(10 g) = 0.366 mW/g**  
 Maximum value of SAR (measured) = 0.703 mW/g

**Position 2 - GPRS 4 Slots - M ch/Zoom Scan (5x5x7)/Cube 1:** Measurement grid: dx=7.5mm, dy=7.5mm, dz=5mm  
 Reference Value = 3.02 V/m; Power Drift = 0.060 dB  
 Peak SAR (extrapolated) = 1.98 W/kg  
**SAR(1 g) = 0.652 mW/g; SAR(10 g) = 0.278 mW/g**  
 Maximum value of SAR (measured) = 0.578 mW/g



Test Laboratory: Compliance Certification Services

## Panasonic CF-29

DUT: AC880U; Type: USB modem; Serial: N/A

Communication System: PCS 1900; Frequency: 1880 MHz; Duty Cycle: 1:1  
Medium parameters used:  $f = 1880$  MHz;  $\sigma = 1.44$  mho/m;  $\epsilon_r = 51.8$ ;  $\rho = 1000$  kg/m<sup>3</sup>  
Phantom section: Flat Section

Room Ambient Temperature: 23.0 deg. C; Liquid Temperature: 22.0 deg. C

DASY4 Configuration:

- Area Scan setting - Find Secondary Maximum Within: 2.0 dB and with peak SAR value greater than 0.0012W/kg
- Probe: EX3DV4 - SN3554; ConvF(6.61, 6.61, 6.61); Calibrated: 4/24/2007
- Sensor-Surface: 4mm (Mechanical Surface Detection)
- Electronics: DAE3 Sn427; Calibrated: 11/16/2006
- Phantom: SAM 2; Type: SAM 2; Serial: 1050
- Measurement SW: DASY4, V4.7 Build 53; Postprocessing SW: SEMCAD, V1.8 Build 172

**Position 2 - WCDMA - M ch/Area Scan (9x7x1):** Measurement grid: dx=15mm, dy=15mm  
Maximum value of SAR (measured) = 0.373 mW/g

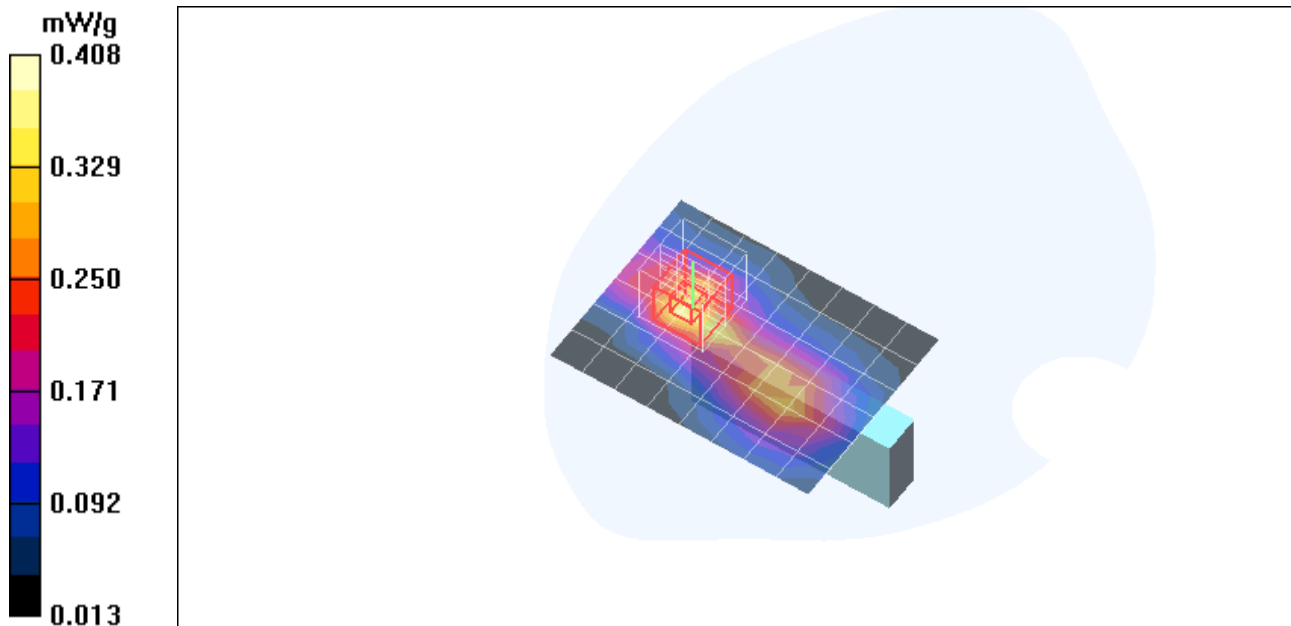
**Position 2 - WCDMA - M ch/Zoom Scan (5x5x7)/Cube 0:** Measurement grid: dx=7.5mm, dy=7.5mm, dz=5mm

Reference Value = 1.88 V/m; Power Drift = 0.072 dB

Peak SAR (extrapolated) = 0.610 W/kg

**SAR(1 g) = 0.371 mW/g; SAR(10 g) = 0.214 mW/g**

Maximum value of SAR (measured) = 0.408 mW/g



Test Laboratory: Compliance Certification Services

## Toshiba Satellite

DUT: AC880U; Type: USB modem; Serial: N/A

Communication System: PCS 1900; Frequency: 1880 MHz; Duty Cycle: 1:2  
 Medium parameters used:  $f = 1880$  MHz;  $\sigma = 1.44$  mho/m;  $\epsilon_r = 51.8$ ;  $\rho = 1000$  kg/m<sup>3</sup>  
 Phantom section: Flat Section

Room Ambient Temperature: 23.0 deg. C; Liquid Temperature: 22.0 deg. C

DASY4 Configuration:

- Area Scan setting - Find Secondary Maximum Within: 2.0 dB and with peak SAR value greater than 0.0012W/kg
- Probe: EX3DV4 - SN3554; ConvF(6.61, 6.61, 6.61); Calibrated: 4/24/2007
- Sensor-Surface: 4mm (Mechanical Surface Detection)
- Electronics: DAE3 Sn427; Calibrated: 11/16/2006
- Phantom: SAM 2; Type: SAM 2; Serial: 1050
- Measurement SW: DASY4, V4.7 Build 53; Postprocessing SW: SEMCAD, V1.8 Build 172

**Vertical - GPRS 4 Slots - M ch/Area Scan (10x10x1):** Measurement grid: dx=15mm, dy=15mm  
 Maximum value of SAR (measured) = 0.163 mW/g

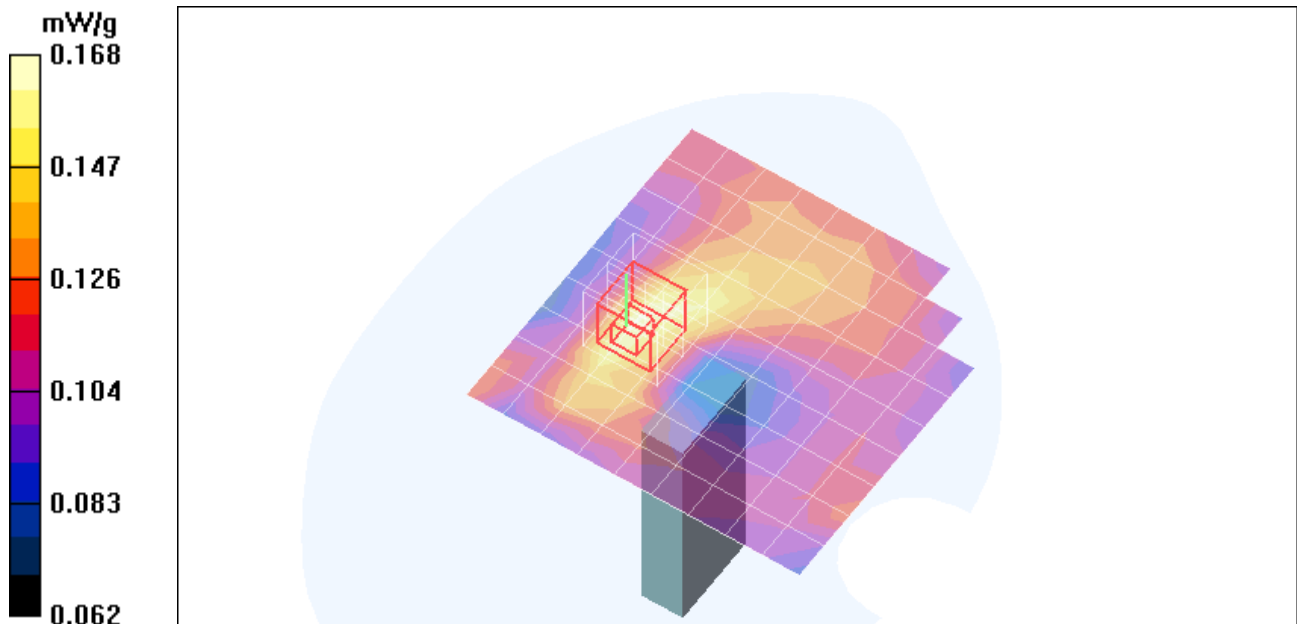
**Vertical - GPRS 4 Slots - M ch/Zoom Scan (5x5x7)/Cube 0:** Measurement grid: dx=7.5mm, dy=7.5mm, dz=5mm

Reference Value = 8.90 V/m; Power Drift = 0.031 dB

Peak SAR (extrapolated) = 0.217 W/kg

**SAR(1 g) = 0.159 mW/g; SAR(10 g) = 0.121 mW/g**

Maximum value of SAR (measured) = 0.168 mW/g



Test Laboratory: Compliance Certification Services

## Toshiba Satellite

DUT: AC880U; Type: USB modem; Serial: N/A

Communication System: PCS 1900; Frequency: 1880 MHz; Duty Cycle: 1:1  
Medium parameters used:  $f = 1880$  MHz;  $\sigma = 1.44$  mho/m;  $\epsilon_r = 51.8$ ;  $\rho = 1000$  kg/m<sup>3</sup>  
Phantom section: Flat Section

Room Ambient Temperature: 23.0 deg. C; Liquid Temperature: 22.0 deg. C

DASY4 Configuration:

- Area Scan setting - Find Secondary Maximum Within: 2.0 dB and with peak SAR value greater than 0.0012W/kg
- Probe: EX3DV4 - SN3554; ConvF(6.61, 6.61, 6.61); Calibrated: 4/24/2007
- Sensor-Surface: 4mm (Mechanical Surface Detection)
- Electronics: DAE3 Sn427; Calibrated: 11/16/2006
- Phantom: SAM 2; Type: SAM 2; Serial: 1050
- Measurement SW: DASY4, V4.7 Build 53; Postprocessing SW: SEMCAD, V1.8 Build 172

**Vertical - WCDMA - M ch/Area Scan (9x12x1):** Measurement grid: dx=15mm, dy=15mm  
Maximum value of SAR (measured) = 0.147 mW/g

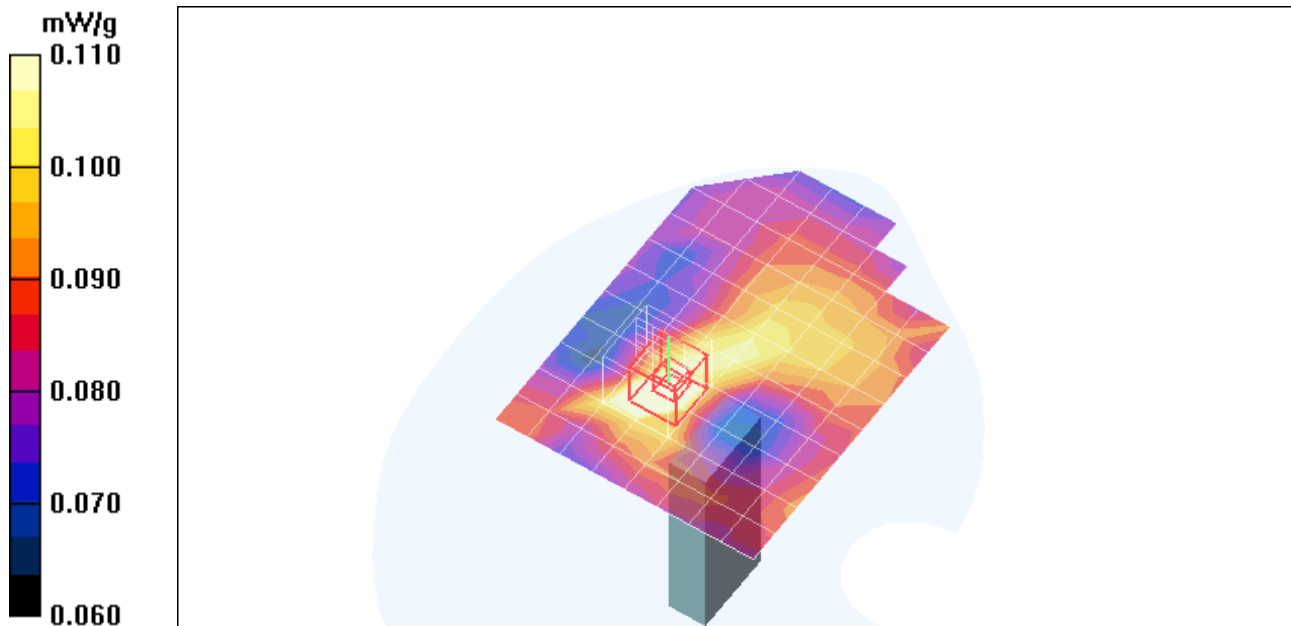
**Vertical - WCDMA - M ch/Zoom Scan (5x5x7)/Cube 0:** Measurement grid: dx=7.5mm, dy=7.5mm, dz=5mm

Reference Value = 7.88 V/m; Power Drift = 0.125 dB

Peak SAR (extrapolated) = 0.144 W/kg

**SAR(1 g) = 0.107 mW/g; SAR(10 g) = 0.089 mW/g**

Maximum value of SAR (measured) = 0.110 mW/g



Test Laboratory: Compliance Certification Services

## Toshiba Satellite

DUT: AC880U; Type: USB modem; Serial: N/A

Communication System: PCS 1900; Frequency: 1880 MHz; Duty Cycle: 1:2  
 Medium parameters used:  $f = 1880$  MHz;  $\sigma = 1.44$  mho/m;  $\epsilon_r = 51.8$ ;  $\rho = 1000$  kg/m<sup>3</sup>  
 Phantom section: Flat Section

Room Ambient Temperature: 23.0 deg. C; Liquid Temperature: 22.0 deg. C

DASY4 Configuration:

- Area Scan setting - Find Secondary Maximum Within: 2.0 dB and with peak SAR value greater than 0.0012W/kg
- Probe: EX3DV4 - SN3554; ConvF(6.61, 6.61, 6.61); Calibrated: 4/24/2007
- Sensor-Surface: 4mm (Mechanical Surface Detection)
- Electronics: DAE3 Sn427; Calibrated: 11/16/2006
- Phantom: SAM 2; Type: SAM 2; Serial: 1050
- Measurement SW: DASY4, V4.7 Build 53; Postprocessing SW: SEMCAD, V1.8 Build 172

**Horizontal - GPRS 4 Slots - M ch/Area Scan (9x11x1):** Measurement grid: dx=15mm, dy=15mm  
 Maximum value of SAR (measured) = 0.484 mW/g

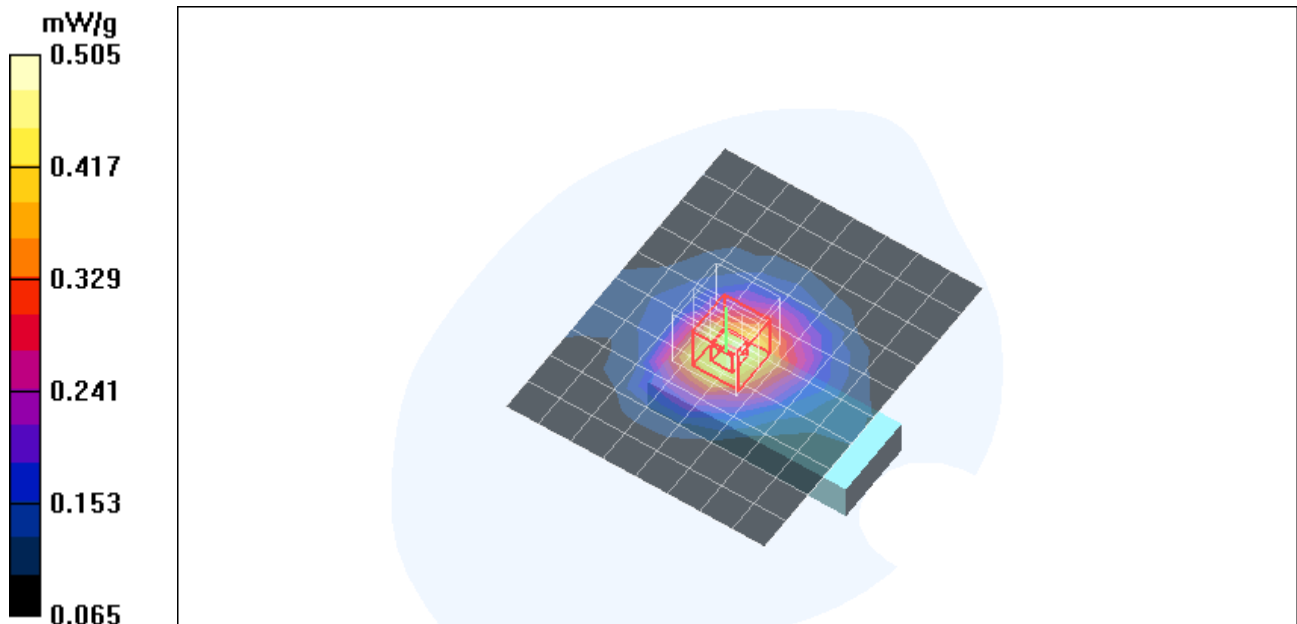
**Horizontal - GPRS 4 Slots - M ch/Zoom Scan (5x5x7)/Cube 0:** Measurement grid: dx=7.5mm, dy=7.5mm, dz=5mm

Reference Value = 14.7 V/m; Power Drift = 0.094 dB

Peak SAR (extrapolated) = 0.686 W/kg

**SAR(1 g) = 0.470 mW/g; SAR(10 g) = 0.312 mW/g**

Maximum value of SAR (measured) = 0.505 mW/g





Test Laboratory: Compliance Certification Services

## Toshiba Satellite

DUT: AC880U; Type: USB modem; Serial: N/A

Communication System: PCS 1900; Frequency: 1880 MHz; Duty Cycle: 1:1  
 Medium parameters used:  $f = 1880$  MHz;  $\sigma = 1.44$  mho/m;  $\epsilon_r = 51.8$ ;  $\rho = 1000$  kg/m<sup>3</sup>  
 Phantom section: Flat Section

Room Ambient Temperature: 23.0 deg. C; Liquid Temperature: 22.0 deg. C

DASY4 Configuration:

- Area Scan setting - Find Secondary Maximum Within: 2.0 dB and with peak SAR value greater than 0.0012W/kg
- Probe: EX3DV4 - SN3554; ConvF(6.61, 6.61, 6.61); Calibrated: 4/24/2007
- Sensor-Surface: 4mm (Mechanical Surface Detection)
- Electronics: DAE3 Sn427; Calibrated: 11/16/2006
- Phantom: SAM 2; Type: SAM 2; Serial: 1050
- Measurement SW: DASY4, V4.7 Build 53; Postprocessing SW: SEMCAD, V1.8 Build 172

**Horizontal - WCDMA - M ch/Area Scan (9x9x1):** Measurement grid: dx=15mm, dy=15mm

Maximum value of SAR (measured) = 0.290 mW/g

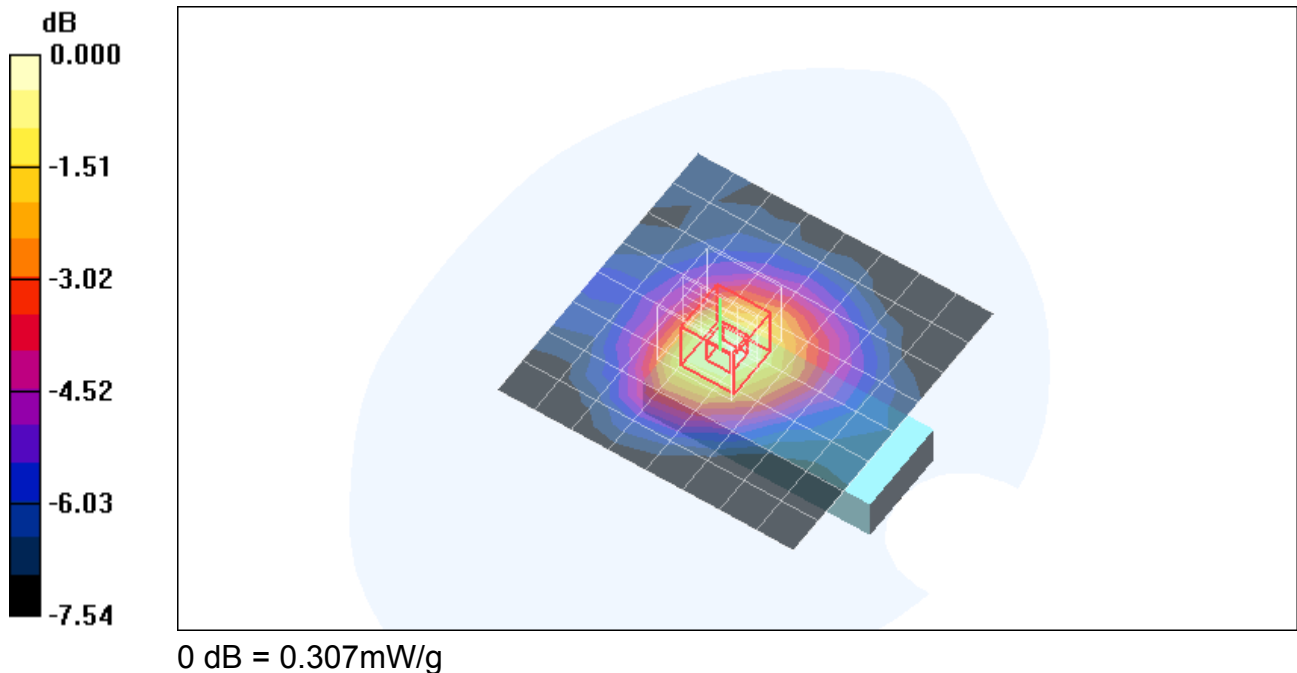
**Horizontal - WCDMA - M ch/Zoom Scan (5x5x7)/Cube 0:** Measurement grid: dx=7.5mm, dy=7.5mm, dz=5mm

Reference Value = 12.0 V/m; Power Drift = 0.027 dB

Peak SAR (extrapolated) = 0.415 W/kg

**SAR(1 g) = 0.288 mW/g; SAR(10 g) = 0.196 mW/g**

Maximum value of SAR (measured) = 0.307 mW/g



Test Laboratory: Compliance Certification Services

## Compaq Presario

DUT: AC880U; Type: USB modem; Serial: N/A

Communication System: PCS 1900; Frequency: 1880 MHz; Duty Cycle: 1:2  
 Medium parameters used:  $f = 1880 \text{ MHz}$ ;  $\sigma = 1.44 \text{ mho/m}$ ;  $\epsilon_r = 51.8$ ;  $\rho = 1000 \text{ kg/m}^3$

Phantom section: Flat Section

Room Ambient Temperature: 23.0 deg. C; Liquid Temperature: 22.0 deg. C

DASY4 Configuration:

- Area Scan setting - Find Secondary Maximum Within: 2.0 dB and with peak SAR value greater than 0.0012W/kg
- Probe: EX3DV4 - SN3554; ConvF(6.61, 6.61, 6.61); Calibrated: 4/24/2007
- Sensor-Surface: 4mm (Mechanical Surface Detection)
- Electronics: DAE3 Sn427; Calibrated: 11/16/2006
- Phantom: SAM 2; Type: SAM 2; Serial: 1050
- Measurement SW: DASY4, V4.7 Build 53; Postprocessing SW: SEMCAD, V1.8 Build 172

**Vertical - GPRS 2 Slots - M ch/Area Scan (9x11x1):** Measurement grid: dx=15mm, dy=15mm

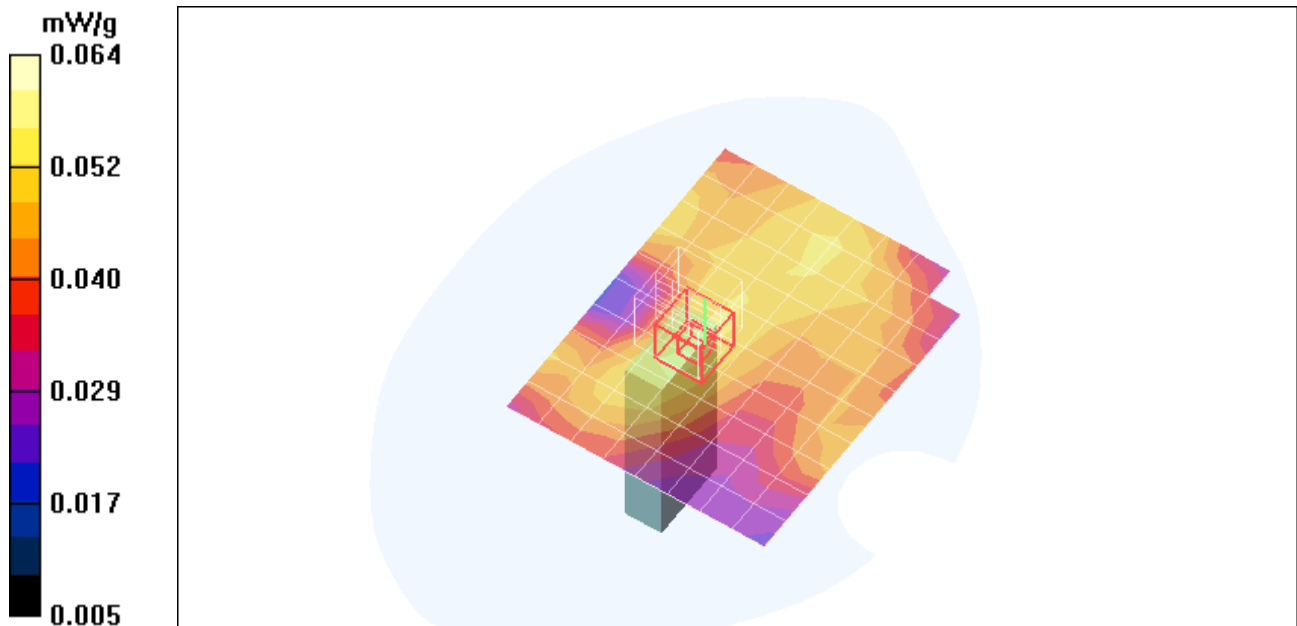
Maximum value of SAR (measured) = 0.054 mW/g

**Vertical - GPRS 2 Slots - M ch/Zoom Scan (5x5x7)/Cube 0:** Measurement grid: dx=7.5mm, dy=7.5mm, dz=5mm

Reference Value = 6.01 V/m; Power Drift = 0.055 dB

Peak SAR (extrapolated) = 0.076 W/kg

**SAR(1 g) = 0.052 mW/g; SAR(10 g) = 0.036 mW/g**



Test Laboratory: Compliance Certification Services

## Compaq Presario

DUT: AC880U; Type: USB modem; Serial: N/A

Communication System: PCS 1900; Frequency: 1880 MHz; Duty Cycle: 1:2  
 Medium parameters used:  $f = 1880 \text{ MHz}$ ;  $\sigma = 1.44 \text{ mho/m}$ ;  $\epsilon_r = 51.8$ ;  $\rho = 1000 \text{ kg/m}^3$   
 Phantom section: Flat Section

Room Ambient Temperature: 23.0 deg. C; Liquid Temperature: 22.0 deg. C

DASY4 Configuration:

- Area Scan setting - Find Secondary Maximum Within: 2.0 dB and with peak SAR value greater than 0.0012W/kg
- Probe: EX3DV4 - SN3554; ConvF(6.61, 6.61, 6.61); Calibrated: 4/24/2007
- Sensor-Surface: 4mm (Mechanical Surface Detection)
- Electronics: DAE3 Sn427; Calibrated: 11/16/2006
- Phantom: SAM 2; Type: SAM 2; Serial: 1050
- Measurement SW: DASY4, V4.7 Build 53; Postprocessing SW: SEMCAD, V1.8 Build 172

**Horizontal - GPRS 2 Slots - M ch/Area Scan (9x11x1):** Measurement grid:  $dx=15\text{mm}$ ,  $dy=15\text{mm}$   
 Maximum value of SAR (measured) = 0.374 mW/g

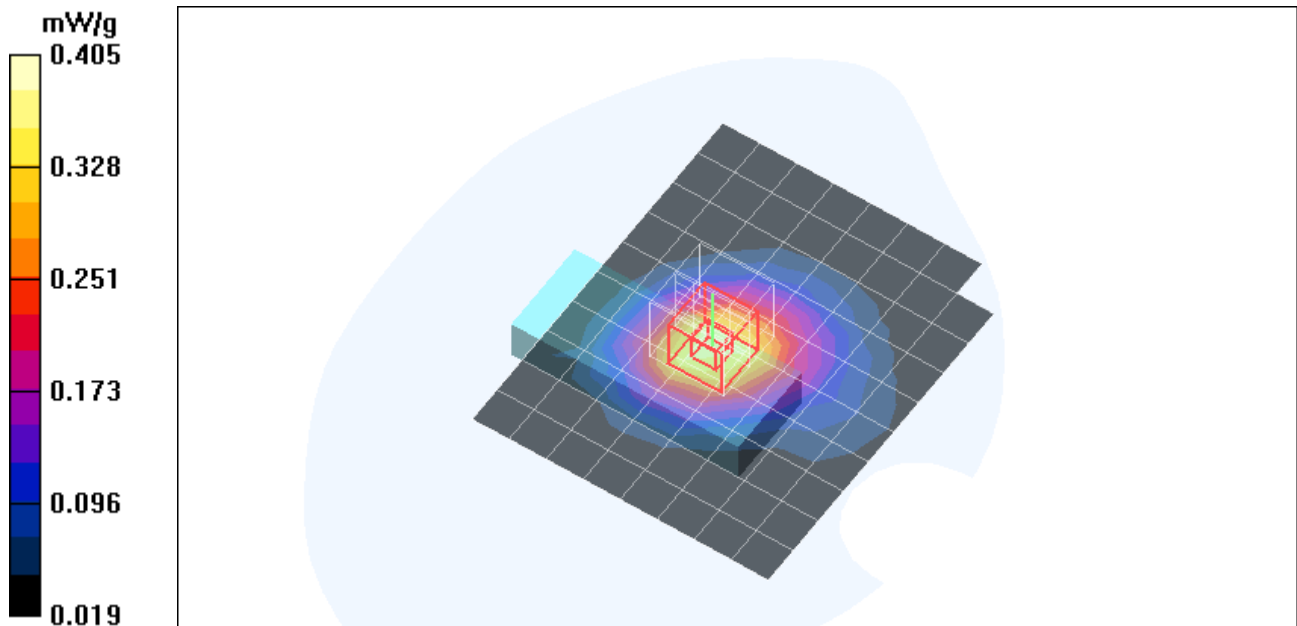
**Horizontal - GPRS 2 Slots - M ch/Zoom Scan (5x5x7)/Cube 0:** Measurement grid:  $dx=7.5\text{mm}$ ,  
 $dy=7.5\text{mm}$ ,  $dz=5\text{mm}$

Reference Value = 13.1 V/m; Power Drift = 0.004 dB

Peak SAR (extrapolated) = 0.546 W/kg

**SAR(1 g) = 0.375 mW/g; SAR(10 g) = 0.242 mW/g**

Maximum value of SAR (measured) = 0.405 mW/g



Test Laboratory: Compliance Certification Services

## Compaq Presario

DUT: AC880U; Type: USB modem; Serial: N/A

Communication System: PCS 1900; Frequency: 1880 MHz; Duty Cycle: 1:1

Medium parameters used:  $f = 1880$  MHz;  $\sigma = 1.44$  mho/m;  $\epsilon_r = 51.8$ ;  $\rho = 1000$  kg/m<sup>3</sup>

Phantom section: Flat Section

Room Ambient Temperature: 23.0 deg. C; Liquid Temperature: 22.0 deg. C

DASY4 Configuration:

- Area Scan setting - Find Secondary Maximum Within: 2.0 dB and with peak SAR value greater than 0.0012W/kg
- Probe: EX3DV4 - SN3554; ConvF(6.61, 6.61, 6.61); Calibrated: 4/24/2007
- Sensor-Surface: 4mm (Mechanical Surface Detection)
- Electronics: DAE3 Sn427; Calibrated: 11/16/2006
- Phantom: SAM 2; Type: SAM 2; Serial: 1050
- Measurement SW: DASY4, V4.7 Build 53; Postprocessing SW: SEMCAD, V1.8 Build 172

**Horizontal - WCDMA - M ch/Area Scan (9x11x1):** Measurement grid: dx=15mm, dy=15mm

Maximum value of SAR (measured) = 0.235 mW/g

**Horizontal - WCDMA - M ch/Zoom Scan (5x5x7)/Cube 0:** Measurement grid: dx=7.5mm, dy=7.5mm, dz=5mm

Reference Value = 9.55 V/m; Power Drift = 0.051 dB

Peak SAR (extrapolated) = 0.340 W/kg

**SAR(1 g) = 0.233 mW/g; SAR(10 g) = 0.151 mW/g**

Maximum value of SAR (measured) = 0.250 mW/g

