

---

## ThinkPad T60 Series supplementary regulatory notice

### Read first — regulatory information

#### Regulatory notice for ThinkPad T60 Series

This notice is a supplementary document of the *ThinkPad T60 Series Service and Troubleshooting Guide*. Please read this document before you use the ThinkPad T60 Series computer.

The ThinkPad T60 Series computer complies with the radio frequency and safety standards of any country or region in which it has been approved for wireless use. You must install and use your ThinkPad T60 Series computer in strict accordance with the instructions as described hereafter.

#### Avis de réglementation pour les ThinkPad T60 Series

Le présent avis est un document qui vient compléter le *ThinkPad T60 Series Guide de maintenance et d'identification des incidents*. Veuillez lire ce document avant d'utiliser l'ordinateur ThinkPad T60 Series.

L'ordinateur ThinkPad T60 Series est conforme aux normes de sécurité et de radiofréquence du pays ou de la région où son utilisation sans fil est agréée. Vous devez installer et utiliser votre ordinateur ThinkPad T60 Series en respectant scrupuleusement les instructions décrites ci-après.

#### Hinweis für ThinkPad T60 Series

Bei diesem Hinweis handelt es sich um ein ergänzendes Dokument für das Handbuch *ThinkPad T60 Series Service und Fehlerbehebung*. Lesen Sie vor dem Verwenden des ThinkPad T60 Series-Computers dieses Dokument.

Der ThinkPad T60 Series erfüllt die Funkfrequenz- und Sicherheitsstandards der Länder oder Regionen, in denen er für die Verwendung als drahtlose Einheit zugelassen ist. Der ThinkPad T60 Series muss entsprechend den Installationsanweisungen und entsprechend den gültigen Richtlinien für drahtlose Einheiten installiert und verwendet werden.

## **Aviso de regulación para ThinkPad T60 Series**

Este aviso es un documento adicional del manual *ThinkPad T60 Series Guía de servicio y de resolución de problemas*. Antes de utilizar el sistema ThinkPad T60 Series, lea este documento.

El sistema ThinkPad T60 Series satisface los estándares de seguridad y de frecuencia de radio de cualquier país o región en el que se haya aprobado su utilización para conexiones inalámbricas. El usuario debe instalar y utilizar el sistema ThinkPad T60 Series siguiendo estrictamente las instrucciones que se describen a continuación.

## **Informazioni importanti sul ThinkPad T60 Series**

Queste informazioni importanti costituiscono un documento integrativo della *ThinkPad T60 Series Guida all'assistenza e alla risoluzione dei problemi*. Prima di utilizzare l'elaboratore ThinkPad T60 Series, leggere il presente documento.

L'elaboratore ThinkPad T60 Series è conforme agli standard di sicurezza e di frequenza radio di ciascun paese in cui è stato approvato per l'utilizzo della tecnologia senza fili. E', quindi, necessario installare ed utilizzare l'elaboratore ThinkPad T60 Series in stretta osservanza alle istruzioni di seguito riportate.

## **Tietoja ThinkPad T60 Series- tietokoneeseen liittyvistä viranomaismääräyksistä**

Tämä asiakirja täydentää *ThinkPad T60 Series Käyttö ja vianmäärittelys* -julkaisun tietoja. Lue tämä asiakirjan sisältö, ennen kuin aloitat ThinkPad T60 Series -tietokoneen käytön.

ThinkPad T60 Series -tietokone on paikallisten radiotaajuus- ja turvallisuusstandardien mukainen niissä maissa ja niillä alueilla, joilla se on hyväksytty langattomaan yhteyskäyttöön. Käyttäjän on ehdottomasti noudatettava jäljempänä annettuja ohjeita ThinkPad T60 Series-tietokoneen asennuksen ja käytön aikana.

## **Kennisgeving inzake de veiligheid van de ThinkPad T60 Series**

Deze kennisgeving vormt een aanvulling op de *ThinkPad T60 Series Gids voor Service en Probleemoplossing*. Lees dit document alstublieft voordat u de ThinkPad T60 Series-computer in gebruik neemt.

De ThinkPad T60 Series-computer voldoet aan de veiligheidsnormen en de normen voor stralingsafgifte op radiofrequenties voor alle landen en regio's waarin draadloos gebruik van deze computer is toegestaan. Bij het installeren en gebruiken van de ThinkPad T60 Series-computer dient u de hierna beschreven instructies stipt op te volgen.

## **Bemærkning vedr. ThinkPad T60 Series-computeren**

Denne bemærkning er et supplement til bogen *Guide til service og fejlfinding*. Læs dette dokument, før du bruger ThinkPad T60 Series-computeren.

ThinkPad T60 Series-computeren overholder radiofrekvens- og sikkerhedsstandarderne i de lande og områder, hvor den er godkendt til trådløs brug. Du skal installere og bruge ThinkPad T60 Series-computeren i nøje overensstemmelse med den vejledning, der beskrives her.

## **Merknad om forskrifter for ThinkPad T60 Series**

Denne merknaden er et tillegg til opplysningene i *ThinkPad T60 Series Håndbok for service og problemløsning*. Du må lese dette dokumentet før du bruker ThinkPad T60 Series-maskinen.

ThinkPad T60 Series-maskinen er i overensstemmelse med standardene for radiofrekvenssignaler og sikkerhet i alle land eller regioner der den er godkjent for trådløs bruk. Du må installere og bruke ThinkPad T60 Series-maskinen i henhold til instruksjonene nedenfor.

## **Information om radiokommunikations- och säkerhetsnormer för ThinkPad T60 Series**

Det här dokumentet kompletterar informationen i handboken *ThinkPad T60 Series Service och felsökning*. Läs dokumentet innan du använder ThinkPad T60 Series-datorn.

ThinkPad T60 Series-datorn uppfyller radiokommunikations- och säkerhetsnormerna i de länder och regioner där datorn har blivit godkänd för trådlös användning. Du måste installera och använda ThinkPad T60 Series-datorn enligt anvisningarna nedan.

## **Aviso Regulamentar para o ThinkPad T60 Series**

Este aviso é um documento complementar do *ThinkPad T60 Series Guia de Serviços e Resolução de Problemas*. Antes de utilizar o computador ThinkPad T60 Series, leia este documento.

O computador ThinkPad T60 Series está em conformidade com os padrões de segurança e radiofrequência de todos os países ou regiões em que foi aprovado para uso sem fio. É necessário instalar e utilizar o computador ThinkPad T60 Series em conformidade total com as instruções, conforme descritas daqui em diante.

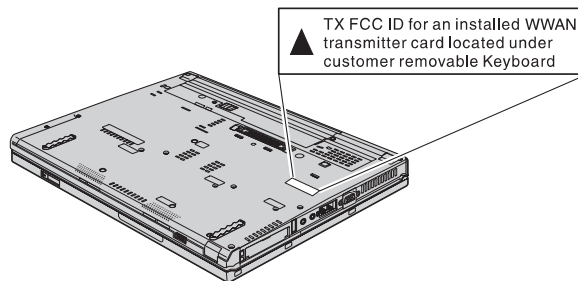
## USA — Federal Communications Commission (FCC)

If your computer integrates the Wireless WAN Adapter Model: MC8755, you may connect it to the radiocommunication Public Network in the USA.

### I. FCC ID of the wireless module

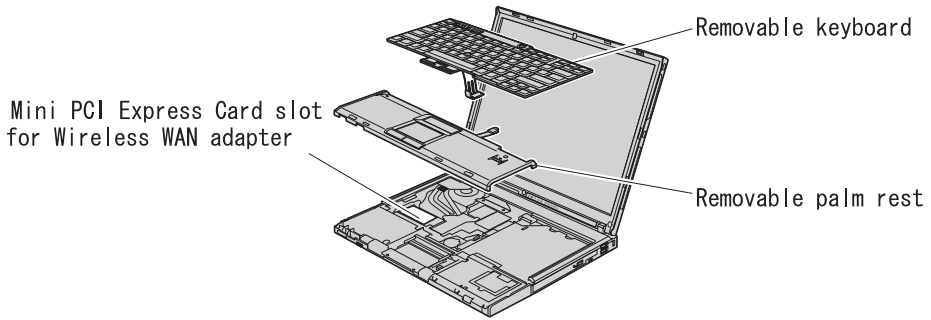
The Wireless WAN Adapter (Model: MC8755) was certified under the FCC ID: N7NMC8755, but there is no FCC ID for the card shown on the enclosure of your ThinkPad computer. Instead you will find an indicator pointing to the location of the FCC ID on the bottom side of your ThinkPad computer as shown in the figure below. The FCC ID is affixed on the approved module installed in the Mini PCI Express Card slot.

Model: MC8755



### II. Installation of the approved wireless module

If no integrated wireless WAN Mini PCI Express Card has been preinstalled in your ThinkPad computer, you can install one, provided by Lenovo as an option. Plug the wireless card option into the Mini PCI Express Card slot located under the keyboard of your ThinkPad computer as shown on the next page.

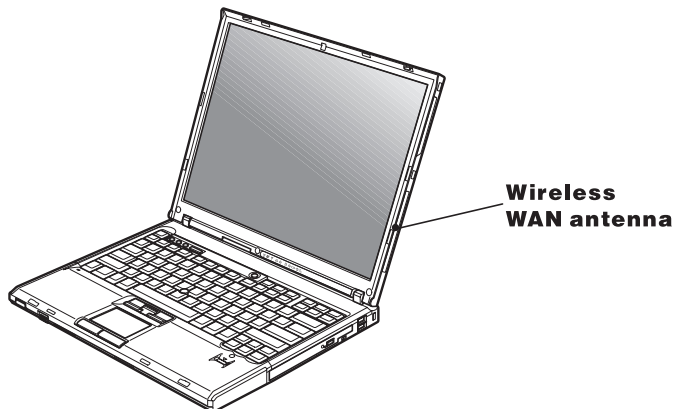


**Attention:** The ThinkPad T60 Series computer contains an authentication mechanism. If you install an unauthorized wireless WAN Mini PCI Express Card that is not approved for use in the ThinkPad T60 Series computer, the computer will not start, but only displays an error message and emits beeps.

### III. RF safety compliance

The transmission antenna used for the Wireless WAN adapter in this notebook computer is located at the lower right portion of the LCD screen. The total radiated energy from all the antennas connected to the Wireless WAN adapter (Model: MC8755), the Wireless LAN Mini PCI Express adapter (Model: AR5BXB6 ), and the Bluetooth module (Model: J07H081) conforms to the FCC limit of the SAR (Specific Absorption Rate) requirement regarding 47 CFR Part 2 section 1093. The maximum SAR values measured for the ThinkPad T60 Series computer were 0.089W/Kg at 800MHz band and 0.067W/Kg at 1.9GHz band, when the ThinkPad computer was operated in a conventional setting. The FCC limit is 1.6W/Kg.

Model: MC8755



## IV. Emergency Calls

The Wireless WAN adapters embedded in the ThinkPad T60 Series do not support voice calls, hence their use for essential communication is not possible, including emergency calls regarding the E911 rule.

## V. Simultaneous use of RF transmitters

If your ThinkPad computer contains the Model: WM3945ABG (Intel PRO/Wireless 3945ABG Network Connection), make sure that it is disabled when you are traveling in the USA, because this WLAN radio carries EU specification and is not authorized for use by the FCC.

If your ThinkPad computer contains the Model: AR5BxB6 (FCC ID: PPD-AR5BxB6) or the Bluetooth module (FCC ID: MCLJ07H081), the Wireless WAN module Model: MC8755 is approved for simultaneous use with these two radio devices.

Please make sure of the following conditions on use of these wireless features:

1. When you use any other RF option device, all other wireless features including the above integrated devices in your ThinkPad computer are required to be turned off.
2. Users must follow the RF Safety instructions on wireless option devices that are included in the RF option device's user's manual.

## Electronic emission notices

### *Federal Communications Commission (FCC) Statement*

- Model: AR5BxB6
- Model: MC8755

**Note:** The compliance of the FCC Part 15 Subpart B for Bluetooth device (Model: J07H081) was proceeded by certification, thus the FCC ID: MCLJ07H081 includes both compliances of Part 15 Subpart B and C..

This equipment has been tested and found to comply with the limits for a Class B digital device, pursuant to Part 15 of the FCC Rules. These limits are designed to provide reasonable protection against harmful interference in a residential installation. This equipment generates, uses, and can radiate radio frequency energy and, if not installed and used in accordance with the instructions, may cause harmful interference to radio communications. However, there is no guarantee that interference will not occur in a particular installation. If this equipment does cause harmful interference to radio or television reception, which can be determined by turning the equipment off and on, the user is encouraged to try to correct the interference by one or more of the following measures:

- Reorient or relocate the receiving antenna.
- Increase the separation between the equipment and receiver.

- Connect the equipment into an outlet on a circuit different from that to which the receiver is connected.
- Consult an authorized dealer or service representative for help.

Lenovo is not responsible for any radio or television interference caused by unauthorized changes or modifications to this equipment. Unauthorized changes or modifications could void the user's authority to operate the equipment.

This device complies with Part 15 of the FCC Rules. Operation is subject to the following two conditions: (1) this device may not cause harmful interference, and (2) this device must accept any interference received, including interference that may cause undesired operation.

Responsible Party:

Lenovo (United States) Inc.  
 One Manhattanville Road  
 Purchase, New York 10577  
 Telephone: (919) 254-0532



Tested To Comply  
 With FCC Standards

FOR HOME OR OFFICE USE

## Telecommunication notices

### *Federal Communications Commission (FCC) and Telephone Company Requirements (Part 68 of the FCC Rules)*

1. The Telephone Consumer Protection Act of 1991 makes it unlawful for any person to use a computer or other electronic device to send any message via a telephone fax machine unless such message clearly contains in a margin at the top or bottom of each transmitted page or on the first page of the transmission, the date and time it is sent, and an identification of the business or other entity, or other individual sending the message and the telephone number of the sending machine or such business, other entity, or individual.

In order to program this information into your computer, you should be sure to follow the installation instructions for your fax software package.

2. This equipment complies with Part 68 of the FCC rules and the requirements adopted by the ACTA. On this equipment is a label that contains, among other information, a product identifier in the format US:AAAEQ##TXXXX. If requested, this number must be provided to the telephone company.
3. The REN is used to determine the number of devices that may be connected to a telephone line. Excessive RENs on a telephone line may

result in the devices not ringing in response to an incoming call. In most but not all areas, the sum of RENs should not exceed five (5.0). To be certain of the number of devices that may be connected to a line, as determined by the total RENs, contact the local telephone company. The REN for this product is part of the product identifier that has the format US:AAAEQ##TXXXX. The digits represented by ## are the REN without a decimal point (e.g., 03 is a REN of 0.3).

4. If the built-in modem causes harm to the telephone network, the telephone company may discontinue your service temporarily. If possible, they will notify you in advance. But, if advance notice isn't practical, you will be notified as soon as possible. You will be advised of your right to file a complaint with the FCC.
5. Your telephone company may make changes in its facilities, equipment, operations, or procedures that could affect the proper operation of your equipment. If they do, you will be given advance notice so as to give you an opportunity to maintain uninterrupted service.
6. If you experience trouble with this built-in modem, contact your Lenovo Authorized Seller, or the Customer Support Center. For the most current phone numbers, go to <http://www.lenovo.com/think/support> and click Support phone list. The telephone company may ask you to disconnect this equipment from the network until the problem has been corrected, or until you are sure the equipment is not malfunctioning.
7. No customer repairs are possible to the modem. If you experience trouble with this equipment, contact your Lenovo Authorized Seller, or the Customer Support Center. For the most current phone numbers, go to <http://www.lenovo.com/think/support> and click Support phone list.
8. The modem may not be used on coin service provided by the telephone company. Connection to party lines is subject to state tariffs. Contact your state public utility commission or corporation commission for information.
9. When ordering network interface (NI) service from the Local Exchange Carrier, specify service arrangement USOC RJ11C.
10. A plug and jack used to connect this equipment to the premises wiring and telephone network must comply with the applicable FCC Part 68 rules and requirements adopted by the ACTA. A compliant telephone cord and modular plug is provided with this product. It is designed to be connected to a compatible modular jack that is also compliant. See installation instructions for details.
11. If your home has specially wired alarm equipment connected to the telephone line, ensure the installation of this Data/Fax Modem does not disable your alarm equipment. If you have questions about what will disable alarm equipment, consult your telephone company or a qualified installer.



12. The software contained in this Data/Fax Modem to allow user access to the network must be upgraded to recognize newly established network area codes and exchange codes as they are placed into service.

### **Europe — EU Declaration of Conformity for Sierra Wireless MC8755 PCI Express MiniCard**

- Hereby, Sierra Wireless, declares that this *Sierra Wireless MC8755 PCI Express MiniCard* is in compliance with the essential requirements and other relevant provisions of Directive 1999/5/EC.

The product *Sierra Wireless MC8755 PCI Express MiniCard* is for connection to VODAPHONE services *Vodafone Mobile Connect* in UK, Germany, France, Ireland, Netherlands, Spain, Italy, Portugal and Greece.

- Sierra Wireless vakuuttaa täten että *Sierra Wireless MC8755 PCI Express MiniCard* tyyppinen laite on direktiivin 1999/5/EY oleellisten vaatimusten ja sitä koskevien direktiivin muiden ehtojen mukainen.

Tuote *Sierra Wireless MC8755 PCI Express MiniCard* on tarkoitettu käytettäväksi VODAPHONE-palvelujen *Vodafone Mobile Connect* yhteydessä Isossa-Britanniassa, Saksassa, Ranskassa, Irlannissa, Alankomaissa, Espanjassa, Italiassa, Portugalissa ja Kreikassa.

- Hierbij verklaart Sierra Wireless dat het toestel *Sierra Wireless MC8755 PCI Express MiniCard* in overeenstemming is met de essentiële eisen en de andere relevante bepalingen van richtlijn 1999/5/EG.

Het product *Sierra Wireless MC8755 PCI Express MiniCard* is voor verbinding met VODAPHONE-services *Vodafone Mobile Connect* in het Verenigd Koninkrijk, Duitsland, Frankrijk, Ierland, Nederland, Spanje, Italië, Portugal en Griekenland.

- Bij deze verklaart Sierra Wireless dat deze *Sierra Wireless MC8755 PCI Express MiniCard* voldoet aan de essentiële eisen en aan de overige relevante bepalingen van Richtlijn 1999/5/EC.

Het product *Sierra Wireless MC8755 PCI Express MiniCard* is voor verbinding met VODAPHONE-services *Vodafone Mobile Connect* in het Verenigd Koninkrijk, Duitsland, Frankrijk, Ierland, Nederland, Spanje, Italië, Portugal en Griekenland.

- Par la présente Sierra Wireless déclare que l'appareil *Sierra Wireless MC8755 PCI Express MiniCard* est conforme aux exigences essentielles et aux autres dispositions pertinentes de la directive 1999/5/CE

Le produit *Sierra Wireless MC8755 PCI Express MiniCard* est destiné à la connexion aux services *Vodafone Mobile Connect* de VODAPHONE au Royaume-Uni, en Allemagne, en France, en Irlande, aux Pays-Bas, en Espagne, au Portugal et en Grèce.

- Par la présente, Sierra Wireless déclare que ce *Sierra Wireless MC8755 PCI Express MiniCard* est conforme aux exigences essentielles et aux autres dispositions de la directive 1999/5/CE qui lui sont applicables

Le produit *Sierra Wireless MC8755 PCI Express MiniCard* est destiné à la connexion aux services *Vodafone Mobile Connect* de VODAFONE au Royaume-Uni, en Allemagne, en France, en Irlande, aux Pays-Bas, en Espagne, au Portugal et en Grèce.

- Härmed intygar Sierra Wireless att denna *Sierra Wireless MC8755 PCI Express MiniCard* står i överensstämmelse med de väsentliga egenskapskrav och övriga relevanta bestämmelser som framgår av direktiv 1999/5/EG.

Produkten *Sierra Wireless MC8755 PCI Express MiniCard* är avsedd för anslutning till VODAFONE-tjänsterna *Vodafone Mobile Connect* i Storbritannien, Tyskland, Frankrike, Irland, Nederländerna, Spanien, Italien, Portugal och Grekland.

- Undertegnede Sierra Wireless erklærer herved, at følgende udstyr *Sierra Wireless MC8755 PCI Express MiniCard* overholder de væsentlige krav og øvrige relevante krav i direktiv 1999/5/EF

*Sierra Wireless MC8755 PCI Express MiniCard* bruges til at oprette forbindelse til VODAFONE-tjenesterne *Vodafone Mobile Connect* i Storbritannien, Tyskland, Frankrig, Irland, Holland, Spanien, Italien, Portugal og Grækenland.

- Hiermit erklärt Sierra Wireless, dass sich *Sierra Wireless MC8755 PCI Express MiniCard* in Übereinstimmung mit den grundlegenden Anforderungen und den anderen relevanten Vorschriften der Richtlinie 1999/5/EG befindet". (BMW)

Das Produkt *Sierra Wireless MC8755 PCI Express MiniCard* ist für die Verbindung zu den VODAPHONE-Services *Vodafone Mobile Connect* in Großbritannien, Deutschland, Frankreich, Irland, den Niederlanden, Spanien, Italien, Portugal und Griechenland vorgesehen.

- Hiermit erklärt Sierra Wireless die Übereinstimmung des Gerätes *Sierra Wireless MC8755 PCI Express MiniCard* mit den grundlegenden Anforderungen und den anderen relevanten Festlegungen der Richtlinie 1999/5/EG. (Wien)

Das Produkt *Sierra Wireless MC8755 PCI Express MiniCard* ist für die Verbindung zu den VODAPHONE-Services *Vodafone Mobile Connect* in Großbritannien, Deutschland, Frankreich, Irland, den Niederlanden, Spanien, Italien, Portugal und Griechenland vorgesehen.

- ME THN ΠΑΡΟΥΣΙΑ *Sierra Wireless ΔΗΛΩΝΕΙ ΟΤΙ Sierra Wireless MC8755 PCI Express MiniCard ΣΥΜΜΟΡΦΩΝΕΤΑΙ ΠΡΟΣ ΤΙΣ ΟΥΣΙ ΩΔΕΙΣ ΑΠΑΙΤΗΣΕΙΣ ΚΑΙ ΤΙΣ ΛΟΙΠΕΣ ΣΧΕΤΙΚΕΣ ΔΙΑΤΑΞΕΙΣ ΤΗΣ ΟΔΗΓΙΑΣ 1999/5/ΕΚ*

Το προϊόν ***Sierra Wireless MC8755 PCI Express MiniCard***

χρησιμοποιείται για τη σύνδεση στις υπηρεσίες

***Vodafone Mobile Connect*** της Vodafone στις

ακόλουθες χώρες: Ηνωμένο Βασίλειο, Γερμανία, Γαλλία, Ιρλανδία, Ολλανδία, Ισπανία, Ιταλία, Πορτογαλία και Ελλάδα.

- Con la presente Sierra Wireless dichiara che questo *Sierra Wireless MC8755 PCI Express MiniCard* è conforme ai requisiti essenziali ed alle altre disposizioni pertinenti stabilite dalla direttiva 1999/5/CE.

Il prodotto *Sierra Wireless MC8755 PCI Express MiniCard VODAPHONE Vodafone Mobile Connect* nel Regno Unito, in Germania, in Francia, in Irlanda, nei Paesi Bassi, in Spagna, in Italia, in Portogallo e in Grecia.

- Por medio de la presente Sierra Wireless declara que el *Sierra Wireless MC8755 PCI Express MiniCard* cumple con los requisitos esenciales y cualesquiera otras disposiciones aplicables o exigibles de la Directiva 1999/5/CE

El producto *Sierra Wireless MC8755 PCI Express MiniCard* sirve para conectarse con los servicios de *VODAPHONE Vodafone Mobile Connect* en el Reino Unido, Alemania, Francia, Irlanda, Holanda, España, Italia, Portugal y Grecia.

- Sierra Wireless lýsir her með yfir að thessi bunadur, *Sierra Wireless MC8755 PCI Express MiniCard*, uppfyllir allar grunnkrofur, sem gerðar eru í R&TTE tilskipun ESB nr 1999/5/EC.

Búnaðurinn *Sierra Wireless MC8755 PCI Express MiniCard* er til að tengjast *VODAPHONE þjónustunni Vodafone Mobile Connect* í Bretlandi, Þýskalandi, Frakklandi, Írlandi, Hollandi, Spáni, Ítalíu, Portúgal og Grikklandi.

- Sierra Wireless tímto prohlašuje, že *Sierra Wireless MC8755 PCI Express MiniCard* je ve shodě se základními požadavky a s dalšími příslušnými ustanoveními Nařízení 1999/5/ES.  
Produkt *Sierra Wireless MC8755 PCI Express MiniCard* slouží pro připojení ke službám *Vodafone Mobile Connect* poskytovaným společností VODAPHONE ve Spojeném království, Německu, Francii, Irsku, Nizozemsku, Španělsku, Itálii, Portugalsku a Řecku.
- Sierra Wireless ezennel kijelenti, hogy ez a *Sierra Wireless MC8755 PCI Express MiniCard* termék megfelel az alapvető követelményeknek és az 1999/5/EC irányelv más vonatkozó rendelkezéseinek.  
A kártya *Sierra Wireless MC8755 PCI Express MiniCard* kapcsolódik a VODAPHONE szolgáltatások Egyesült Királyságban, Németországban, Franciaországban, Írországban, Hollandiában, Spanyolországban, Olaszországban, Portugáliában és Görögországban *Vodafone Mobile Connect*.
- Käesolevaga kinnitab Sierra Wireless seadme *Sierra Wireless MC8755 PCI Express MiniCard* vastavust direktiivi 1999/5/EÜ põhinõuetele ja nimetatud direktiivist tulenevatele teistele asjakohastele sätetele.  
Toode *Sierra Wireless MC8755 PCI Express MiniCard* on ette nähtud VODAPHONE'i teenuste *Vodafone Mobile Connect* kasutamiseks Suurbritannias, Saksamaal, Prantsusmaal, Iirimaal, Hollandis, Hispaanias, Itaalias, Portugalis ja Kreekas.
- Ar šo Sierra Wireless deklarē, ka *Sierra Wireless MC8755 PCI Express MiniCard* atbilst Direktīvas 1999/5/EK būtiskajām prasībām un citiem ar to saistītajiem noteikumiem.  
Produkts *Sierra Wireless MC8755 PCI Express MiniCard* ir paredzēts savienojumu veidošanai ar VODAPHONE pakalpojumiem *Vodafone Mobile Connect* Lielbritānijā, Vācijā, Francijā, Īrijā, Nīderlandē, Spānijā, Itālijā, Portugālē un Grieķijā.

- Sierra Wireless deklaruje, kad irenginys *Sierra Wireless MC8755 PCI Express MiniCard* tenkina 1999/5/EB Direktyvos esminius reikalavimus ir kitas šios direktyvos nuostatas.

Produktas *Sierra Wireless MC8755 PCI Express MiniCard* yra skirtas prisijungti prie VODAPHONE paslaugų *Vodafone Mobile Connect* Jungtinėje Karalystėje, Vokietijoje, Prancūzijoje, Airijoje, Nyderlanduose, Ispanijoje, Italijoje, Portugalijoje ir Graikijoje.

- Sierra Wireless, deklaruojame su pilna atsakomybe, kad gamtas *Sierra Wireless MC8755 PCI Express MiniCard* spėnia pagrindines reikalavimas ir atitinka sąlygas, kurios yra apibrėžtos direktyvoje 1999/5/EC.

Produktas *Sierra Wireless MC8755 PCI Express MiniCard* tarnauja do naudojimo su paslaugomis VODAPHONE *Vodafone Mobile Connect* v Didžiojoje Britanijoje, Vokietijoje, Prancūzijoje, Airijoje, Nyderlanduose, Ispanijoje, Italijoje, Portugalijoje ir Graikijoje.

- Sierra Wireless šiuo pareiškimu, kad šis *Sierra Wireless MC8755 PCI Express MiniCard* atitinka technines reikalavimas ir kitas sąlygas, kurios yra apibrėžtos direktyvoje 1999/5/ES, kurios taikomos šiam gamtos gamybai.

*Sierra Wireless MC8755 PCI Express MiniCard* gamtas tarnauja do prijungimo k *Vodafone Mobile Connect* VODAPHONE v UK, Vokietijoje, Prancūzijoje, Airijoje, Nyderlanduose, Ispanijoje, Italijoje, Portugalijoje ir Graikijoje.

- Šis dokumentas Sierra Wireless, pareiškia, kad šis *Sierra Wireless MC8755 PCI Express MiniCard* atitinka reikalavimas ir kitas sąlygas, kurios yra apibrėžtos direktyvoje 1999/5/EC.

Šio gamtos gamtas yra susijęs su *Vodafone Mobile Connect* VODAPHONE v Didžiojoje Britanijoje, Vokietijoje, Prancūzijoje, Airijoje, Nyderlanduose, Ispanijoje, Italijoje, Portugalijoje ir Graikijoje.

## **Trademarks**

The following terms are trademarks of Lenovo in the United States, other countries, or both:

Lenovo  
ThinkPad

IBM is a trademark of International Business Machines Corporation in the United States, other countries, or both, and is used under license.

Other company, product, and service names may be trademarks or service marks of others.