

# TEST REPORT

**REPORT NUMBER: I11GC6181-FCC-RF**

**ON**

**Type of Equipment:** Wireless Modules  
**Type of Designation:** MC7700  
**Manufacturer:** Sierra Wireless Inc.

**ACCORDING TO**

**FCC CFR Part 2, FREQUENCY ALLOCATIONS AND RADIO TREATY MATTERS; GENERAL RULES AND REGULATIONS, Oct 1, 2009**

**PART 22, PUBLIC MOBILE SERVICES, Oct 1, 2009**

**PART 24, PERSONAL COMMUNICATIONS SERVICES, Oct 1, 2009**

**PART 27, MISCELLANEOUS WIRELESS COMMUNICATIONS SERVICES, Oct 1, 2009**

**China Telecommunication Technology Labs.**

*Month date, year*

*May, 17, 2011*

*Signature*



He Guili  
Director

**FCC ID:** N7NMC7700

**Report Date:** 2011-05-17

**Test Firm Name:** China Telecommunication Technology Labs

**Registration Number:** 840587

#### Statement

The measurements shown in this report were made in accordance with the procedures described on test pages. All reported tests were carried out on a sample equipment to demonstrate limited compliance with FCC CFR 47 Parts 2, 22, 24 and 27. The sample tested was found to comply with the requirements defined in the applied rules.

## CONTENTS

<b>1 GENERAL INFORMATION .....</b>	<b>4</b>
1.1 NOTES .....	4
1.2 TESTERS .....	5
1.3 TESTING LABORATORY INFORMATION .....	6
1.4 DETAILS OF APPLICANT OR MANUFACTURER .....	7
<b>2 TEST ITEM .....</b>	<b>8</b>
2.1 GENERAL INFORMATION .....	8
2.2 OUTLINE OF EUT .....	8
2.3 MODIFICATIONS INCORPORATED IN EUT .....	8
2.4 EQUIPMENT CONFIGURATION .....	8
2.5 OTHER INFORMATION .....	8
<b>3 SUMMARY OF TEST RESULTS .....</b>	<b>9</b>
<b>4 TEST RESULTS .....</b>	<b>10</b>
4.1 RADIATED SPURIOUS EMISSION .....	10
<b>ANNEX A EXTERNAL PHOTOS .....</b>	<b>20</b>
<b>ANNEX B INTERNAL PHOTOS .....</b>	<b>21</b>
<b>ANNEX C DEVIATIONS FROM PRESCRIBED TEST METHODS .....</b>	<b>22</b>

## 1 General Information

### 1.1 Notes

All reported tests were carried out on a sample equipment to demonstrate limited compliance with FCC CFR 47 Parts 2, 22, 24 and 27.

The test results of this test report relate exclusively to the item(s) tested as specified in section 2.

The following deviation from, additions to, or exclusions from the test specifications have been made. See Annex C.


China Telecommunication Technology Labs.(CTTL) authorizes the applicant or manufacturer (see section 1.4) to reproduce this report provided, and the test report may only be reproduced or published in full. Reproduction or publication of extracts from the report requires the prior written approval of CTTL Mr. He Guli.

Any use which a third party makes of this report, or any reliance on or decisions to be made based on it, are the responsibility of such third parties. CTTL accepts no responsibility for damages, if any, suffered by any third party as a result of decisions made or actions based on this report.


FCC Parts 2, 22, 24, 27  
Equipment: MC7700

REPORT NO.: I11GC6181-FCC-RF

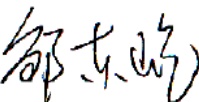
## 1.2 Testers

Name: Pan Yang  
Position: Engineer  
Department: Department of EMC test  
Duration of the test: 2011-05-10  
Signature: 

Editor of this test report:

Name: Pan Yang  
Position: Engineer  
Department: Department of EMC test  
Date: 2011-05-17  
Signature: 

Technical responsibility for area of testing:

Name: Zou Dongyi  
Position: Manager  
Department: Department of EMC test  
Date: 2011-05-17  
Signature: 

### 1.3 Testing Laboratory information

#### 1.3.1 Location

Name: China Telecommunication Technology Labs.  
Address: No. 11, Yue Tan Nan Jie, Xi Cheng District  
BEIJING  
P. R. CHINA, 100083  
Tel: +86 10 68094053  
Fax: +86 10 68011404  
Email: emc@chinattl.com

#### 1.3.2 Details of accreditation status

Accredited by: China National Accreditation Service for Conformity  
Assessment (CNAS)  
Registration number: CNAS Registration No. CNAS L0570  
Standard: ISO/IEC 17025:2005

#### 1.3.3 Test location, where different from section 1.3.1

Name: -----  
Street: -----  
City: -----  
Country: -----  
Telephone: -----  
Fax: -----  
Postcode: -----

## 1.4 Details of applicant or manufacturer

### 1.4.1 Applicant

Name: Sierra Wireless Inc.  
Address: 13811, Wireless Way, Richmond, British Columbia  
Country: Canada  
Telephone: --  
Fax: --  
Contact: --  
Telephone: --  
Email: --

### 1.4.2 Manufacturer (if different from applicant in section 1.4.1)

Name: --  
Address: --  
City: --  
Country: --

### 1.4.3 Manufactory (if different from applicant in section 1.4.1)

Name: --  
Address: --  
City: --  
Country: --

## 2 Test Item

### 2.1 General Information

Manufacturer: Sierra Wireless Inc.  
 Name: Wireless modules  
 Model Number: MC7700  
 Serial Number: --  
 Production Status: Production  
 Receipt date of test item: 2011-04-25

### 2.2 Outline of EUT

EUT is a model supporting GSM/GPRS/EGPRS 850/1900, WCDMA/HSDPA/HSUPA FDD II/V and LTE 700/1700 MHz bands.

### 2.3 Modifications Incorporated in EUT

The EUT has not been modified from what is described by the brand name and unique type identification stated above.

### 2.4 Equipment Configuration

Equipment configuration list:

Item	Generic Description	Manufacturer	Type	Serial No.	Remarks
A	Wireless modules	Sierra Wireless Inc.	MC7700	--	None

Cables:

Item	Cable Type	Manufacturer	Length	Shield	Quantity	Remarks
1	--	--	--	--	--	--

### 2.5 Other Information

-----



### 3 Summary of Test Results

A brief summary of the tests carried out is shown as following.

Specification Clause	Name of Test	Result
2.1051,22.917, 24.238, 27.53	Radiated Spurious Emission	Pass
Note: The modes of GSM/GPRS/EGPRS 850/1900, WCDMA/HSDPA/HSUPA FDD II/V and LTE 700/1700MHz bands have been tested.		

TTL Test Report

## 4 Test Results

### 4.1 Radiated Spurious Emission

<b>Specifications:</b>	2.1051, 22.917, 24.238, 27.53					
<b>Date of Tests</b>	2011-05-10					
<b>Test conditions:</b>	Ambient Temperature:15°C-35°C Relative Humidity:30%-60% Air pressure: 86-106kPa					
<b>Operation Mode</b>	TX on, channel 190 and 661 for GSM/GPRS/EGPRS mode, channel 4175 9400 for WCDMA/HSDPA/HSUPA mode, channel 23790 and 20175 for LTE 700/1700 MHz band.					
<b>Test Results:</b>	Pass					
<b>Test equipment Used:</b>						
Asset Number	Description	Manufacturer	Model Number	Serial Number	Cal Due	State
7805	EMI Test Receiver	R/S	ESI26	100211	2012-01-12	Normal
7330	Ultra Broadband Antenna	R/S	VULB 9160	vulb9160-3252	2013-09-05	Normal
7330	Double-Ridged Horn Antenna	R/S	HF906	100037	2014-01-23	Normal
713	Fully-Anechoic Chamber	ETS	11.8m×6.5m×6.3m	--	2013-11-16	Normal
7330-2	Radio Communications Analyzer	Anritsu	MT8820B	6200772659	2012-01-28	Normal
7330-3	Radio Communications Analyzer	Anritsu	MT8820C	6200773421	2012-03-14	Normal

#### Limit Level Construction:

##### Part 22:

According to Part 22.917(a), i.e., Out of band emissions, the power of any emission outside of the authorized operating frequency ranges must be attenuated below the transmitting power (P) by a factor of at least  $43 + 10 \log(P)$  dB, so the limit level is:

$$P(\text{dBm}) - (43 + 10 \log(P)) \text{ dB} = -13\text{dBm}$$

##### Part 24:

According to Part 24.238 (a), i.e., Out of band emissions, the power of any emission outside of the authorized operating frequency ranges must be attenuated below the transmitting power (P) by a factor of at least  $43 + 10 \log(P)$  dB, so the limit level is:

$$P(\text{dBm}) - (43 + 10 \log(P)) \text{ dB} = -13\text{dBm}$$

##### Part 27:

According to the Part 27.53, for the 700/1700 MHz band, the emission power of any emission outside of the authorized operating frequency ranges must be attenuated below the transmitting power (P) by a factor of at least  $43 + 10 \log(P)$  dB, so the limit level is:

$$P(\text{dBm}) - (43 + 10 \log(P)) \text{ dB} = -13\text{dBm}$$

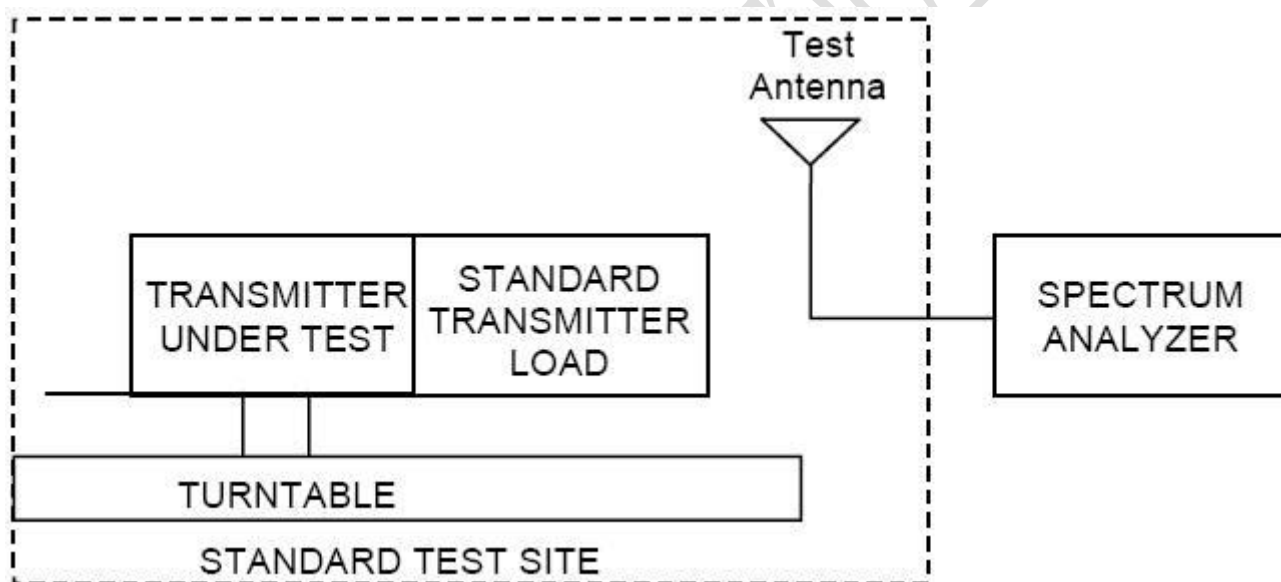
**Test Setup:**

The EUT was placed in an anechoic chamber. The Wireless Communications Test Set was used to set the TX channel and power level and modulate the TX signal with different bit patterns.

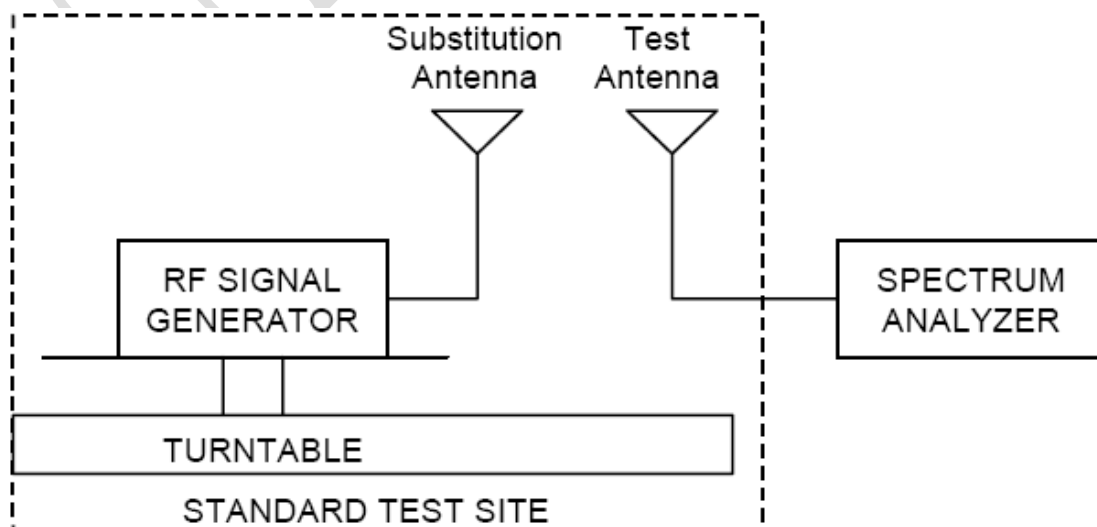
**Test Method:**

The measurement method is substitution method accordance with section 2.2.12 of ANSI/TIA-603-C: *Land Mobile FM or PM Communications Equipment Measurement and Performance Standards*.

(a) Connect the equipment as illustrated and measure the spurious emissions as the method as above.



(b) Reconnect the equipment as illustrated.



(c) Remove the transmitter and replace it with a substitution antenna. The center of the substitution antenna should be approximately at the same location as the center of the transmitter.

(d) Feed the substitution antenna at the transmitter end with a signal generator connected to the antenna by means of a non-radiating cable. With the antennas at both ends horizontally polarized, and with the signal generator tuned to a particular spurious frequency, raise and lower the test antenna to obtain a maximum reading at the spectrum analyzer. Adjust the level of the signal generator output until the previously recorded maximum reading for this set of conditions is obtained. This should be done carefully repeating the adjustment of the test antenna and generator output.

(e) Repeat step d) with both antennas vertically polarized for each spurious frequency.

(f) Calculate power in dBm into a reference ideal half-wave dipole antenna by reducing the readings obtained in steps d) and e) by the power loss in the cable between the generator and the antenna, and further corrected for the gain of the substitution antenna used relative to an ideal half-wave dipole antenna by the following formula:

$$P_d(\text{dBm}) = P_g(\text{dBm}) - \text{cable loss (dB)} + \text{antenna gain (dB)}$$

where:

$P_d$  is the dipole equivalent power and

$P_g$  is the generator output power into the substitution antenna.

**Test Data (GSM channel 190)**

Frequency [GHz]	Generator output power( $P_g$ ) [dBm]	Cable loss [dB]	Antenna Gain [dB]	Spurious Emission Power ( $P_d$ ) [dBm]	Antenna Polarization [H/V]
1673.747495	-62.1	1.8	8.6	-55.30	V
2509.843687	-61.53	4.0	10	-55.53	V
3346.939880	-63.52	5.5	9.9	-59.12	V
4183.162325	-62.4	7.1	9.8	-59.70	V
5019.258517	-61.74	8.7	10	-60.44	V
5856.354709	-61.12	10.3	11.2	-60.22	V
1673.747495	-64.25	1.8	8.6	-57.45	H
2509.843687	-69.44	4.0	10	-62.44	H
3346.939880	-65.2	5.5	9.9	-60.80	H
4183.162325	-61.63	7.1	9.8	-58.93	H
5019.258517	-66.28	8.7	10	-61.98	H
5856.354709	-64.68	10.3	11.2	-63.78	H

**Test Data (GSM channel 661)**

Frequency [GHz]	Generator output power( $P_g$ ) [dBm]	Cable loss [dB]	Antenna Gain [dB]	Spurious Emission Power ( $P_d$ ) [dBm]	Antenna Polarization [H/V]
3760.080160	-61.36	6.3	9.8	-57.86	V
5640.893788	-61.48	9.6	10.9	-60.18	V
7520.038076	-60.43	12.8	11.4	-61.83	V
9400.513026	-55.37	16.7	12	-60.07	V
11280.326653	-56.23	22.6	13.4	-62.43	V
13160.140281	-52.85	30.9	13.4	-62.35	V
3760.080160	-62.12	6.3	9.8	-58.62	H
5640.893788	-65.62	9.6	10.9	-61.32	H
7520.038076	-59.65	12.8	11.4	-61.05	H
9400.513026	-55.1	16.7	12	-59.80	H
11280.326653	-46.49	22.6	13.4	-55.69	H
13160.140281	-52.38	30.9	13.4	-61.88	H

FCC Parts 2, 22, 24, 27  
Equipment: MC7700

REPORT NO.: I11GC6181-FCC-RF

**Test Data (GPRS channel 190)**

Frequency [GHz]	Generator output power( $P_g$ ) [dBm]	Cable loss [dB]	Antenna Gain [dB]	Spurious Emission Power ( $P_d$ ) [dBm]	Antenna Polarization [H/V]
1673.747495	-66.74	1.8	8.6	-57.24	V
2509.843687	-64.36	4.0	10	-58.06	V
3346.939880	-59.22	5.5	9.9	-60.62	V
4183.162325	-52.9	7.1	9.8	-57.60	V
5019.258517	-53.16	8.7	10	-62.36	V
5856.354709	-48.55	10.3	11.2	-61.05	V
1673.747495	-61.95	1.8	8.6	-58.45	H
2509.843687	-58.74	4.0	10	-57.44	H
3346.939880	-58.8	5.5	9.9	-60.20	H
4183.162325	-50.73	7.1	9.8	-55.43	H
5019.258517	-49.18	8.7	10	-58.38	H
5856.354709	-52.18	10.3	11.2	-61.68	H

**Test Data (GPRS channel 661)**

Frequency [GHz]	Generator output power( $P_g$ ) [dBm]	Cable loss [dB]	Antenna Gain [dB]	Spurious Emission Power ( $P_d$ ) [dBm]	Antenna Polarization [H/V]
3760.080160	-65.75	6.3	9.8	-62.25	V
5640.893788	-59.61	9.6	10.9	-58.31	V
7520.038076	-55.23	12.8	11.4	-56.63	V
9400.513026	-54.2	16.7	12	-58.90	V
11280.326653	-51.4	22.6	13.4	-60.60	V
13160.140281	-50.5	30.9	13.4	-63.00	V
3760.080160	-66.64	6.3	9.8	-63.14	H
5640.893788	-57.03	9.6	10.9	-55.73	H
7520.038076	-55.48	12.8	11.4	-56.88	H
9400.513026	-54.02	16.7	12	-58.72	H
11280.326653	-52.07	22.6	13.4	-61.27	H
13160.140281	-50.58	30.9	13.4	-63.08	H

**Test Data (EGPRS channel 190)**

Frequency [GHz]	Generator output power( $P_g$ ) [dBm]	Cable loss [dB]	Antenna Gain [dB]	Spurious Emission Power ( $P_d$ ) [dBm]	Antenna Polarization [H/V]
1673.747495	-62.04	1.8	8.6	-55.24	V
2509.843687	-60.06	4.0	10	-54.06	V
3346.939880	-66.92	5.5	9.9	-62.52	V
4183.162325	-59.2	7.1	9.8	-56.50	V
5019.258517	-64.66	8.7	10	-63.36	V
5856.354709	-65.55	10.3	11.2	-62.65	V
1673.747495	-64.15	1.8	8.6	-57.35	H
2509.843687	-71.54	4.0	10	-65.54	H
3346.939880	-67	5.5	9.9	-62.60	H
4183.162325	-65.93	7.1	9.8	-63.23	H
5019.258517	-60.68	8.7	10	-59.38	H
5856.354709	-57.58	10.3	11.2	-56.68	H

**Test Data (EGPRS channel 661)**

Frequency [GHz]	Generator output power( $P_g$ ) [dBm]	Cable loss [dB]	Antenna Gain [dB]	Spurious Emission Power ( $P_d$ ) [dBm]	Antenna Polarization [H/V]
3760.080160	-65.97	6.3	9.8	-58.47	V
5640.893788	-58.37	9.6	10.9	-57.07	V
7520.038076	-54.85	12.8	11.4	-56.25	V
9400.513026	-54.13	16.7	12	-58.83	V
11280.326653	-52.01	22.6	13.4	-61.21	V
13160.140281	-50.49	30.9	13.4	-62.99	V
3760.080160	-66.45	6.3	9.8	-62.95	H
5640.893788	-60.62	9.6	10.9	-59.32	H
7520.038076	-54.42	12.8	11.4	-55.82	H
9400.513026	-55.32	16.7	12	-60.02	H
11280.326653	-51.76	22.6	13.4	-60.96	H
13160.140281	-50.55	30.9	13.4	-62.05	H

**Test Data (WCDMA channel 4175)**

Frequency [GHz]	Generator output power( $P_g$ ) [dBm]	Cable loss [dB]	Antenna Gain [dB]	Spurious Emission Power ( $P_d$ ) [dBm]	Antenna Polarization [H/V]
1670.747495	-62.14	1.8	8.6	-55.34	V
2505.843687	-60.42	4.0	10	-54.42	V
3340.939880	-65	5.5	9.9	-60.60	V
4175.162325	-60.35	7.1	9.8	-57.65	V
5010.258517	-66.15	8.7	10	-61.85	V
5845.354709	-64.36	10.3	11.2	-62.46	V
1670.747495	-73.09	1.8	8.6	-62.29	H
2505.843687	-69.94	4.0	10	-63.94	H
3340.939880	-65.13	5.5	9.9	-60.73	H
4175.162325	-61.35	7.1	9.8	-58.65	H
5010.258517	-66.61	8.7	10	-65.31	H
5845.354709	-64.82	10.3	11.2	-63.92	H

**Test Data (WCDMA channel 9400)**

Frequency [GHz]	Generator output power( $P_g$ ) [dBm]	Cable loss [dB]	Antenna Gain [dB]	Spurious Emission Power ( $P_d$ ) [dBm]	Antenna Polarization [H/V]
3760.080160	-60.05	6.3	9.8	-56.55	V
5640.893788	-58.78	9.6	10.9	-57.48	V
7520.038076	-61.24	12.8	11.4	-62.64	V
9400.513026	-54.78	16.7	12	-59.48	V
11280.326653	-52.17	22.6	13.4	-61.37	V
13160.140281	-50.11	30.9	13.4	-62.61	V
3760.080160	-65.93	6.3	9.8	-62.43	H
5640.893788	-59.17	9.6	10.9	-57.87	H
7520.038076	-61.47	12.8	11.4	-62.87	H
9400.513026	-55.69	16.7	12	-60.39	H
11280.326653	-51.55	22.6	13.4	-60.75	H
13160.140281	-49.88	30.9	13.4	-62.38	H



**Test Data (HSDPA channel 4175)**

Frequency [GHz]	Generator output power( $P_g$ ) [dBm]	Cable loss [dB]	Antenna Gain [dB]	Spurious Emission Power ( $P_d$ ) [dBm]	Antenna Polarization [H/V]
1670.747495	-63.31	1.8	8.6	-56.51	V
2505.843687	-69.71	4.0	10	-63.71	V
3340.939880	-64.43	5.5	9.9	-60.03	V
4175.162325	-61.04	7.1	9.8	-58.34	V
5010.258517	-61.62	8.7	10	-60.32	V
5845.354709	-64.17	10.3	11.2	-63.27	V
1670.747495	-62.52	1.8	8.6	-55.72	H
2505.843687	-67.06	4.0	10	-61.06	H
3340.939880	-65.35	5.5	9.9	-60.95	H
4175.162325	-60.38	7.1	9.8	-57.68	H
5010.258517	-64.08	8.7	10	-62.78	H
5845.354709	-62.99	10.3	11.2	-62.09	H

**Test Data (HSDPA channel 9400)**

Frequency [GHz]	Generator output power( $P_g$ ) [dBm]	Cable loss [dB]	Antenna Gain [dB]	Spurious Emission Power ( $P_d$ ) [dBm]	Antenna Polarization [H/V]
3760.080160	-60.53	6.3	9.8	-57.03	V
5640.893788	-59.61	9.6	10.9	-58.31	V
7520.038076	-58.87	12.8	11.4	-60.27	V
9400.513026	-54.94	16.7	12	-59.64	V
11280.326653	-51.01	22.6	13.4	-60.21	V
13160.140281	-50.48	30.9	13.4	-62.98	V
3760.080160	-66.09	6.3	9.8	-62.59	H
5640.893788	-59.14	9.6	10.9	-57.84	H
7520.038076	-56.98	12.8	11.4	-58.38	H
9400.513026	-54.56	16.7	12	-59.26	H
11280.326653	-52.36	22.6	13.4	-61.56	H
13160.140281	-50.77	30.9	13.4	-63.27	H

**Test Data (HSUPA channel 4175)**

Frequency [GHz]	Generator output power( $P_g$ ) [dBm]	Cable loss [dB]	Antenna Gain [dB]	Spurious Emission Power ( $P_d$ ) [dBm]	Antenna Polarization [H/V]
1670.747495	-63.03	1.8	8.6	-56.23	V
2505.843687	-62.06	4.0	10	-56.06	V
3340.939880	-64.85	5.5	9.9	-60.45	V
4175.162325	-60.56	7.1	9.8	-57.86	V
5010.258517	-61.9	8.7	10	-60.60	V
5845.354709	-60.54	10.3	11.2	-59.64	V
1670.747495	-63.93	1.8	8.6	-57.13	H
2505.843687	-64.53	4.0	10	-58.53	H
3340.939880	-65.97	5.5	9.9	-61.57	H
4175.162325	-61.9	7.1	9.8	-59.20	H
5010.258517	-61.52	8.7	10	-60.22	H
5845.354709	-60.51	10.3	11.2	-59.61	H

**Test Data (HSUPA channel 9400)**

Frequency [GHz]	Generator output power( $P_g$ ) [dBm]	Cable loss [dB]	Antenna Gain [dB]	Spurious Emission Power ( $P_d$ ) [dBm]	Antenna Polarization [H/V]
3760.080160	-58.65	6.3	9.8	-55.15	V
5640.893788	-59.24	9.6	10.9	-57.94	V
7520.038076	-60.29	12.8	11.4	-61.69	V
9400.513026	-53.7	16.7	12	-58.40	V
11280.326653	-51.84	22.6	13.4	-61.04	V
13160.140281	-50.02	30.9	13.4	-62.52	V
3760.080160	-65.84	6.3	9.8	-62.34	H
5640.893788	-59.78	9.6	10.9	-58.48	H
7520.038076	-56.17	12.8	11.4	-57.57	H
9400.513026	-55.2	16.7	12	-59.90	H
11280.326653	-51.04	22.6	13.4	-60.24	H
13160.140281	-51.48	30.9	13.4	-61.98	H

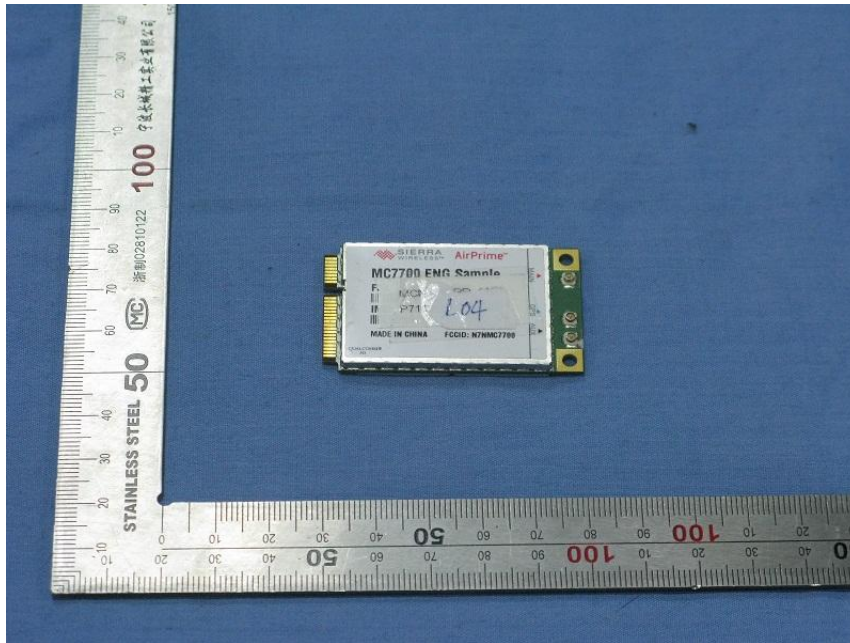
**Test Data (LTE 700 MHz band channel 23790)**

Frequency [GHz]	Generator output power( $P_g$ ) [dBm]	Cable loss [dB]	Antenna Gain [dB]	Spurious Emission Power ( $P_d$ ) [dBm]	Antenna Polarization [H/V]
1420.841683	-61.47	1.8	1.0	-54.67	V
2130.260521	-61.98	4.0	6.6	-55.98	V
2844.488978	-61.26	5.5	9.3	-56.86	V
3550.603206	-58.76	7.1	9.8	-56.06	V
4260.611222	-58.71	8.7	11.6	-57.41	V
4970.032064	-64.42	10.3	14.2	-61.52	V
1420.841683	-69.14	1.8	1.0	-62.34	H
2130.260521	-74.48	4.0	6.6	-61.48	H
2844.488978	-61.97	5.5	9.3	-57.57	H
3550.603206	-62.6	7.1	9.8	-59.90	H
4260.611222	-61.54	8.7	11.6	-60.24	H
4970.032064	-64.88	10.3	14.2	-61.98	H

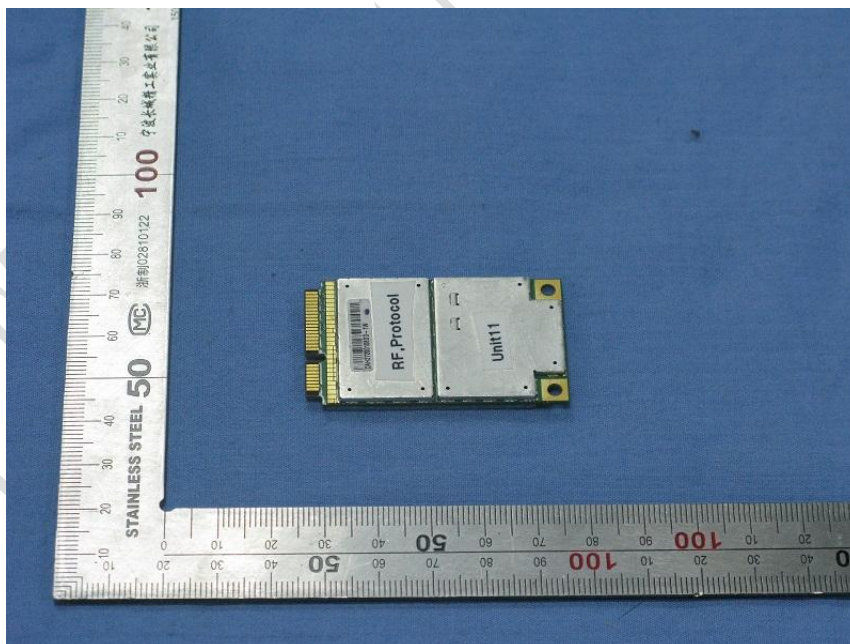
**Test Data (LTE 1700 MHz band channel 20175)**

Frequency [GHz]	Generator output power( $P_g$ ) [dBm]	Cable loss [dB]	Antenna Gain [dB]	Spurious Emission Power ( $P_d$ ) [dBm]	Antenna Polarization [H/V]
3465.603206	-61.24	6.3	9.8	-57.74	V
5197.500000	-59.87	9.6	10.9	-58.57	V
6930.611222	-62.27	12.8	11.4	-63.67	V
8662.667335	-51.34	16.7	12	-56.04	V
10395.032064	-50.93	22.6	13.4	-60.13	V
12127.635271	-49.02	30.9	13.4	-61.52	V
3465.603206	-64.77	6.3	9.8	-61.27	H
5197.500000	-63.65	9.6	10.9	-62.35	H
6930.611222	-61.75	12.8	11.4	-63.15	H
8662.667335	-57.72	16.7	12	-62.42	H
10395.032064	-49.1	22.6	13.4	-58.30	H
12127.635271	-49.61	30.9	13.4	-62.11	H

## Annex A External Photos

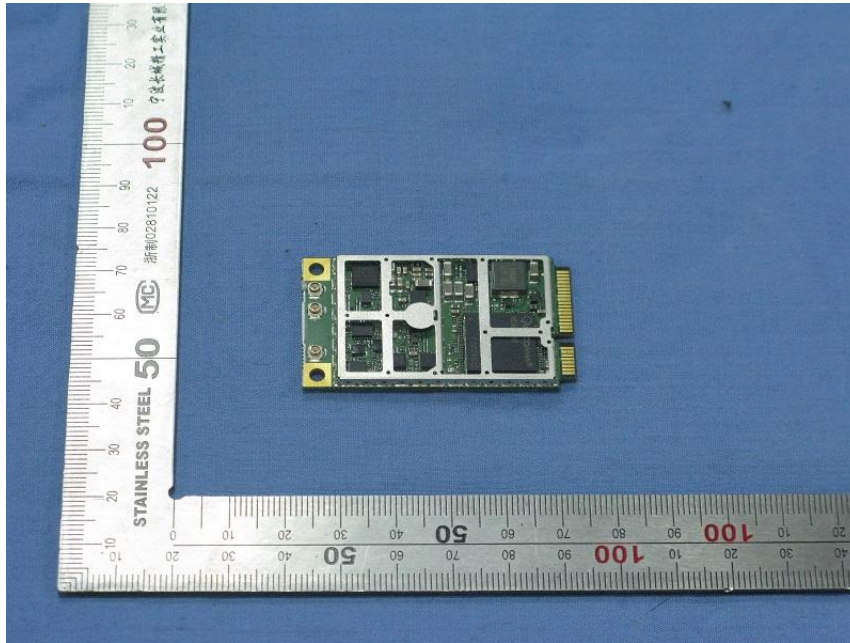


Front view

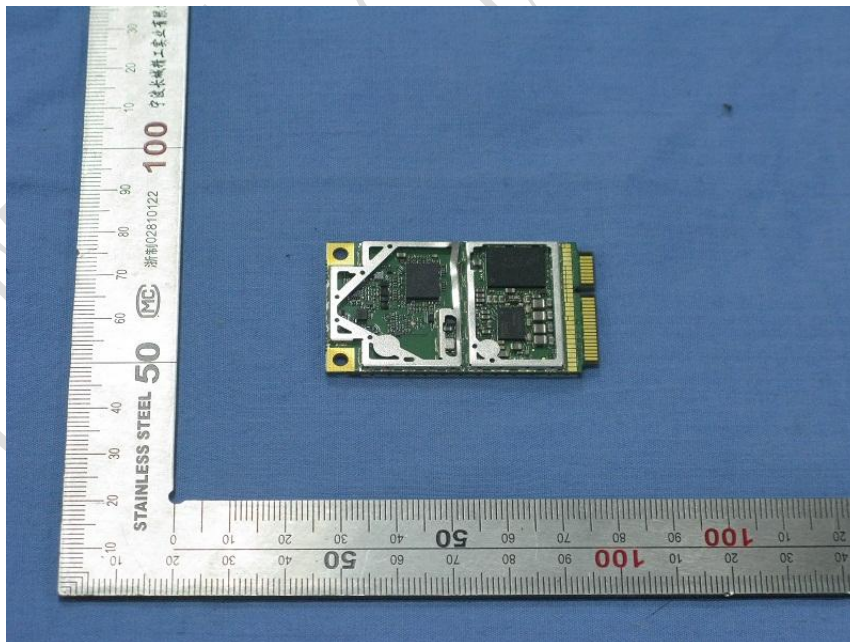


Back view

## Annex B Internal Photos



Main board (face)



Main board (back)

## ANNEX C Deviations from Prescribed Test Methods

No deviation from Prescribed Test Methods.

———— The End of this Report ————

*China Test Report*